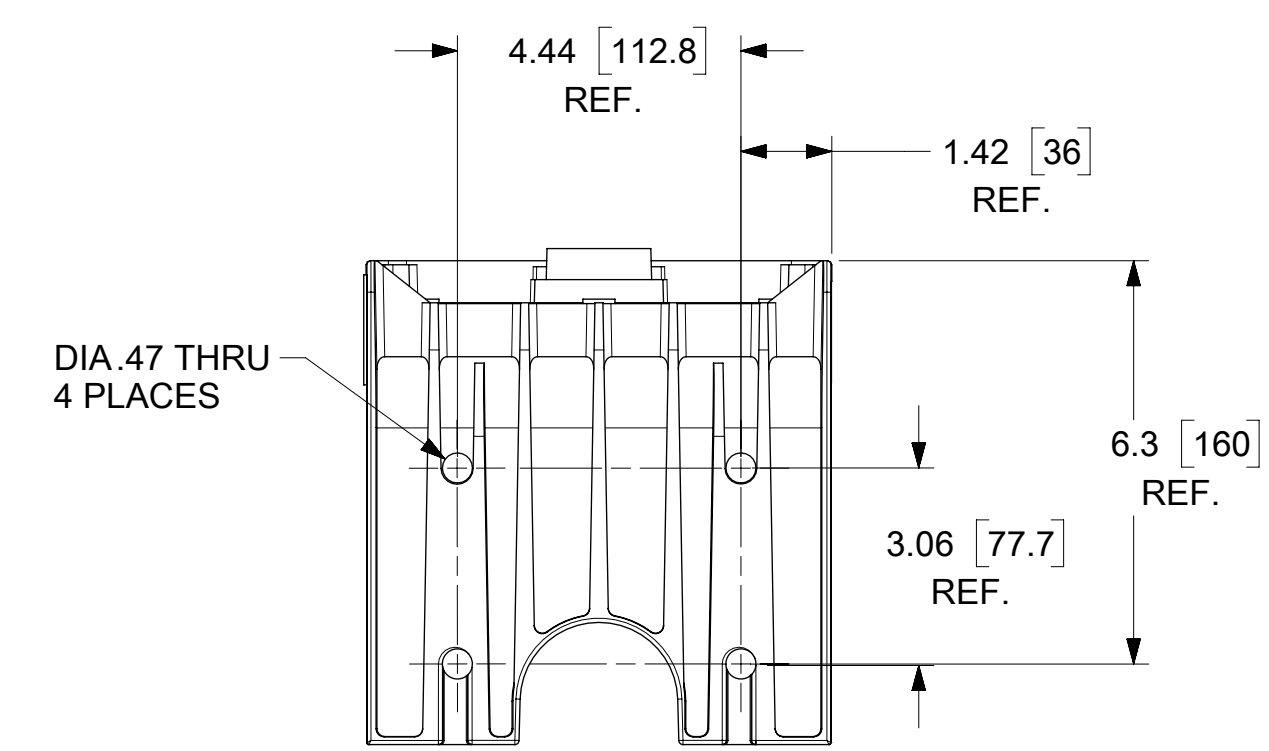
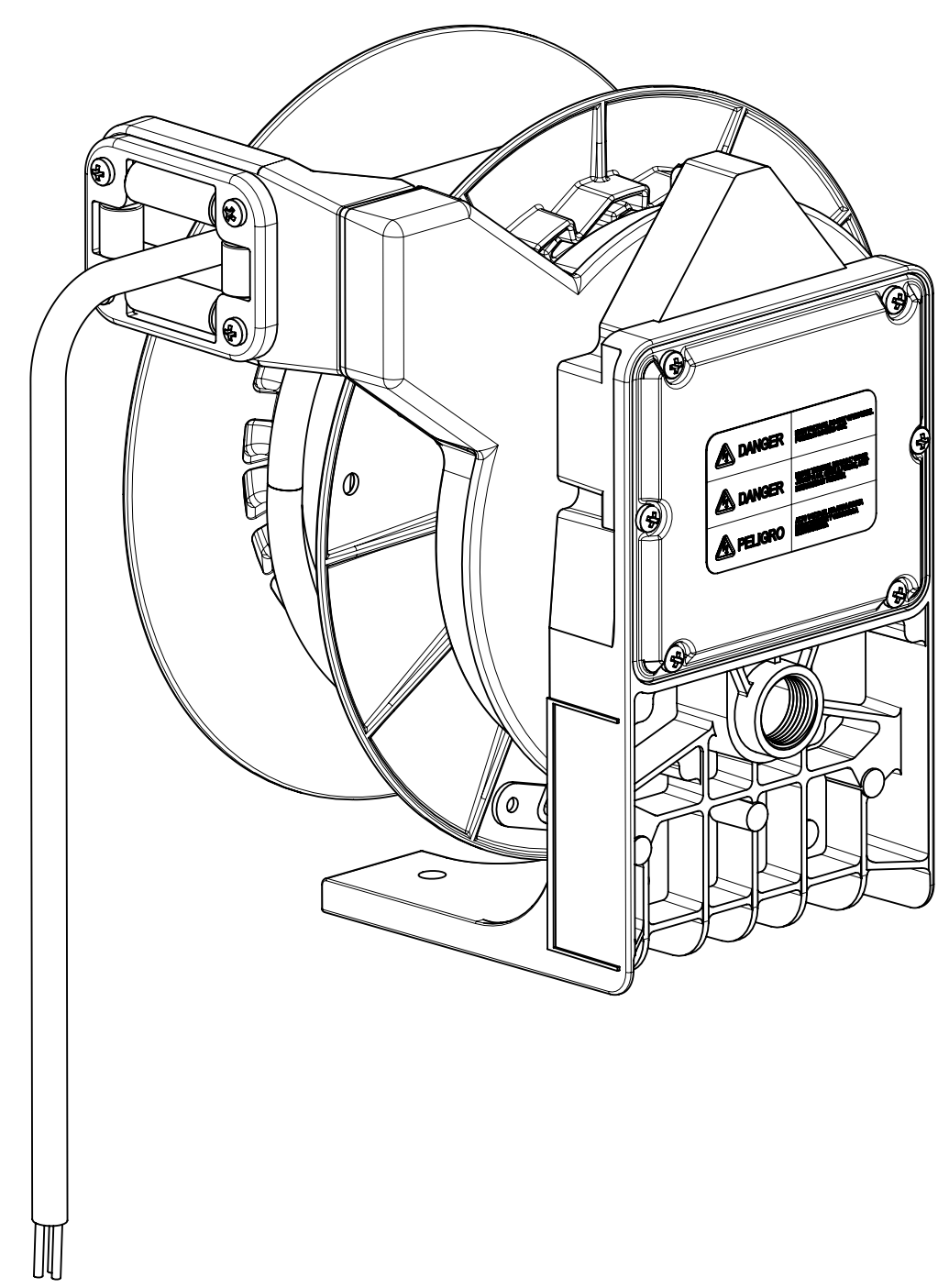
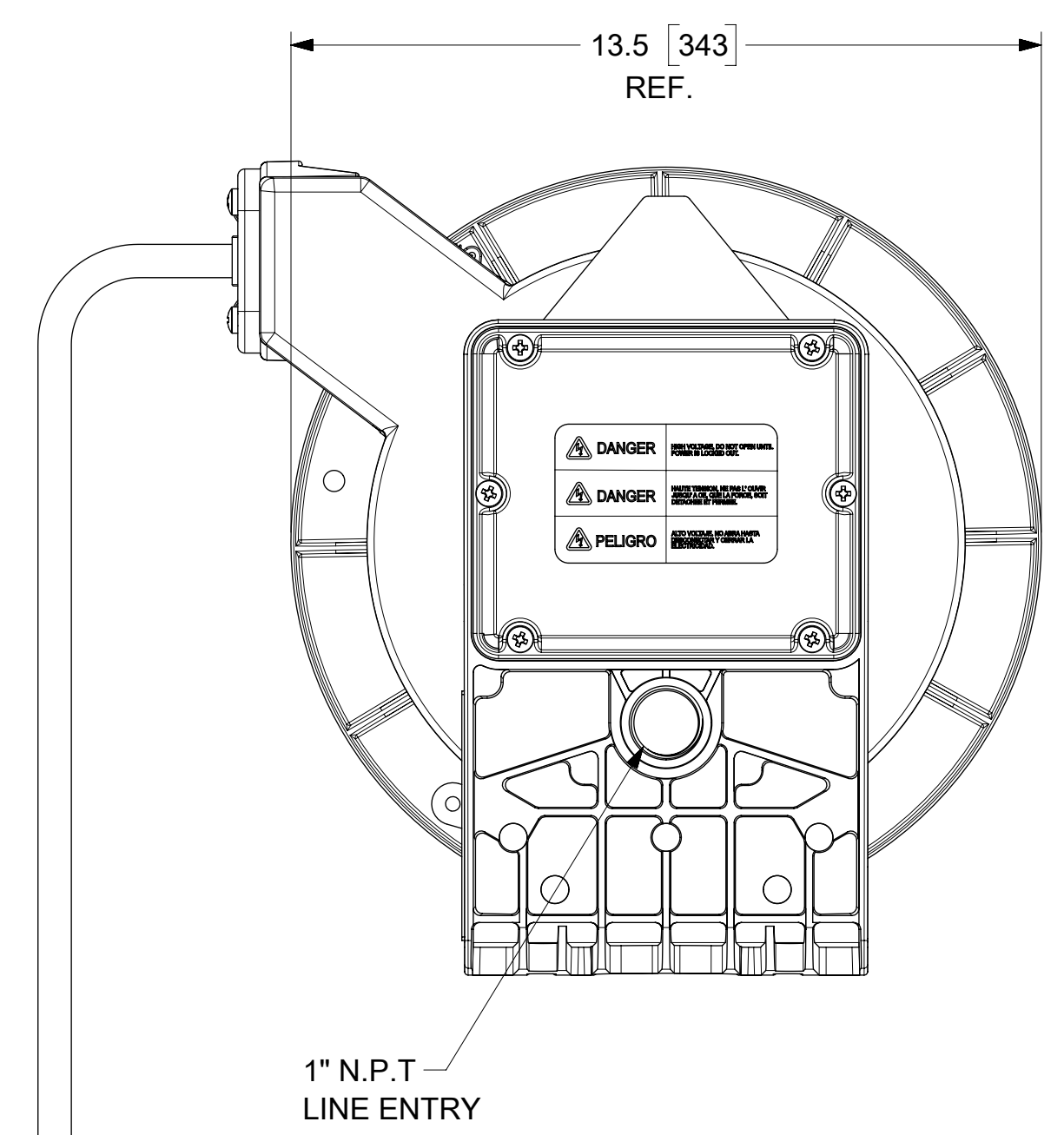
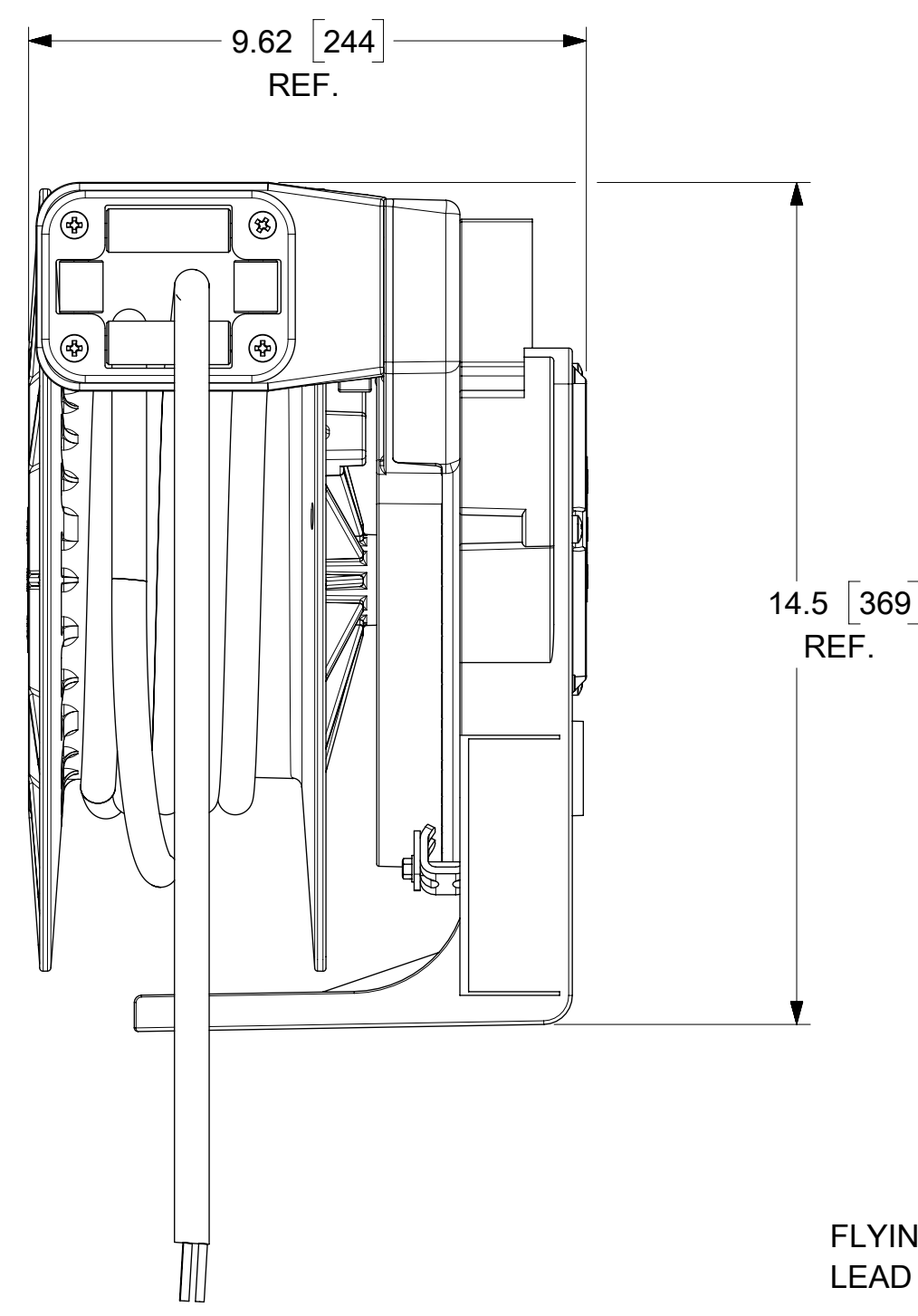


ORDER NO	130083-0262
WOODHEAD ENG. NO	9363
WIRE GAUGE	14
CONDUCTORS	4
AMPERAGE	11A
WORKING CORD	25 FT. YELLOW
CORD TYPE	SOOW
CONSTRUCTION	HEAVY WALL CAST ALUMINUM
PAINT	YELLOW POWDER COAT
REEL ENCLOSURE RATING	NEMA 4 INDOOR / OUTDOOR
RETRACTION WEIGHT	4.0 LB [1.8 KG]



**BOTTOM VIEW**

**NOTES:**

1. CABLE GUIDE IS ADJUSTABLE EVERY 5 DEGREES OVER 270 DEGREE ARC.
2. RATCHET LOCK IS EASY TO DISENGAGE FOR CONSTANT TENSION.
3. REEL CANNOT BE "LOCKED OUT" AT FULL EXTENSION.
4. BALL STOP IS OPTIONAL: ORDER No. 130226-4374 / WOODHEAD ENG. No. 9521

FUNCTIONAL SYMBOLS	THIS DRAWING CONTAINS INFORMATION THAT IS PROPRIETARY TO MOLEX ELECTRONIC TECHNOLOGIES, LLC AND SHOULD NOT BE USED WITHOUT WRITTEN PERMISSION			CURRENT REV DESC: RELEASE CUSTOMER DRAWING					
	DIMENSION UNITS	SCALE							
$F_A = 0$	INCH/MM	NTS		GENERAL TOLERANCES (UNLESS SPECIFIED)			<b>CABLE REEL - INDUSTRIAL DUTY 25' #14-4 SOOW</b>		
$F_C = 0$		MM	INCH						
$F_D = 0$	4 PLACES	±	±	EC NO: 674790 DRWN: VHANDI 2020/07/16 CHK'D: DSOPPIN 2022/05/06 APPR: HKNEELAND 2022/05/12			PRODUCT CUSTOMER DRAWING		
DIVISIONAL SYMBOLS	3 PLACES	±	± 0.005						
	2 PLACES	± 0.13	± 0.01	INITIAL REVISION: DRWN: VHANDI 2020/07/16 APPR: HKNEELAND 2022/05/12			DOCUMENT NUMBER <b>1300830262</b>		
	1 PLACE	± 0.25	± 0.02						
	0 PLACES	±	±	THIRD ANGLE PROJECTION 			DOC TYPE   DOC PART   REVISION PSD   000   A		
	ANGULAR TOL ± 0.5°								
	DRAFT WHERE APPLICABLE MUST REMAIN WITHIN DIMENSIONS			DRAWING C-SIZE			MATERIAL NUMBER SEE TABLE		
				SERIES 130083			CUSTOMER GENERAL MARKET		
				SHEET NUMBER 1 OF 1					