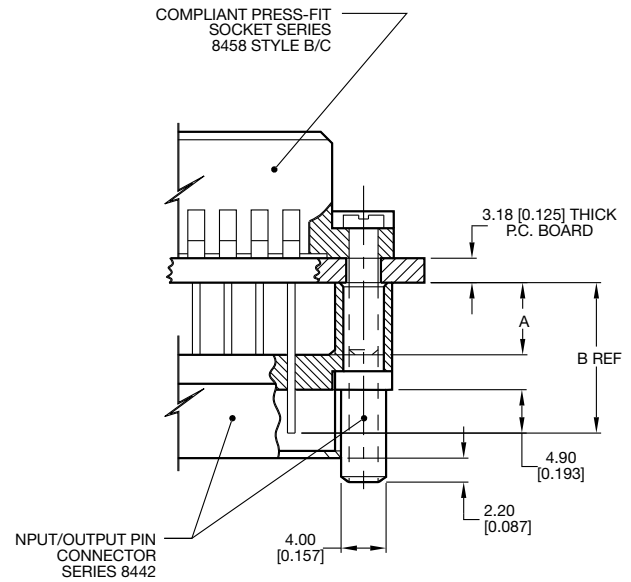
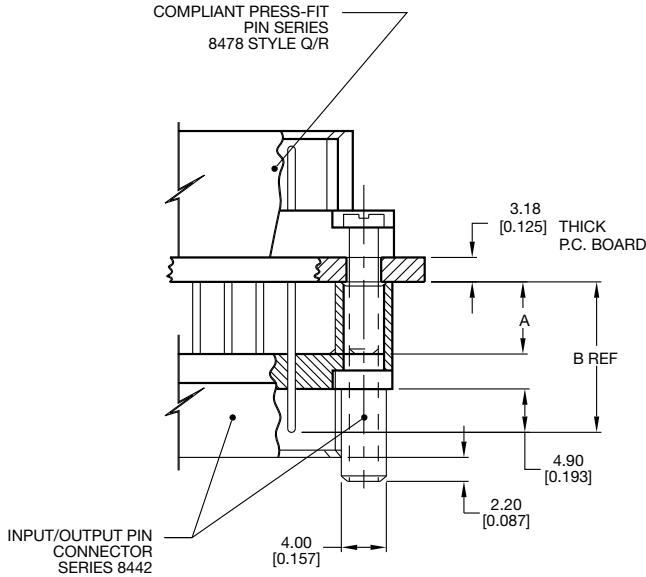
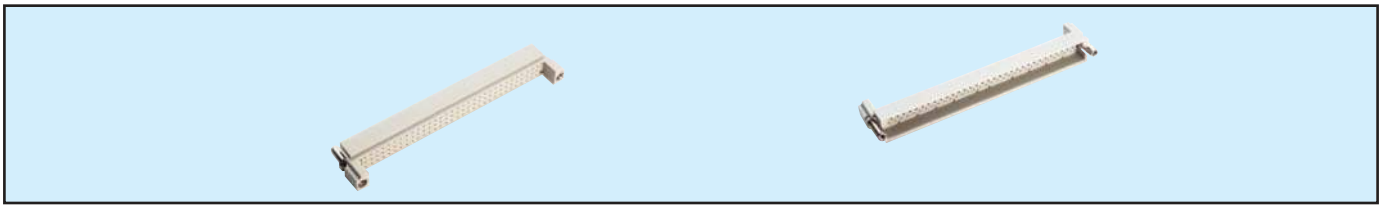


Input/Output Shroud



3 rows (3 x 32) or 4 rows (4 x 32)



SHROUD WITH LOCKING HARDWARE ORDERING CODE

Typical Example **00 8442 096 0X 0000**

Prefix

Series

Number of Contact Positions

No. of Positions	Contact Rows
96	3 (3 x 32)
128	4 (4 x 32)

Variation Code

A	B Ref.	Variation Code No.
2.00 (0.079)	13.20 (0.520)	01 0000
7.00 (0.276)	18.20 (0.716)	02 0000
12.00 (0.472)	23.20 (0.913)	03 0000



SHROUD WITHOUT LOCKING HARDWARE ORDERING CODE

Typical Example **60 8442 XXX4 00 000**

Prefix

Series

"B" Dimensions

No. of Positions	B Ref.	Variation Code No.
96	13.20 (0.520)	3014
96	18.20 (0.716)	3024
96	23.20 (0.913)	3034

Variation Code

Includes threaded bushing (M2.5 thread)