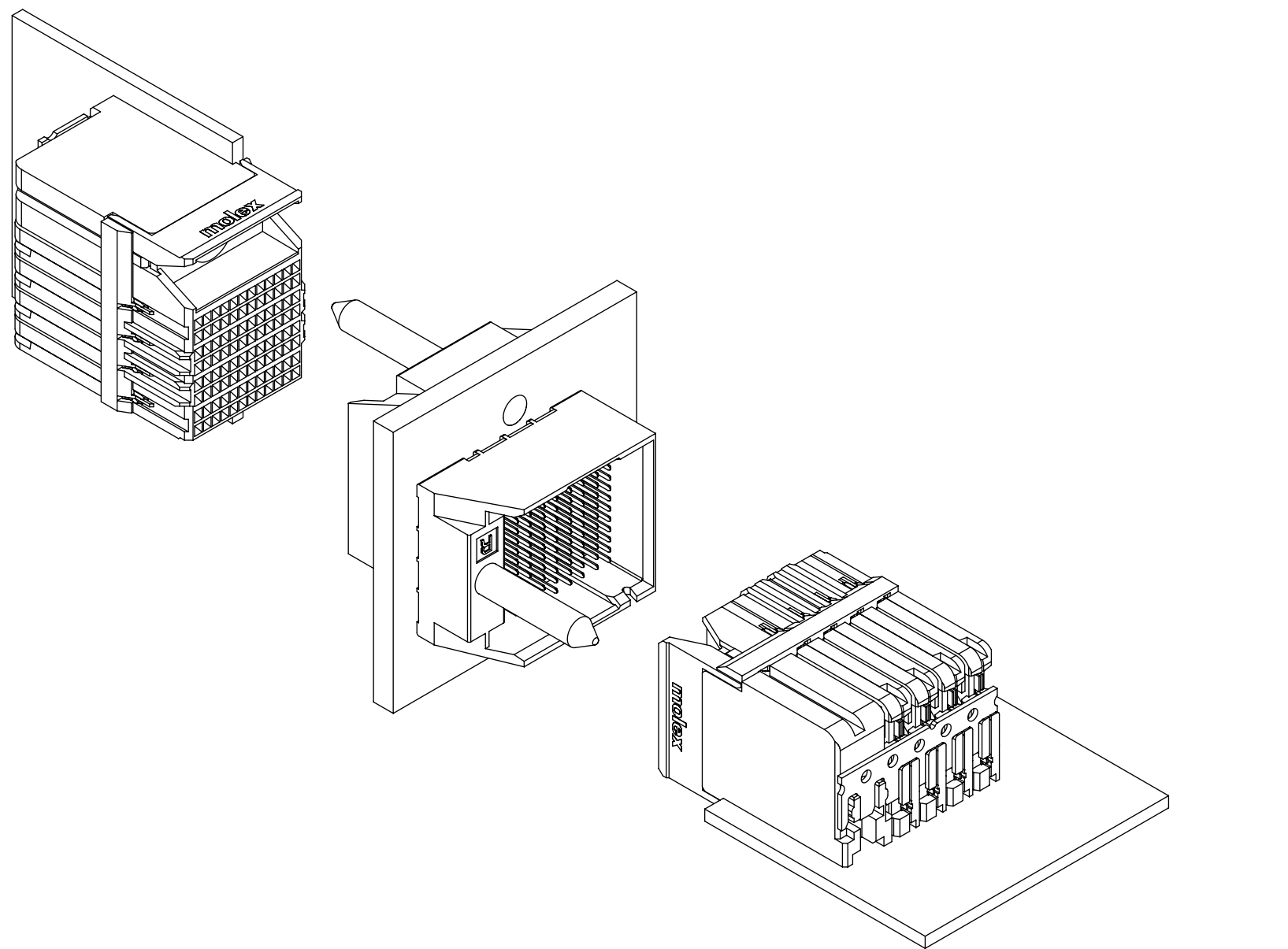


- NOTES:**
- MATERIALS: HOUSING - LIQUID CRYSTAL POLYMER (LCP) GLASS-FILLED, UL94V-0
TERMINALS - HIGH PERFORMANCE COPPER ALLOY
 - FINISH: 30μ MIN GOLD IN CONTACT AREA.
SELECTIVE TIN OR TIN-LEAD ON PCB TAILS.
NICKEL OVERALL.
 - REFER TO MOLEX PRODUCT SPECIFICATION PS-76060-999 FOR PERFORMANCE SPECIFICATIONS AND ADDITIONAL PCB INFORMATION.
 - THIS PART CONFORMS TO CLASS B REQUIREMENTS OF COSMETIC SPEC PS-45499-002.
 - PRODUCT IS PACKAGED PER PK-70873-764.
 - SEE SHEETS 2 AND 3 FOR PART NUMBERS AND ORTHOGONAL PIN MAPPING.
 - REFER TO MOLEX SALES DRAWING SD-76850-004 FOR THE MATING RECEPTACLES.
 - THE KEEP-OUT ZONE FOR THE PART LENGTH INCLUDES AN ADDITIONAL 1.0mm TO ACCOMMODATE FOR SPACE REQUIRED BY THE DAUGHTERCARD ASSEMBLY.
 - REFER TO MOLEX ROUTING GUIDE AS-76850-990 FOR ADDITIONAL PCB LAYOUT AND ROUTING RECOMMENDATIONS.
 - CONNECTORS ARE SUPPLIED WITH A 2-56 UNC-2A SCREW.
 - "THESE DIMENSIONS REPRESENT THE AREA NEEDED TO ACCOMODATE CONNECTOR INSERTION AND REPAIR ON THE PC BOARD. THIS DOES NOT REPRESENT THE ACTUAL PERIMETER OF THE CONNECTOR."

(ENDWALL VERSION SHOWN)

QUALITY SYMBOLS		THIS DRAWING CONTAINS INFORMATION THAT IS PROPRIETARY TO MOLEX ELECTRONIC TECHNOLOGIES, LLC AND SHOULD NOT BE USED WITHOUT WRITTEN PERMISSION			
▽ = 0	▽ = 0	REMASTERED TO NX EC NO: 123322 DRWN: NIMUNIVAKATA CHKD: PRAMASWAMY REV / APPR: PRAMASWAMY	GENERAL TOLERANCES (UNLESS SPECIFIED)		DIMENSION UNITS
▽ = 0	▽ = 0		ANGULAR TOL ± 0.5 °		mm
▽ = 0	▽ = 0		4 PLACES ±	3 PLACES ±	SCALE
▽ = 0	▽ = 0		2 PLACES ± 0.13	1 PLACE ± 0.25	4:1
□ = 0	■ = 0	0 PLACES ±	DRAFT WHERE APPLICABLE MUST REMAIN WITHIN DIMENSIONS		SCALE
		DRAWING SIZE		THIRD ANGLE PROJECTION	
		C		C	
		ARIZVI01		DATE	
		2017/09/20		2013/04/04	
		PRAMASWAMY		DATE	
		2017/10/16		2017/10/16	
		TELO		DATE	
		2015/03/24		2015/03/24	
		SERIES		MATERIAL NUMBER	
		76845		SEE CHART	
		DOCUMENT NUMBER		DOC TYPE	
		SD-76845-003		PSD	
		CUSTOMER		SHEET NUMBER	
		GENERAL MARKET		1 OF 3	

MATERIAL NUMBER	# OF COLUMNS	# OF DIFF PAIR	MODULE TYPE	DIM "A"	DIM "B"	DIM "C"
76845-*60*	6	24	NO ENDWALL	18.9	10.00	10.40
76845-*60*	6	24	WITH ENDWALL	20.3	10.00	10.40
76845-*80*	8	32	NO ENDWALL	22.9	14.05	14.45
76845-*80*	8	32	WITH ENDWALL	24.3	14.05	14.45
76845-*10*	10	40	NO ENDWALL	27.0	18.10	18.50
76845-*10*	10	40	WITH ENDWALL	28.4	18.10	18.50

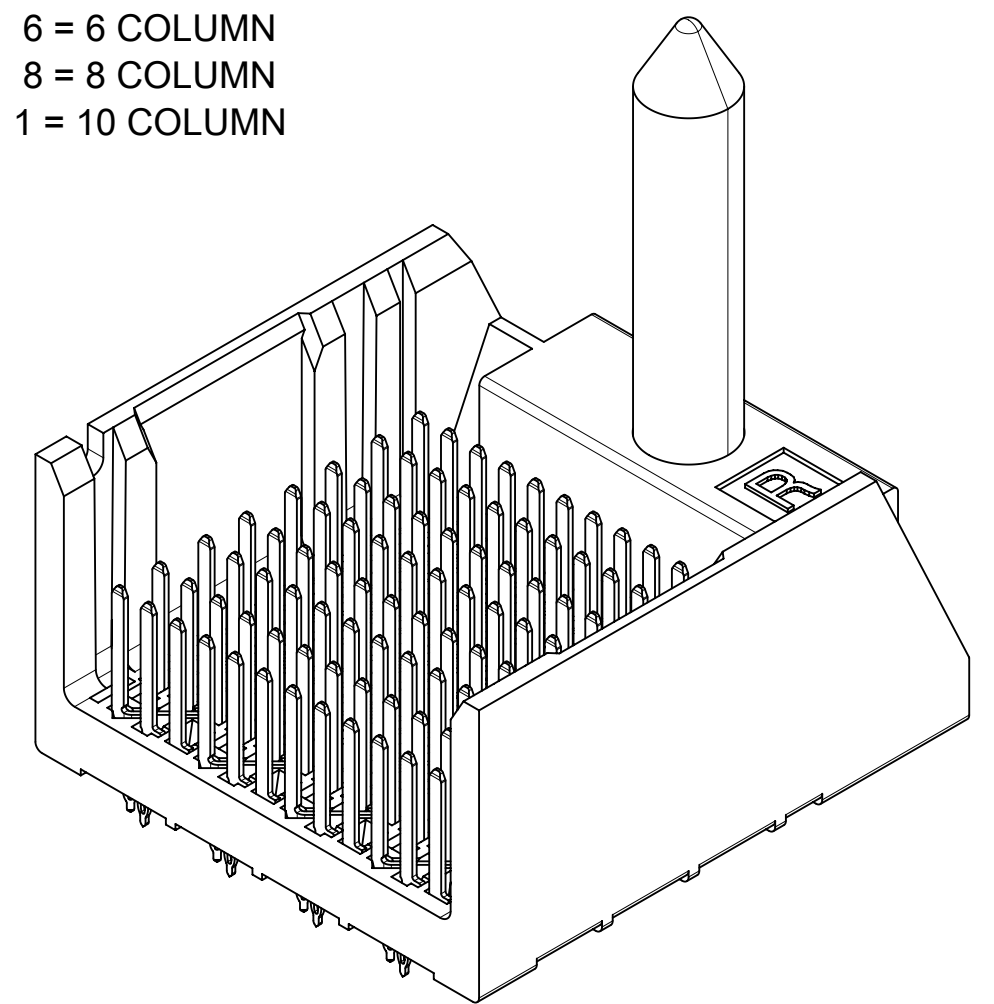
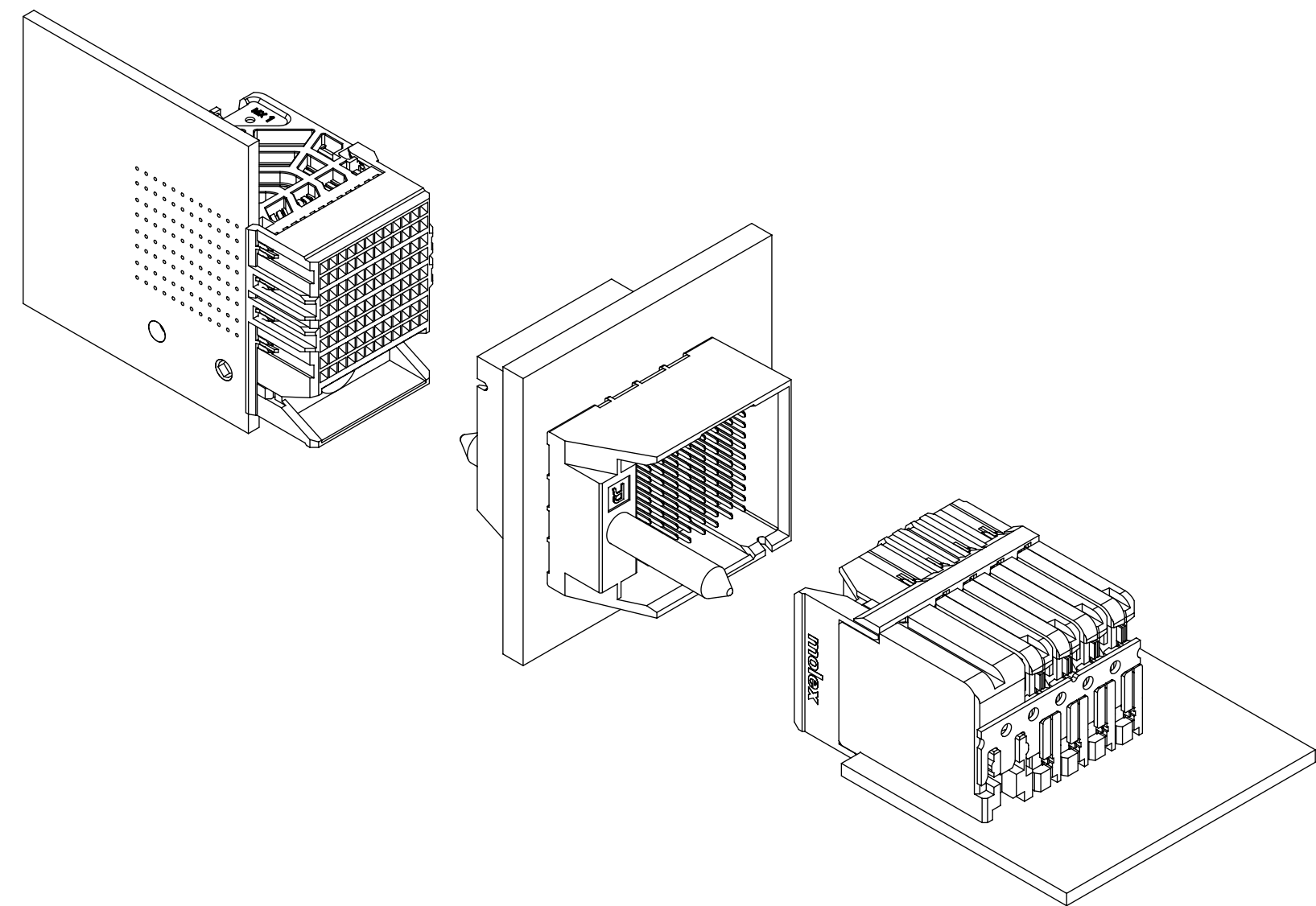


76845-0***

MODULE & TAIL PLATING TYPE
 4 = GUIDE RIGHT NO ENDWALL, TIN/LEAD
 5 = GUIDE RIGHT NO ENDWALL, TIN
 8 = GUIDE RIGHT ENDWALL, TIN/LEAD
 9 = GUIDE RIGHT ENDWALL, TIN

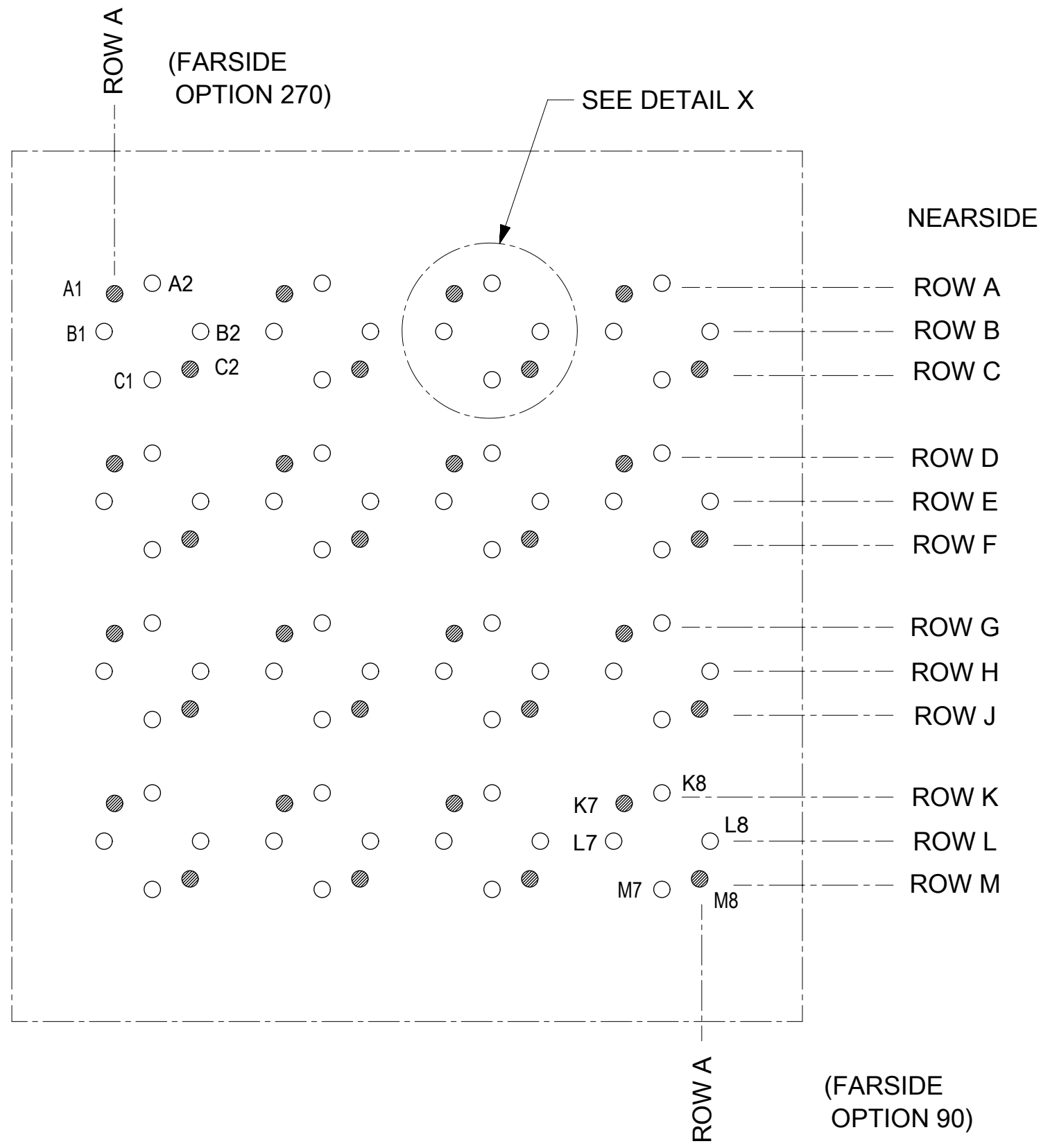
PIN LENGTH (P)
 4 = 4.90, (0.46 PTH)
 5 = 5.50, (0.46 PTH)
 7 = 4.90, (0.39 PTH)
 8 = 5.50, (0.39 PTH)

OF COLUMNS
 6 = 6 COLUMN
 8 = 8 COLUMN
 1 = 10 COLUMN

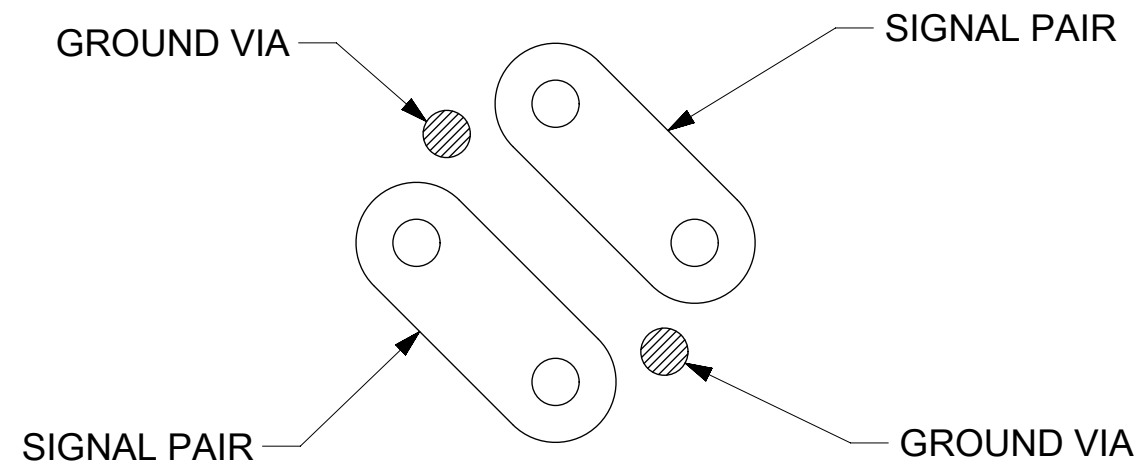


OPEN END OPTION

QUALITY SYMBOLS	THIS DRAWING CONTAINS INFORMATION THAT IS PROPRIETARY TO MOLEX ELECTRONIC TECHNOLOGIES, LLC AND SHOULD NOT BE USED WITHOUT WRITTEN PERMISSION									
▽ = 0	REMASTERED TO NX EC NO: 123322 DRWN: NIMUNIVENKATA CHKD: PRAMASWAMY REV / APPR: PRAMASWAMY	2017/09/20 2017/10/16 2017/10/18	GENERAL TOLERANCES (UNLESS SPECIFIED)		DIMENSION UNITS	SCALE				
▽ = 0			ANGULAR TOL ± 0.5 °		mm	1:1				
▽ = 0			4 PLACES ±		DRWN BY	DATE	IMPACT 4 PAIR HEADER ORTHOGONAL ASSEMBLY GUIDE RIGHT SALES DWG			
▽ = 0			3 PLACES ±		ARIZVI01	2013/04/04				
▽ = 0			2 PLACES ± 0.13		CHK'D BY	DATE	PRODUCT CUSTOMER DRAWING			
▽ = 0			1 PLACE ± 0.25		PRAMASWAMY	2017/10/16				
□ = 0			0 PLACES ±		APPR BY	DATE	SERIES MATERIAL NUMBER CUSTOMER 76845 SEE CHART GENERAL MARKET			
■ = 0			DRAFT WHERE APPLICABLE MUST REMAIN WITHIN DIMENSIONS		TELO	2015/03/24				
▽ = 0			E1		DRAWING SIZE	THIRD ANGLE PROJECTION	DOCUMENT NUMBER DOC TYPE DOC PART SHEET NUMBER SD-76845-003 PSD 001 2 OF 3			
					C					



MIDPLANE PCB LAYOUT



DETAIL X
SCALE 16:1

ORTHO PIN MAPPING

OPTION 270 (NEARSIDE - FARSIDE)

A1-A1	A2-B1	A3-D1	A4-E1	A5-G1	A6-H1	A7-K1	A8-L1
B1-A2	B2-C1	B3-D2	B4-F1	B5-G2	B6-J1	B7-K2	B8-M1
C1-B2	C2-C2	C3-E2	C4-F2	C5-H2	C6-J2	C7-L2	C8-M2
D1-A3	D2-B3	D3-D3	D4-E3	D5-G3	D6-H3	D7-K3	D8-L3
E1-A4	E2-C3	E3-D4	E4-F3	E5-G4	E6-J3	E7-K4	E8-M3
F1-B4	F2-C4	F3-E4	F4-F4	F5-H4	F6-J4	F7-L4	F8-M4
G1-A5	G2-B5	G3-D5	G4-E5	G5-G5	G6-H5	G7-K5	G8-L5
H1-A6	H2-C5	H3-D6	H4-F5	H5-G6	H6-J5	H7-K6	H8-M5
J1-B6	J2-C6	J3-E6	J4-F6	J5-H6	J6-J6	J7-L6	J8-M6
K1-A7	K2-B7	K3-D7	K4-E7	K5-G7	K6-H7	K7-K7	K8-L7
L1-A8	L2-C7	L3-D8	L4-F7	L5-G8	L6-J7	L7-K8	L8-M7
M1-B8	M2-C8	M3-E8	M4-F8	M5-H8	M6-J8	M7-L8	M8-M8

ORTHO PIN MAPPING

OPTION 90 (NEARSIDE - FARSIDE)

A1-M8	A2-L8	A3-J8	A4-H8	A5-F8	A6-E8	A7-C8	A8-B8
B1-M7	B2-K8	B3-J7	B4-G8	B5-F7	B6-D8	B7-C7	B8-A8
C1-L7	C2-K7	C3-H7	C4-G7	C5-E7	C6-D7	C7-B7	C8-A7
D1-M6	D2-L6	D3-J6	D4-H6	D5-F6	D6-E6	D7-C6	D8-B6
E1-M5	E2-K6	E3-J5	E4-G6	E5-F5	E6-D6	E7-C5	E8-A6
F1-L5	F2-K5	F3-H5	F4-G5	F5-E5	F6-D5	F7-B5	F8-A5
G1-M4	G2-L4	G3-J4	G4-H4	G5-F4	G6-E4	G7-C4	G8-B4
H1-M3	H2-K4	H3-J3	H4-G4	H5-F3	H6-D4	H7-C3	H8-A4
J1-L3	J2-K3	J3-H3	J4-G3	J5-E3	J6-D3	J7-B3	J8-A3
K1-M2	K2-L2	K3-J2	K4-H2	K5-F2	K6-E2	K7-C2	K8-B2
L1-M1	L2-K2	L3-J1	L4-G2	L5-F1	L6-D2	L7-C1	L8-A2
M1-L1	M2-K1	M3-H1	M4-G1	M5-E1	M6-D1	M7-B1	M8-A1

NOTE: PINOUTS SHOWN IN BALLOONS ARE GROUNDS.
PINOUTS SHOWN ARE FOR SQUARE (8 COLUMN) PATTERN ONLY.

QUALITY SYMBOLS	THIS DRAWING CONTAINS INFORMATION THAT IS PROPRIETARY TO MOLEX ELECTRONIC TECHNOLOGIES, LLC AND SHOULD NOT BE USED WITHOUT WRITTEN PERMISSION		DIMENSION UNITS	SCALE	molex				
▽ = 0			mm	4:1				IMPACT 4 PAIR HEADER ORTHOGONAL ASSEMBLY GUIDE RIGHT SALES DWG	
▽ = 0	REMASTERED TO NX EC NO: 123922 DRWN: NIMUNIVENKATA CHKD: PRAMASWAMY REV APPR: PRAMASWAMY	GENERAL TOLERANCES (UNLESS SPECIFIED)	DRWN BY		DATE				
▽ = 0		ANGULAR TOL ± 0.5 °	ARIZVI01		2013/04/04				
▽ = 0		4 PLACES ±	CHKD BY		DATE				
▽ = 0		3 PLACES ±	PRAMASWAMY		2017/10/16				
▽ = 0		2 PLACES ± 0.13	APPR BY		DATE				
▽ = 0	1 PLACE ± 0.25	TELO		2015/03/24		PRODUCT CUSTOMER DRAWING			
▽ = 0	0 PLACES ±	DRAWING SIZE		THIRD ANGLE PROJECTION		SERIES	MATERIAL NUMBER	CUSTOMER	
▽ = 0	■ = 0	DRAFT WHERE APPLICABLE MUST REMAIN WITHIN DIMENSIONS		C		76845	SEE CHART	GENERAL MARKET	
▽ = 0						DOCUMENT NUMBER	DOC TYPE	DOC PART	SHEET NUMBER
						SD-76845-003	PSD	001	3 OF 3