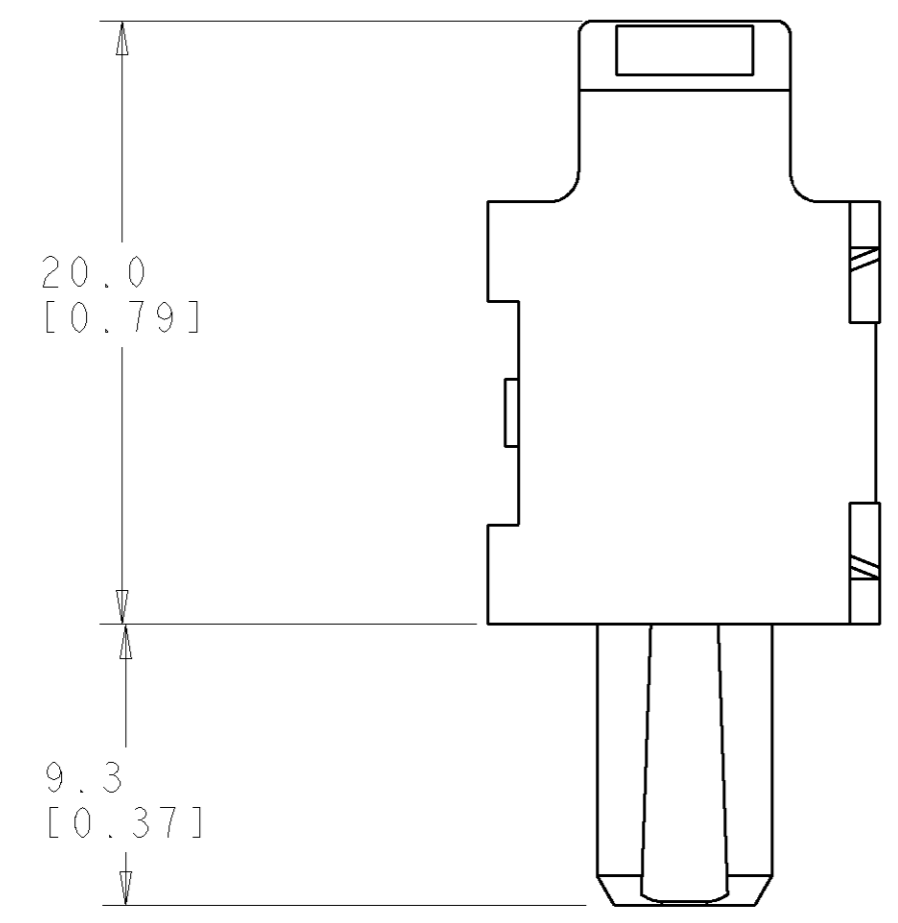


THIS DRAWING IS UNPUBLISHED. RELEASED FOR PUBLICATION 20
 © COPYRIGHT 20 BY TYCO ELECTRONICS CORPORATION. ALL RIGHTS RESERVED.

| LOC | DIST | REVISIONS | | | | | |
|-----|------|-----------|-----|-------------|---------|-----|------|
| GP | 00 | P | LTR | DESCRIPTION | DATE | DWN | APVD |
| | | | A | RELEASED | 16FEB07 | RG | PD |

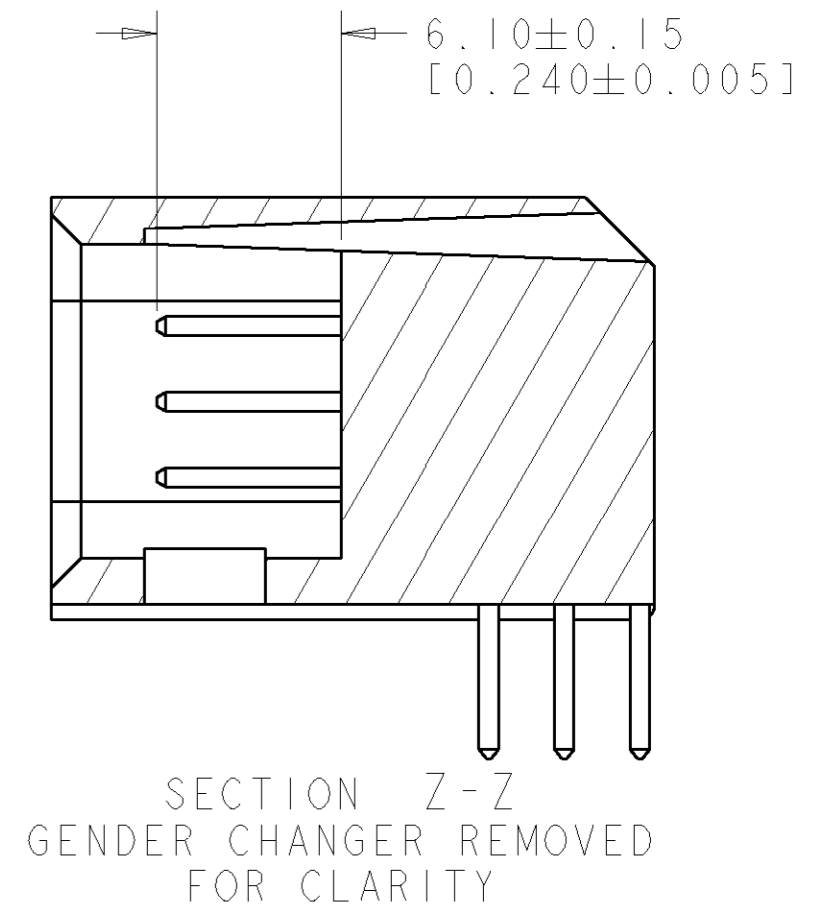
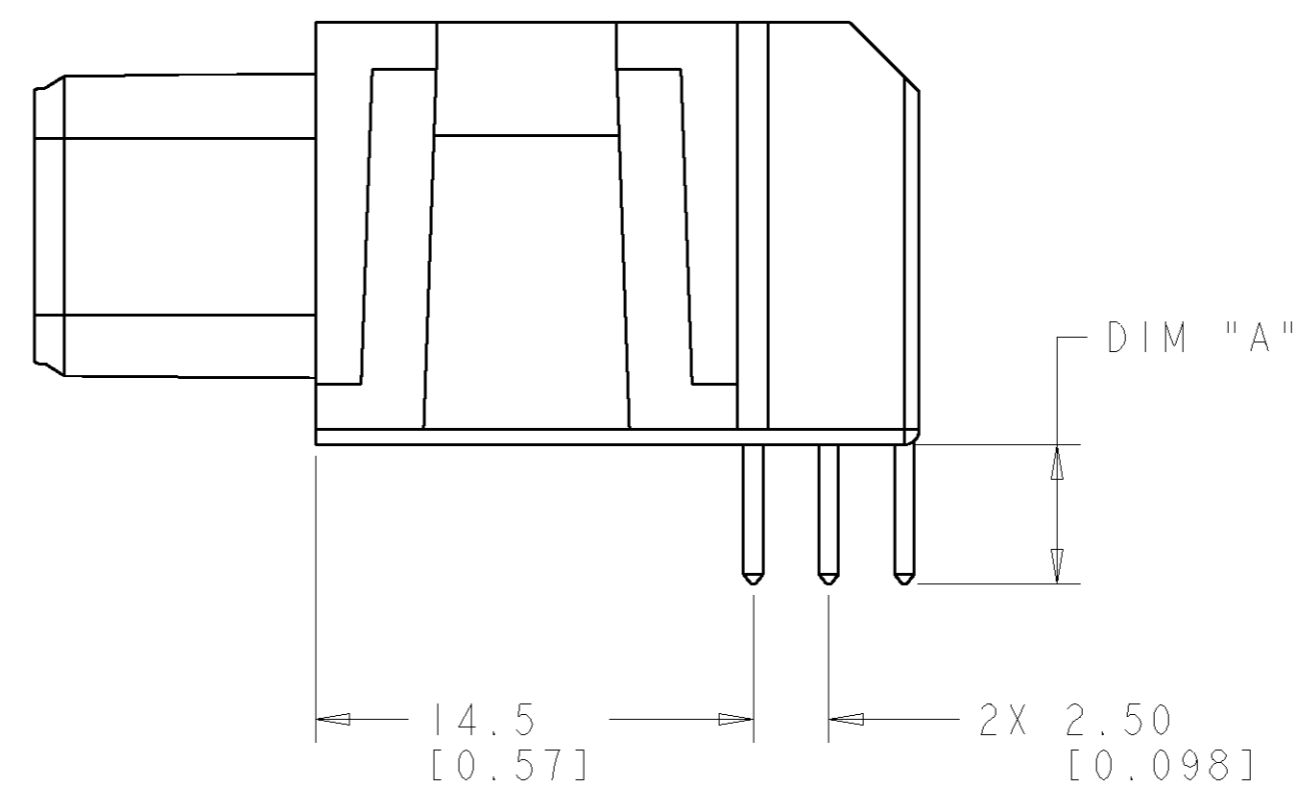
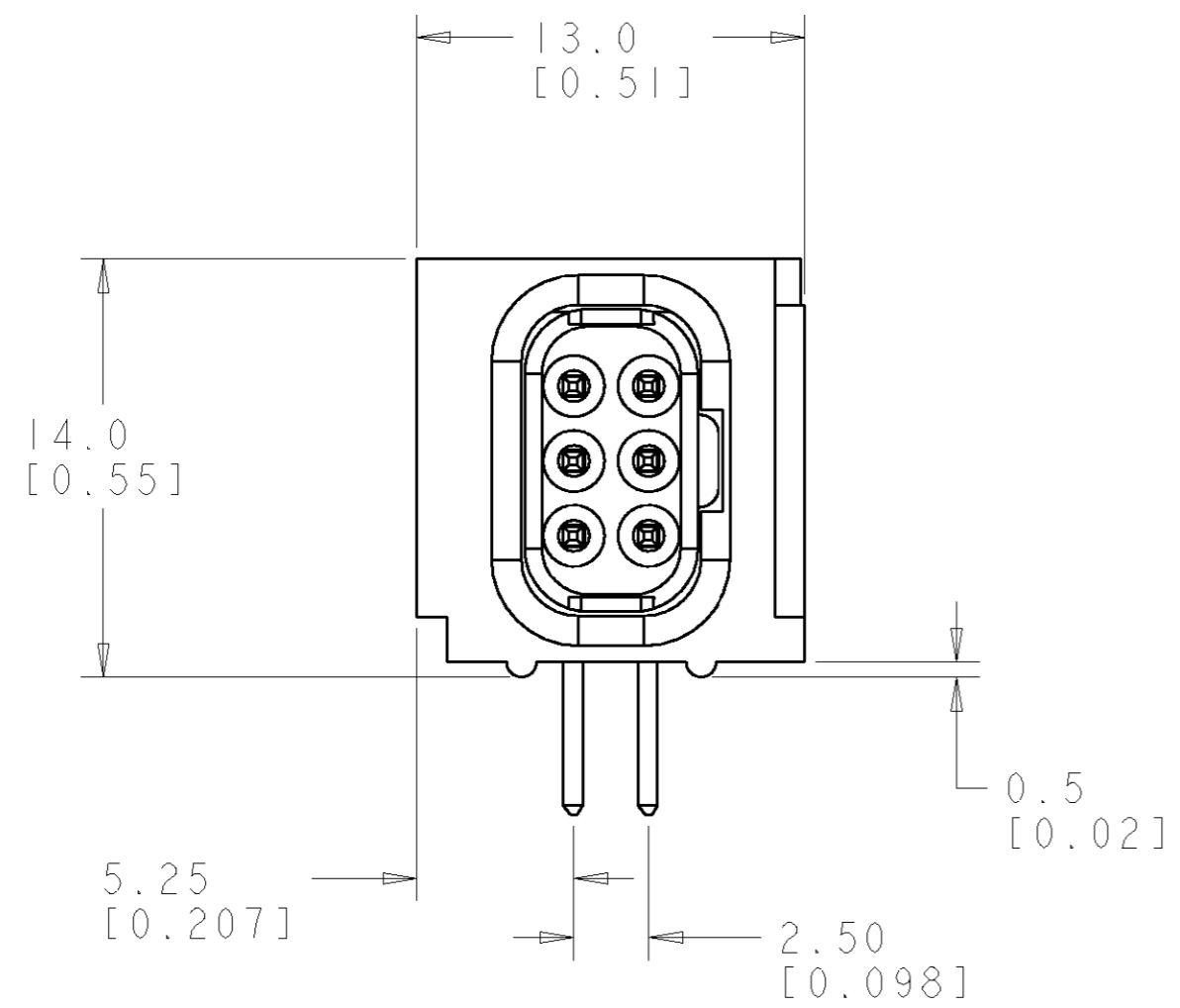


- PART NUMBER CHANGES AND OR DESIGN CHANGES AFFECTING ITEM INTERCHANGEABILITY REQUIRE PRIOR TYCO APPROVAL AND AUTHORIZATION BY REVISION TO THIS DRAWING.
- MATERIAL:
 INSULATORS - THERMOPLASTIC, GLASS REINFORCED, COLOR: BLACK
 UL94V-0 FLAMMABILITY RATED.
 SIGNAL CONTACTS - BRASS ALLOY,
- FINISH:
 CONTACTS - GOLD PLATE 0.76 MICROMETERS MIN. THK., OVER NICKEL
 1.27 MICROMETERS MIN. THK
 SOLDER TAILS, TIN 3.05 MICROMETERS MIN. THK. OVER NICKEL
 1.27 MICROMETERS MIN. THK
- ITEMS PROVIDED TO THIS SPECIFICATION TO BE PERMANENTLY IDENTIFIED ON THE CONTAINER PER THE FOLLOWING IDENTIFIER LABEL

YEAR WEEK

TYCO PART NO.
 XXXXXXXX-X

DATE CODE (e.g. 0106)
 XXXX



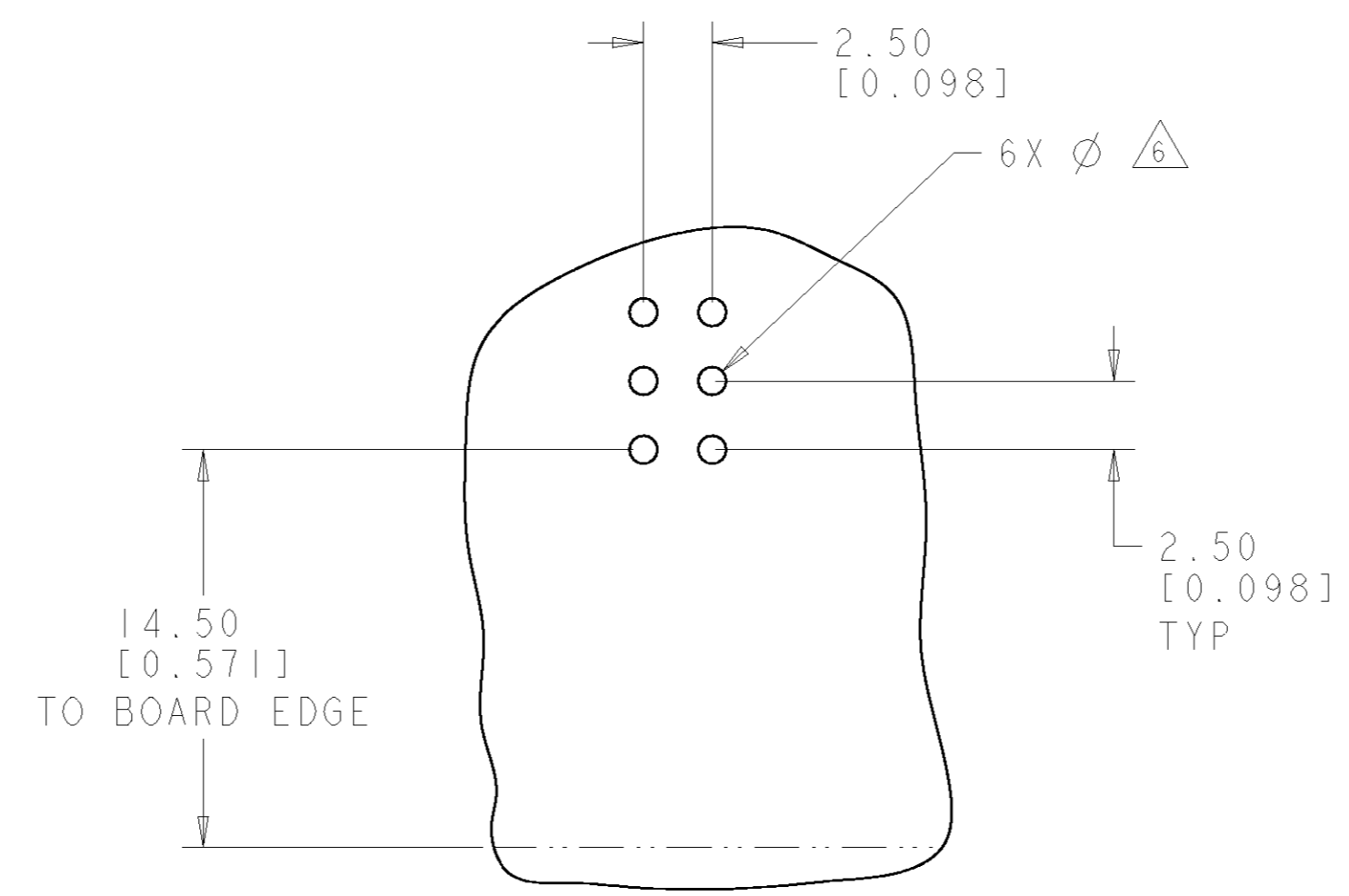
| | |
|--------------------------|-------------|
| 3.56-2.54 [.140-.100] | 1926330-2 |
| 5.08-4.06 [.200-.160] | 1926330-1 |
| DIM "A" | PART NUMBER |

| | | | | |
|---|--|----------------------------------|---|--|
| THIS DRAWING IS A CONTROLLED DOCUMENT FOR TYCO ELECTRONICS CORPORATION. IT IS SUBJECT TO CHANGE AND THE CONTROLLING ENGINEERING ORGANIZATION SHOULD BE CONTACTED FOR THE LATEST REVISION. | | DWN R. GRZYBOWSKI 16FEB07 | tyco Tyco Electronics Harrisburg, PA 17105-3608 | |
| DIMENSIONS: mm [INCHES] | | CHK P. DAMATO 16FEB07 | NAME SOCKET CONNECTOR, RIGHT ANGLE SOLDER, FP315 FLATPAQ | |
| TOLERANCES UNLESS OTHERWISE SPECIFIED: 0 PLC ±.3 1 PLC ±.3 2 PLC ±.15 3 PLC ±.15 4 PLC ±.5 ANGLES ±.5 FINISH | | APVD S. FLICKINGER 16FEB07 | SIZE A2 | |
| MATERIAL | | PRODUCT SPEC - | CAGE CODE 00779 | |
| | | APPLICATION SPEC - | DRAWING NO 1926330 | |
| | | WEIGHT - | RESTRICTED TO - | |
| | | CUSTOMER DRAWING | SCALE 4:1 SHEET 1 OF 3 REV A | |

ELCON FLATPAQ

THIS DRAWING IS UNPUBLISHED. RELEASED FOR PUBLICATION 20
 © COPYRIGHT 20 BY TYCO ELECTRONICS CORPORATION. ALL RIGHTS RESERVED.

| LOC | DIST | REVISIONS | | | | | |
|-----|------|-----------|-----|-------------|------|-----|------|
| GP | 00 | P | LTR | DESCRIPTION | DATE | DWN | APVD |
| | | - | | SEE SHEET 1 | - | - | - |
| | | | | | | | |
| | | | | | | | |



PRINTED CIRCUIT BOARD LAYOUT
 COMPONENT SIDE

| CONNECTOR | CATALOG MODULE # | QTY | SIZE NO. | CONTACT QTY | MATING PIN | MAX. CURRENT (PER CONTACT) | CONTACT SPACING | VOLTAGE RATING |
|-----------|------------------|-----|----------|-------------|----------------|----------------------------|-----------------|----------------|
| SOCKET | FP315 | 1 | 22 | 6 | .64 [.025] SQ. | 3 amps | 2.50 [.0984] | 125 |

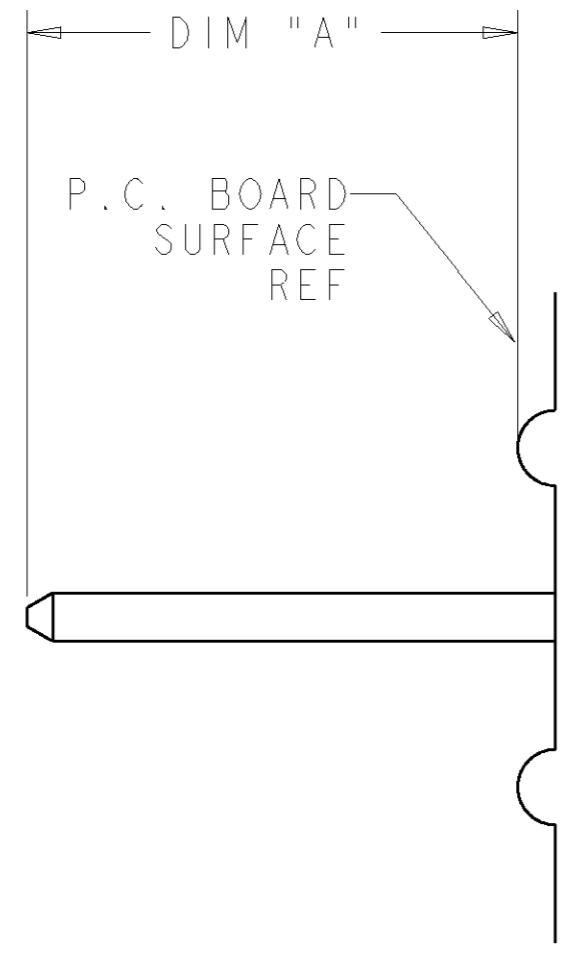
THIS DRAWING IS A CONTROLLED DOCUMENT FOR TYCO ELECTRONICS CORPORATION. IT IS SUBJECT TO CHANGE AND THE CONTROLLING ENGINEERING ORGANIZATION SHOULD BE CONTACTED FOR THE LATEST REVISION.

| | |
|--|---|
| DWN R. GRZYBOWSKI 16FEB07 | Tyco Electronics Harrisburg, PA 17105-3608 |
| CHK P. DAMATO 16FEB07 | |
| APVD S. FLICKINGER 16FEB07 | |
| NAME SOCKET CONNECTOR, RIGHT ANGLE SOLDER, FP315 FLATPAQ | |
| DIMENSIONS: mm [INCHES] | TOLERANCES UNLESS OTHERWISE SPECIFIED: |
| 0 PLC ±.3 | 1 PLC ±.15 |
| 2 PLC ±.15 | 3 PLC ±.15 |
| 3 PLC ±.15 | 4 PLC ±.15 |
| 4 PLC ±.15 | ANGLES ±.5 |
| MATERIAL | FINISH |
| | |
| DWN R. GRZYBOWSKI 16FEB07 CHK P. DAMATO 16FEB07 APVD S. FLICKINGER 16FEB07 PRODUCT SPEC - APPLICATION SPEC - WEIGHT - CUSTOMER DRAWING | |
| SIZE A200779 | CAGE CODE G-1926330 |
| DRAWING NO. 1926330 | RESTRICTED TO - |
| SCALE 4:1 | SHEET 2 OF 3 |
| REV A | |

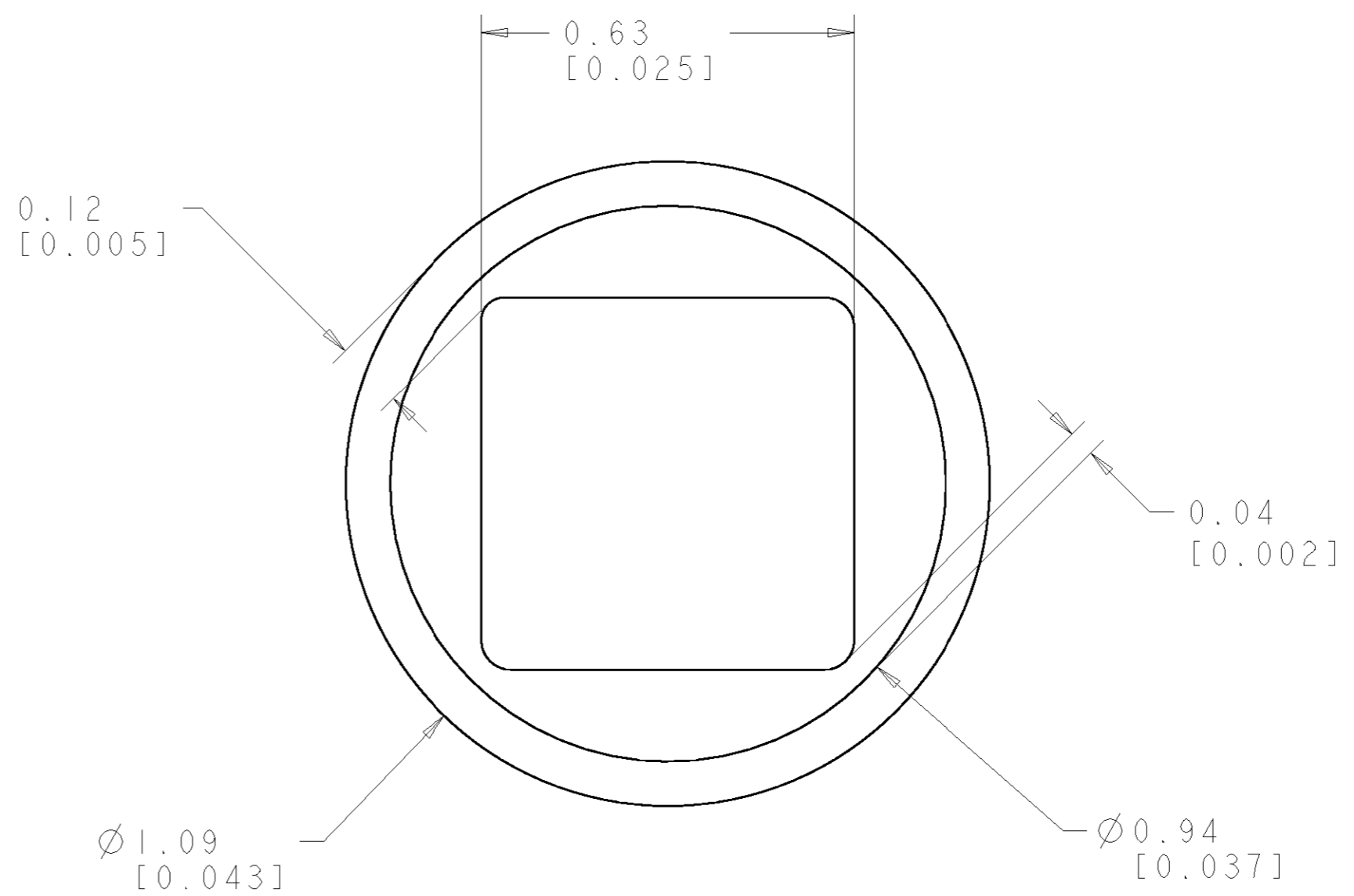
ELCON FLATPAQ

THIS DRAWING IS UNPUBLISHED. RELEASED FOR PUBLICATION 20
 © COPYRIGHT 20 BY TYCO ELECTRONICS CORPORATION. ALL RIGHTS RESERVED.

| LOC | DIST | REVISIONS | | | | | |
|-----|------|-----------|-----|-------------|------|-----|------|
| GP | 00 | P | LTR | DESCRIPTION | DATE | DWN | APVD |
| | | - | | SEE SHEET 1 | - | - | - |
| | | | | | | | |
| | | | | | | | |



5. SOLDER PIN DETAIL
SCALE 10:1



6. SOLDER TERMINATION AREA
SCALE 40:1
 RECOMMENDED PRINTED CIRCUIT SOLDER HOLE
 FINISHED HOLE: $\phi 1.02 [0.040] \pm .08 [0.003]$
 DRILLED HOLE: $\phi 1.15 [0.0453] \pm .013 [0.0005]$
 COPPER PLATE: .025 [0.0010] MIN
 TIN PLATE: .008 [0.0003] MIN. (PER SURFACE)

ELCON **FLATPAQ**

| | | | |
|---|---|---|--|
| <small>THIS DRAWING IS A CONTROLLED DOCUMENT FOR TYCO ELECTRONICS CORPORATION IT IS SUBJECT TO CHANGE AND THE CONTROLLING ENGINEERING ORGANIZATION SHOULD BE CONTACTED FOR THE LATEST REVISION.</small> | | DWN R. GRZYBOWSKI 16FEB07 CHK P. DAMATO 16FEB07 APVD S. FLICKINGER 16FEB07 | tyco <i>Electronics</i> Tyco Electronics Harrisburg, PA 17105-3608 |
| DIMENSIONS: mm [INCHES] | TOLERANCES UNLESS OTHERWISE SPECIFIED: 0 PLC $\pm .3$ 1 PLC $\pm .3$ 2 PLC $\pm .15$ 3 PLC $\pm .15$ 4 PLC $\pm .15$ ANGLES $\pm .5$ FINISH | NAME SOCKET CONNECTOR, RIGHT ANGLE SOLDER, FP315 FLATPAQ | SIZE A200779 |
| MATERIAL - | PRODUCT SPEC - APPLICATION SPEC - WEIGHT - | DRAWING NO 1926330 | RESTRICTED TO - |
| CUSTOMER DRAWING | | SCALE 4:1 | SHEET 3 OF 3 REV A |