

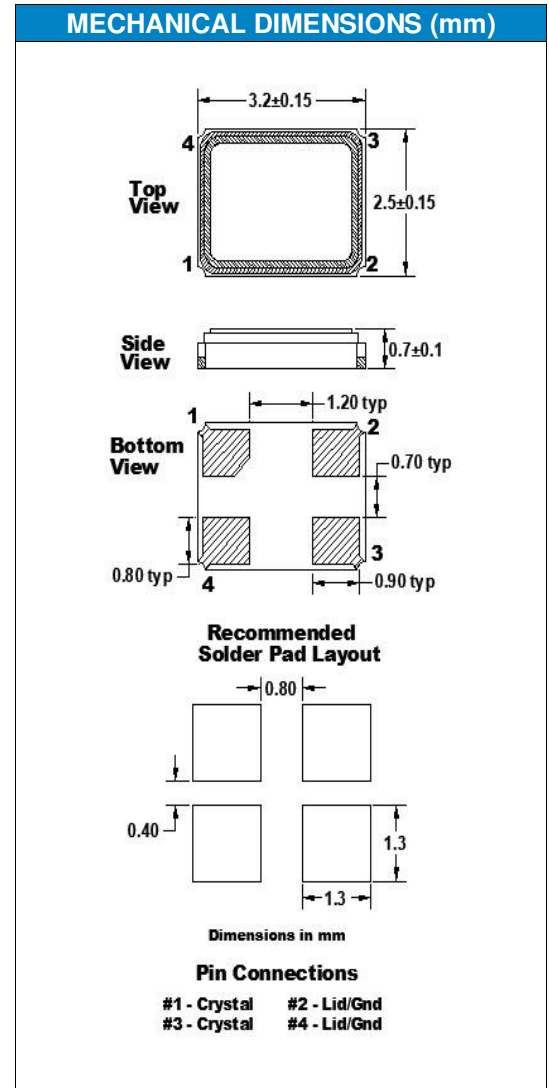
Fox Part Number: 603-25-261

3225 CERAMIC CRYSTAL SEAM SEAL

MODEL: C3BS (Formerly FX325BS Series)

RoHS / REACH Compliant / Pb-Free

SPECIFICATIONS	
Parameter	
Frequency	25.000
Resonance Mode	Fundamental
Frequency Tolerance @ 25°C	±20.0 ppm max
Frequency Stability, ref @ 25°C Over Operating Temp. Range	±20.0 ppm max
Temperature Range Operating (T _{OPR}) Storage (T _{STG})	-40°C ~ +85°C -55°C ~ +125°C
Equivalent Series Resistance (ESR)	50 Ω max
Shunt Capacitance (C ₀)	3 pF max
Load Capacitance (C _L)	8 pF
Drive Level	0.3 mW
Aging per year	±5 PPM max
Maximum Soldering Temp / Time	260°C / 10 Seconds x2
Moisture Sensitivity Level (MSL) Per J-STD-033	N/A
Termination Finish:	Au (0.3~1µm) over Ni (1.27~8.89µm)
Lead (Pb) Free	Yes
RoHS Compliant	Yes, no exemptions
REACH Compliant (latest version)	Yes



NOTE: The above specifications, having been carefully prepared and checked, is believed to be accurate at the time of publication; however, no responsibility is assumed by Fox Electronics for inaccuracies.

Reference / Comments	Title / Description: Product Specifications	
08/05/2020: Updated storage temp range	Drawing Number: DWG-102102	Revision: B
© Copyright 2020 Fox Electronics. All rights reserved	Part Number: 603-25-261	Cage: 61429
	Draftsperson: MAJ	Approved: BEC
	Date: 08/05/2020	

Fox Part Number: 603-25-261

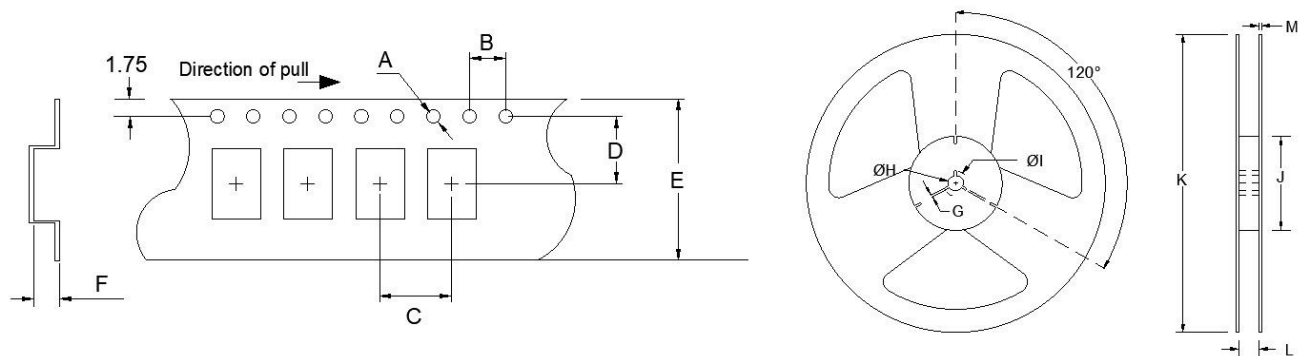
3225 CERAMIC CRYSTAL SEAM SEAL

MODEL: C3BS (Formerly FX325BS Series)

RoHS / REACH Compliant / Pb-Free

Tape & Reel Specification

Tape Specifications (millimeters)						
A	B	C	D	E	F	Reel Options
Ø1.5	4.0	4.0	3.5	8.0	1.3	-T1 = 1,000 -T2 = 2,000 -T3 = 3,000



Reel Specifications (millimeters)						
G	H	I	J	K	L	M
2.0	Ø13	Ø21	Ø80	Ø180	9.0	2.0

NOTE: The above specifications, having been carefully prepared and checked, is believed to be accurate at the time of publication; however, no responsibility is assumed by Fox Electronics for inaccuracies.

Reference / Comments	Title / Description: Product Specifications	
08/05/2020: Updated storage temp range	Drawing Number: DWG-102102	Revision: B
© Copyright 2020 Fox Electronics. All rights reserved	Part Number: 603-25-261	Cage: 61429
	Draftsperson: MAJ	Approved: BEC
	Date: 08/05/2020	