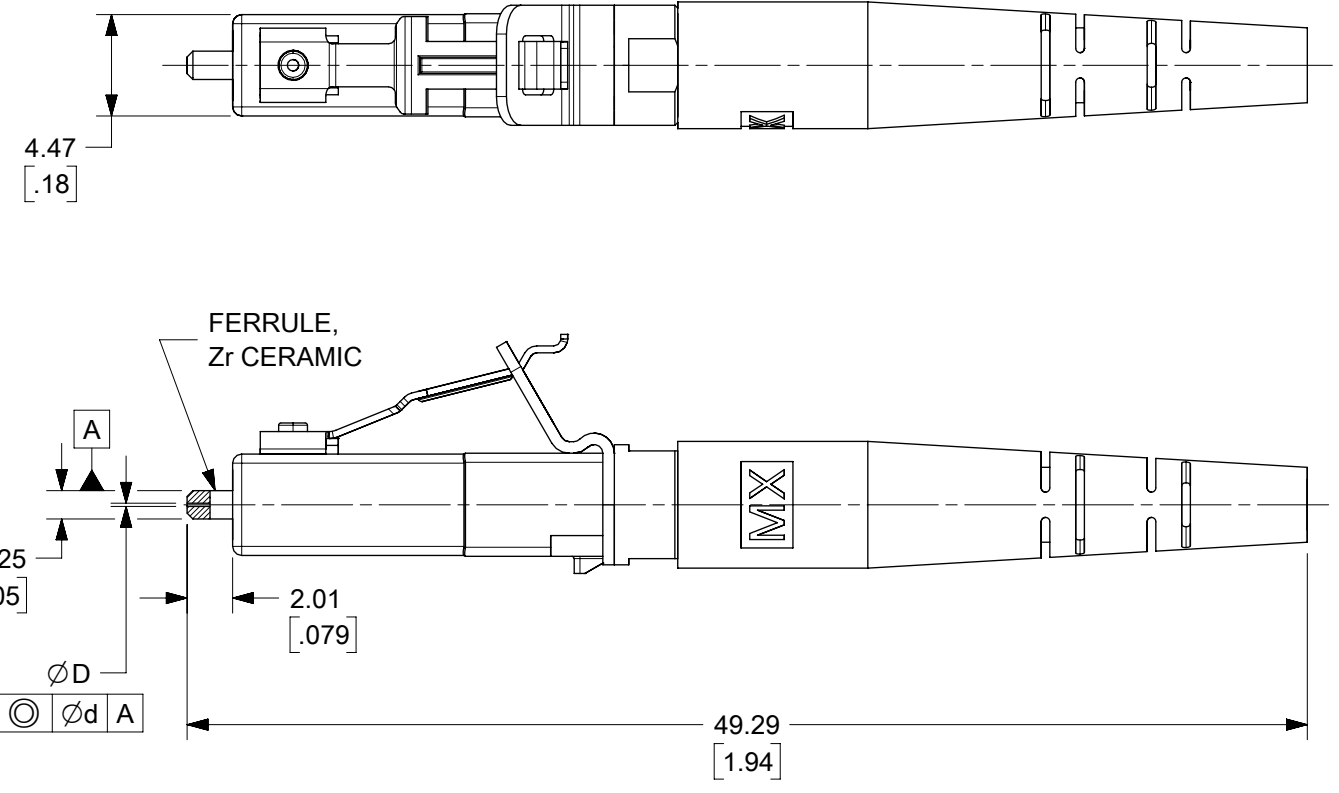
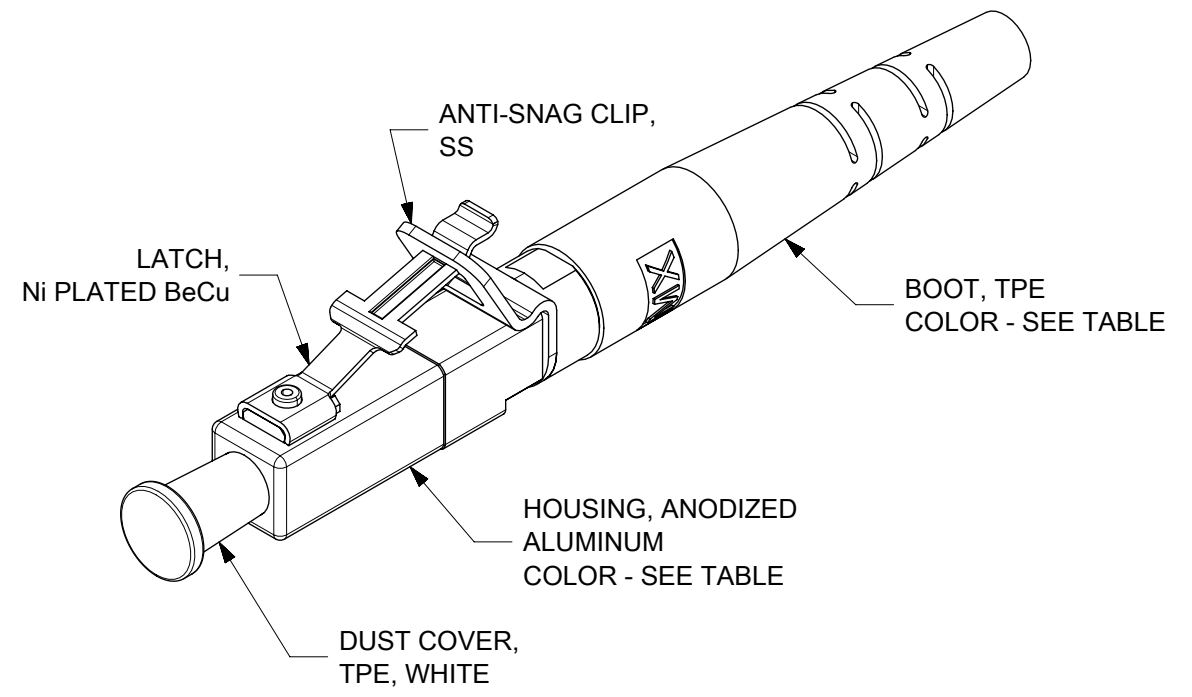


CONNECTOR P/N	ØD (µm)	Ød (µm)	CONNECTOR TYPE	HOUSING COLOR	BOOT COLOR	CABLE TYPE / SIZE
1063971927	125.5 +0.5/-0	0.5	Single Mode	Blue	Blue	Simplex 1.6mm
1063971302						Simplex 2.0mm
1063971929	126.0 +1.0/-0	1.0				Simplex 1.6mm
1063971304						Simplex 2.0mm
1063972127	127.0 +3.0/-0	3.0	Multimode	Gold	White	Simplex 1.6mm
1063971502						Simplex 2.0mm
1063971930	125.5 +0.5/-0	0.5	Single Mode/APC	Blue	Green	Simplex 1.6mm
1063971310						Simplex 2.0mm



NOTES:

- INTERFACE DIMENSIONS COMPLY TO IEC 61754-20 TYPE LC CONNECTOR FAMILY.
 - FOR TERMINATION PROCEDURE USE STANDARD LC TERMINATION PROCEDURE. (RECOMMENDED CRIMP TOOL P/N 867445000)
 - CONNECTOR TESTED TO PASS FOLLOWING STANDARDS:
- TELCORDIA GR-326-CORE (REFER TO TEST REPORT TR8796)
- CONNECTOR IS SOLD AS A KIT. CUSTOMER IS RESPONSIBLE TO PERFORM THEIR OWN TEST TO VERIFY THEIR TERMINATION PROCESS AS A FINISHED PRODUCT.

FUNCTIONAL SYMBOLS	THIS DRAWING CONTAINS INFORMATION THAT IS PROPRIETARY TO MOLEX ELECTRONIC TECHNOLOGIES, LLC AND SHOULD NOT BE USED WITHOUT WRITTEN PERMISSION		CURRENT REV DESC:		molex
	MM/INCH	3:1			
DIVISIONAL SYMBOLS	GENERAL TOLERANCES (UNLESS SPECIFIED)		EC NO: 655686		LC2+ METAL CONNECTOR, SIMPLEX. 1.6MM & 2.0MM CABLE
	ANGULAR TOL ± 0.5°		DRWN: IGUMIN 2021/02/15		
3 PLACES ±		CHK'D: GGENCHANOK 2021/02/18		PRODUCT CUSTOMER DRAWING	
2 PLACES ±		APPR: GGENCHANOK 2021/02/18		DOCUMENT NUMBER	
1 PLACE ±		INITIAL REVISION:		SD-106397-1302	
0 PLACES ±		DRWN: WCHEN 2009/05/05		PSD 001 C1	
DRAFT WHERE APPLICABLE MUST REMAIN WITHIN DIMENSIONS		THIRD ANGLE PROJECTION		MATERIAL NUMBER	
		DRAWING		CUSTOMER	
		SERIES		SEE TABLE	
		B-SIZE 106397		SHEET NUMBER	
				1 OF 1	