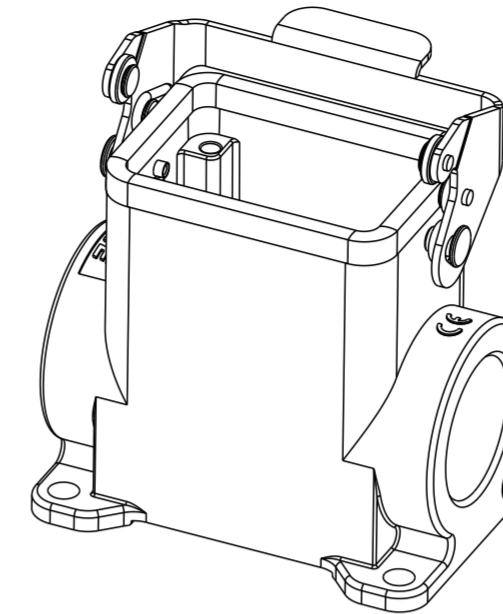
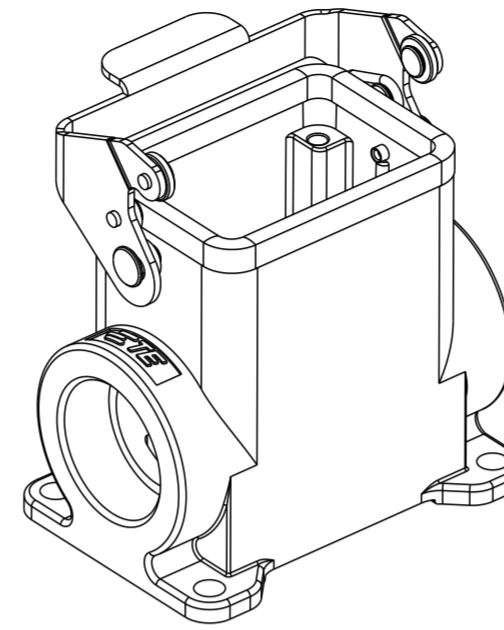
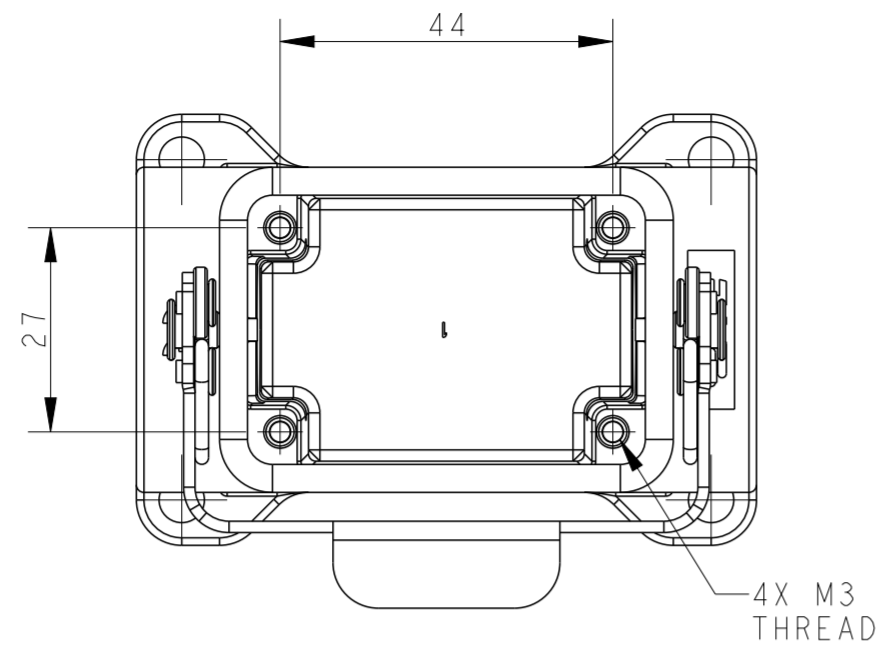


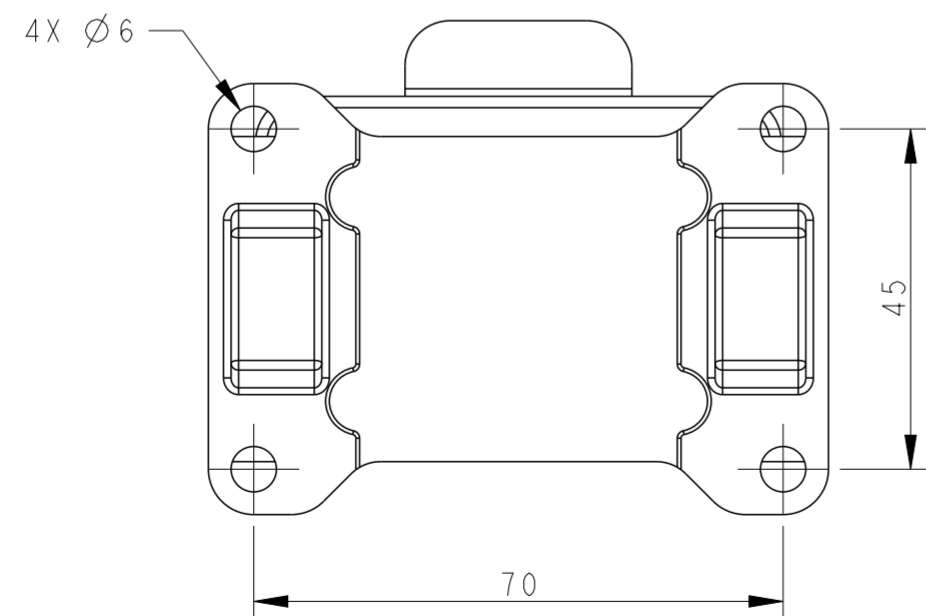
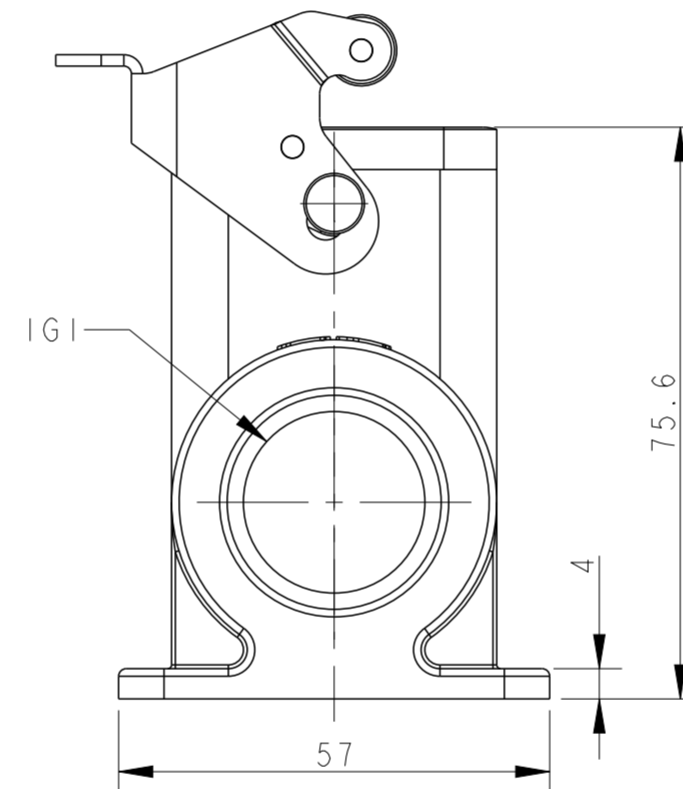
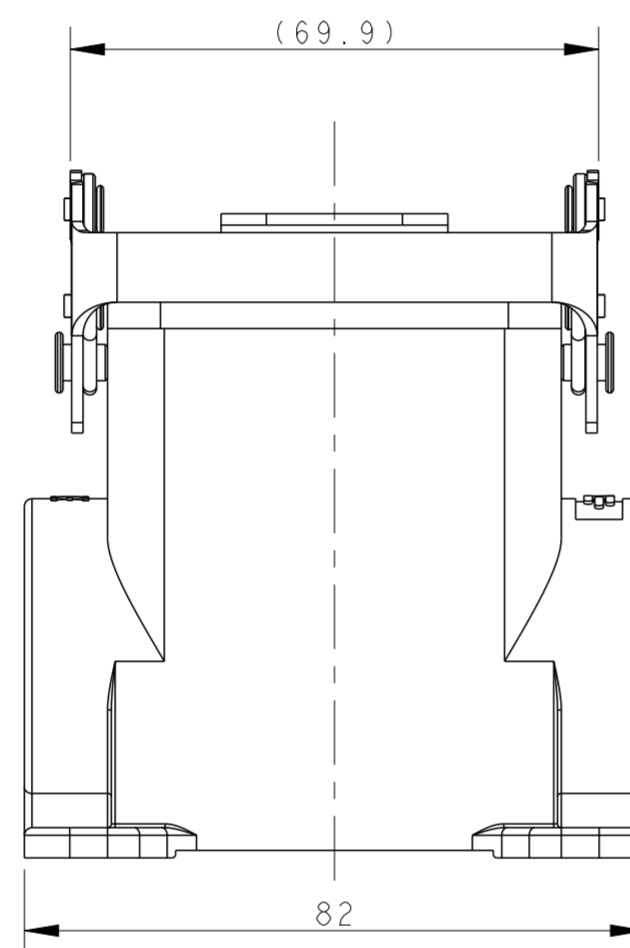
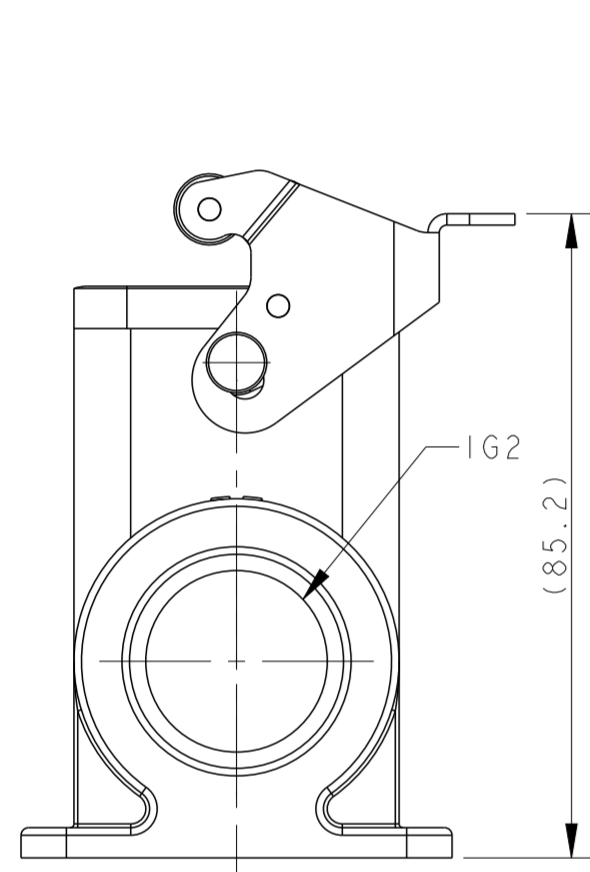
THIS DRAWING IS UNPUBLISHED. RELEASED FOR PUBLICATION 20
 © COPYRIGHT 20 BY - ALL RIGHTS RESERVED.

REVISIONS					
P	LTR	DESCRIPTION	DATE	DWN	APVD
A		INITIAL	23JUN2015	DW	CW
A1		ECR-16-008646	25JUN2016	BS	CW
B		ECR-20-007968	16JUN2020	WOR	CW



NOTES:
 1. TECHNICAL CHARACTERISTICS:
 HOUSING MATERIAL: DIE CAST ALUMINIUM ALLOY
 SURFACE: POWDER COATED, GREY
 DEGREE OF PROTECTION: IP65 (MATED)

注释:
 1. 技术参数:
 表面安装下壳材料: 铝合金
 表面处理: 粉末涂层, 灰色
 防护等级: IP65(配合)



PART NUMBER	PART DESCRIPTION	IG1	IG2
料号	描述		
T1650062121-000	H6B-SGRHS-PG21 H6B HOUSING, SURFACE MOUNTED, STAINLESS STEEL SINGLE LOCKING, 1 ENTRY HOLE, HIGH CONSTRUCTION H6B下壳 表面安装、不锈钢单扣、1个进线孔、高结构	PG21	-
T1650062121-001	H6B-SGRHS-PG21 H6B HOUSING, SURFACE MOUNTED, STAINLESS STEEL SINGLE LOCKING, 1 ENTRY HOLE WITH REVERSE TYPE, HIGH CONSTRUCTION H6B下壳 表面安装、不锈钢单扣、反向1个进线孔、高结构	-	PG21
T1650062129-000	H6B-SGRHS-PG29 H6B HOUSING, SURFACE MOUNTED, STAINLESS STEEL SINGLE LOCKING, 1 ENTRY HOLE, HIGH CONSTRUCTION H6B下壳 表面安装、不锈钢单扣、1个进线孔、高结构	PG29	-
T1650062132-000	H6B-SGRHS-M32 H6B HOUSING, SURFACE MOUNTED, STAINLESS STEEL SINGLE LOCKING, 1 ENTRY HOLE, HIGH CONSTRUCTION H6B下壳 表面安装、不锈钢单扣、1个进线孔、高结构	M32	-
T1650062221-000	H6B-SGRHS-2PG21 H6B HOUSING, SURFACE MOUNTED, STAINLESS STEEL SINGLE LOCKING, 2 ENTRY HOLE, HIGH CONSTRUCTION H6B下壳 表面安装、不锈钢单扣、2个进线孔、高结构	PG21	PG21
T1650062229-000	H6B-SGRHS-2PG29 H6B HOUSING, SURFACE MOUNTED, STAINLESS STEEL SINGLE LOCKING, 2 ENTRY HOLE, HIGH CONSTRUCTION H6B下壳 表面安装、不锈钢单扣、2个进线孔、高结构	PG29	PG29
T1650062232-000	H6B-SGRHS-2M32 H6B HOUSING, SURFACE MOUNTED, STAINLESS STEEL SINGLE LOCKING, 2 ENTRY HOLE, HIGH CONSTRUCTION H6B下壳 表面安装、不锈钢单扣、2个进线孔、高结构	M32	M32

THIS DRAWING IS A CONTROLLED DOCUMENT.		DWN 23JUN2015 David Wang	TE Connectivity	
		CHK 23JUN2015 Chris Wang		
DIMENSIONS: mm		APVD 23JUN2015 Xiang Xu	NAME H6B-SGRHS-M/PG	
TOLERANCES UNLESS OTHERWISE SPECIFIED:		PRODUCT SPEC 108-137013	RESTRICTED TO	
0 PLC ±		APPLICATION SPEC 114-137013	SIZE A2	CAGE CODE 00779
1 PLC ±		WEIGHT -	DRAWING NO C-T1650062XXX000	
2 PLC ±		SCALE 1:1		
3 PLC ±		SHEET 1 OF 1		
4 PLC ±		REV B		
ANGLES ±		Customer Drawing		
FINISH -				