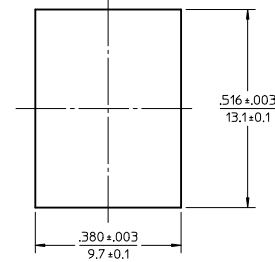
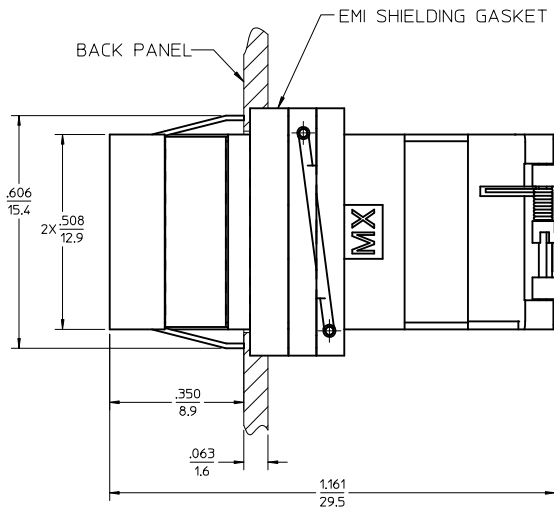
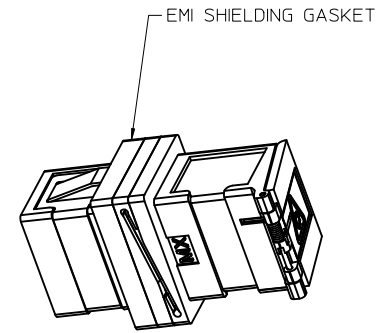
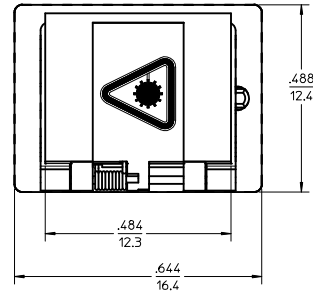
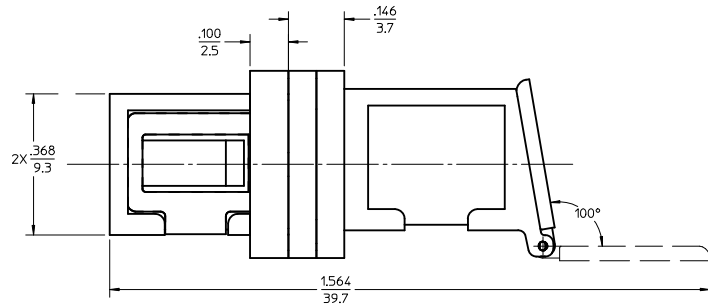


SC ADAPTER ASSY. P/N	SPLIT SLEEVE MATERIAL
106116-2000	Zr
106116-2200	Ph. Bronze



RECOMMENDED MOUNTING CUTOUT  
FOR .063" THICK PANEL

NOTES:

1. ALL DIMENSIONS ARE FOR REFERENCE ONLY.
2. DUST CAP IS NOT SHOWN, BUT INCLUDED.
3. ADAPTERS TO BE PACKAGED IN TRAY.

EC NO: MF2012-0250 DRAWING NO: 2011/11/08 CHKD: IGUMIN APPR: IGUMIN REV: A3	QUALITY SYMBOLS ▽=0 ▽=0	GENERAL TOLERANCES (UNLESS SPECIFIED) mm INCH 4 PLACES ± --- ±.0002 3 PLACES ± 0.005 ±.005 2 PLACES ± 0.13 ±.01 1 PLACE ± 0.25 ± --- ANGULAR ± 1/2°	DIMENSION STYLE IN/MM DRAWN BY: RPACIFIC1 DATE: 2005/10/18 CHECKED BY: DATE:	SCALE: 4:1 DESIGN UNITS: INCH THIRD ANGLE PROJECTION	TITLE: SC METAL ADAPTER
	DRAFT WHERE APPLICABLE MUST REMAIN WITHIN DIMENSIONS	APPROVED BY: IGUMIN DATE: 2011/11/22	MATERIAL NO. SEE TABLE DOCUMENT NO. SD-106116-2000	SHEET NO. 1 OF 1	MOLEX INCORPORATED
	THIS DRAWING CONTAINS INFORMATION THAT IS PROPRIETARY TO MOLEX INCORPORATED AND SHOULD NOT BE USED WITHOUT WRITTEN PERMISSION				
	THIS DRAWING CONTAINS INFORMATION THAT IS PROPRIETARY TO MOLEX INCORPORATED AND SHOULD NOT BE USED WITHOUT WRITTEN PERMISSION				