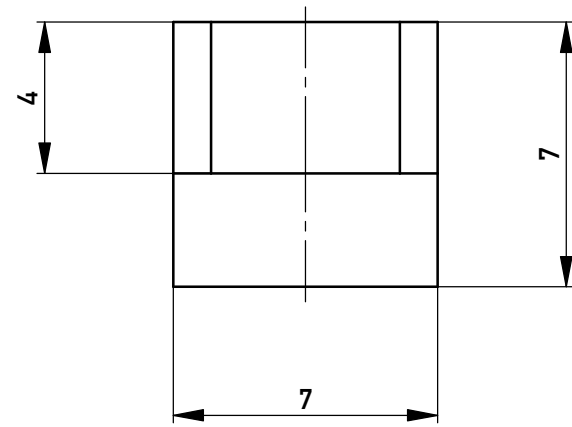
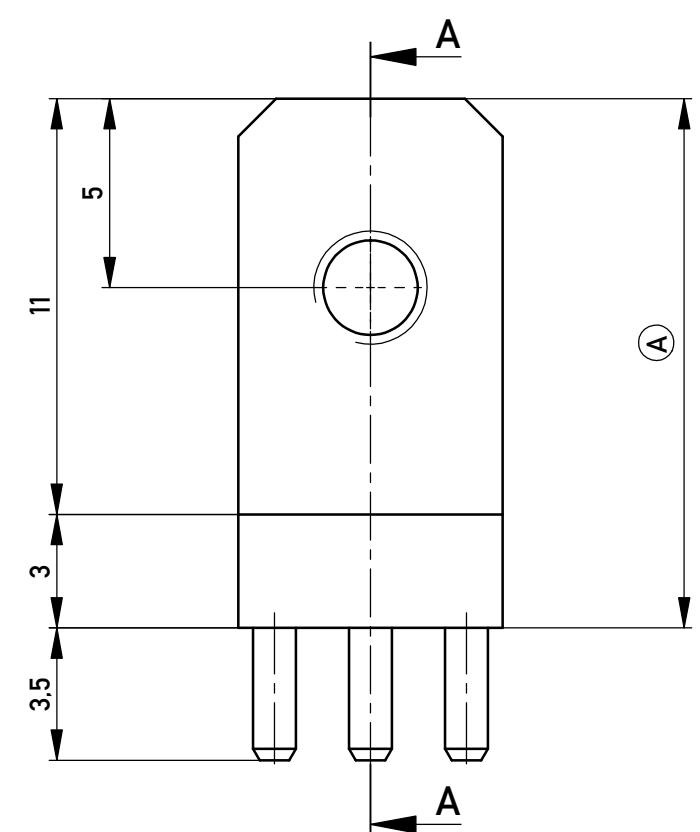
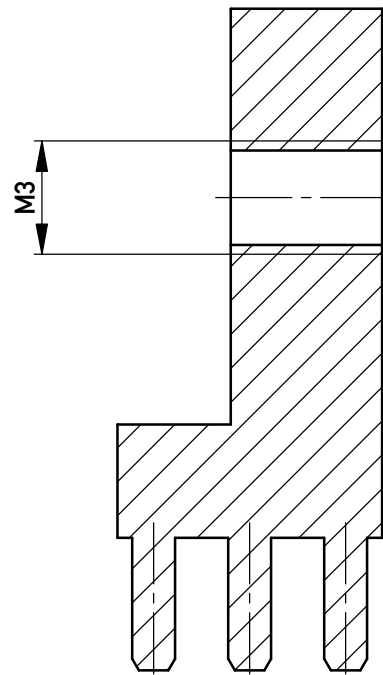
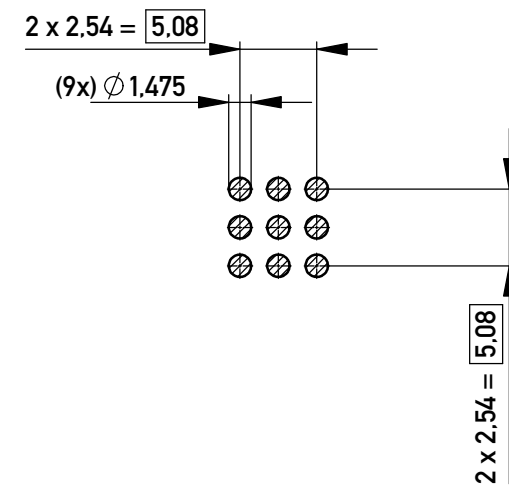


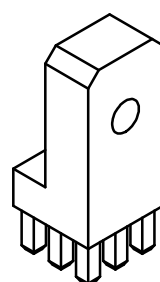
Schnitt A-A
cross section A-A



Layout - Vorschlag
PCB - Layout proposal
M 2:1
scale 2:1



M 2:1
scale 2:1



2-6µm Sn matt über 2-4µm Cu
2-6µm sn matt over 2-4µm cu
Ⓐ Oberfläche / plating

Information:		Tolerances		Scale: 5:1
All rights reserved. Only for Information. To ensure that this is the latest version of this drawing, please contact one of the ERNI companies before using.		Subject to modification without prior notice. Drawing will not be updated.		Material: CuZn39Pb3
Copyright by ERNI Production GmbH & Co. KG Proprietary notice pursuant to ISO 16016 to be observed.		www.ERNI.com		Designation PowerElement angled full population M3
b	14.02.2018	225699		I
Index	Date	Class POWELM		A3