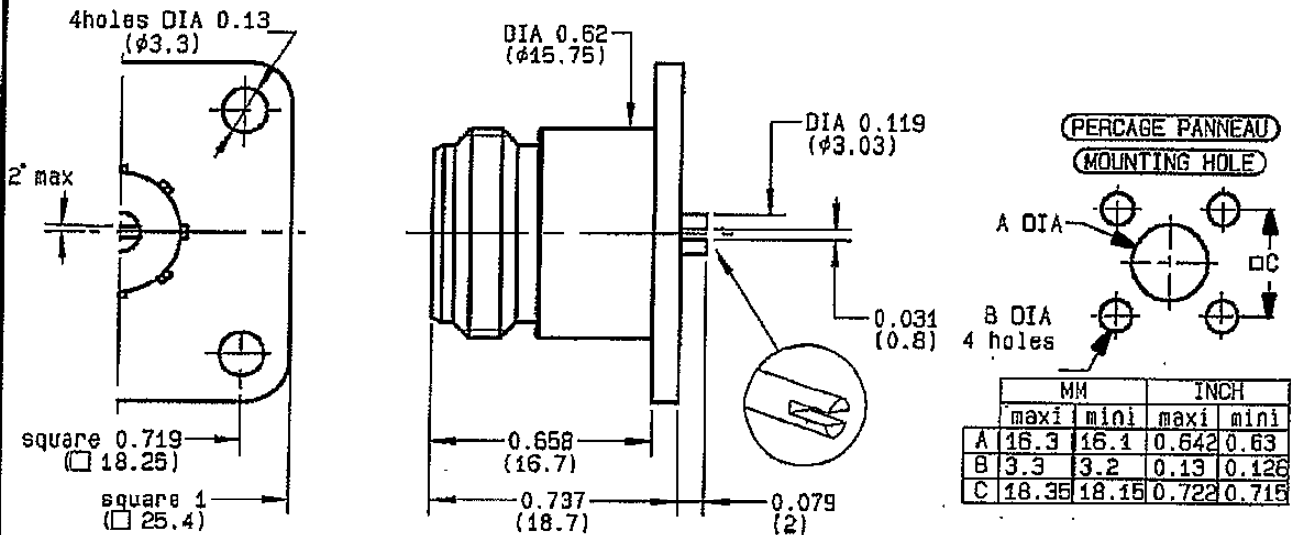


**SQUARE FLANGE JACK RECEPTACLE  
WITH SLOTTED CONTACT**

**R161.419.300**  
**SERIES N**



NOMINAL IMPEDANCE	<b>50</b> Ω
FREQUENCY RANGE	<b>0-11</b> GHz
TEMPERATURE RATING	<b>-55/+155</b> °C
V.S.W.R	<b>1.30</b> + x F(GHz)Max1
RF INSERTION LOSS	<b>0.048</b> √F(GHz) dB Max1
VOLTAGE RATING	<b>1400</b> Veff Maxi
DIELECTRIC WITHSTANDING VOLTAGE	<b>2500</b> Veff Mini
INSULATION RESISTANCE	<b>5000</b> MΩMini
HERMETIC SEAL	<b>NA</b> Atm.cm <sup>3</sup> /s
LEAKAGE (pressurized only)	<b>NA</b>
MECHANICAL DURABILITY	<b>500</b> Cycles
WEIGHT	<b>26.7</b> gr
SPECIFICATION	

CABLES :

OTHERS CHARACTERISTICS

CABLE RETENTION	<b>NA</b>	N Mini
CENTER CONTACT RETENTION		
Axial force - mating end	<b>27</b>	N Mini
Axial force - opposite end	<b>27</b>	N Mini
Torque	<b>NA</b>	cm.N Mini
RECOMMENDED TORQUES		
Mating	<b>NA</b>	cm.N
Panel nut	<b>NA</b>	cm.N
Clamp nut	<b>NA</b>	cm.N

CONNECTOR PARTS	MATERIALS	FINISH	(all values are given in micrometers)
BODY	BRASS	BBR 2	
OUTER CONTACT	BRASS	BBR 2	
CENTER CONTACT	BERYLLIUM COPPER	GOLD 0.5 OVER NICKEL 2	
INSULATOR	PTFE	-	
GASKET		-	
OTHERS PIECES			

ISSUE  
0516 F

CREATION DATE  
24/03/1993

FILE PART-NUMBER



**RADIALL®**

BONNEMONT

The information given here is subject to change without notice.  
Design changes may be in order to improve the product .

*Connect to the future*