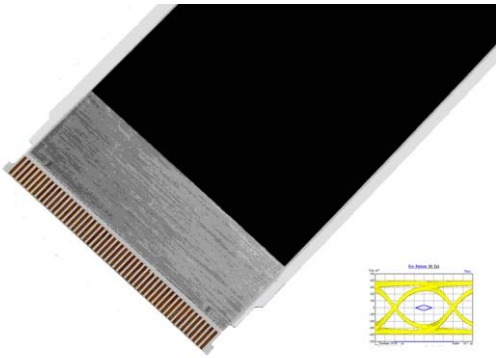


FACIL-xx-H LVDS 100Ω 10Gbit/sec High Speed FFC for IRISO IMSA Auto-i-Lock series



Features

Compatible with
IRISO Auto-i-Lock series
Data rate up to 10Gbit/sec
Impedance 100Ω
One side LVDS Foil
High flexibility and softness

For Connector:

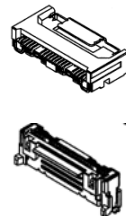
IMSA-11501S-xx – horizontal 105°C
IMSA-11600S-xx – vertical 105°C

Compatible Connector:

IMSA-11607S-xx – vertical 125°C
IMSA-11507S-xx - horizontal 125°C

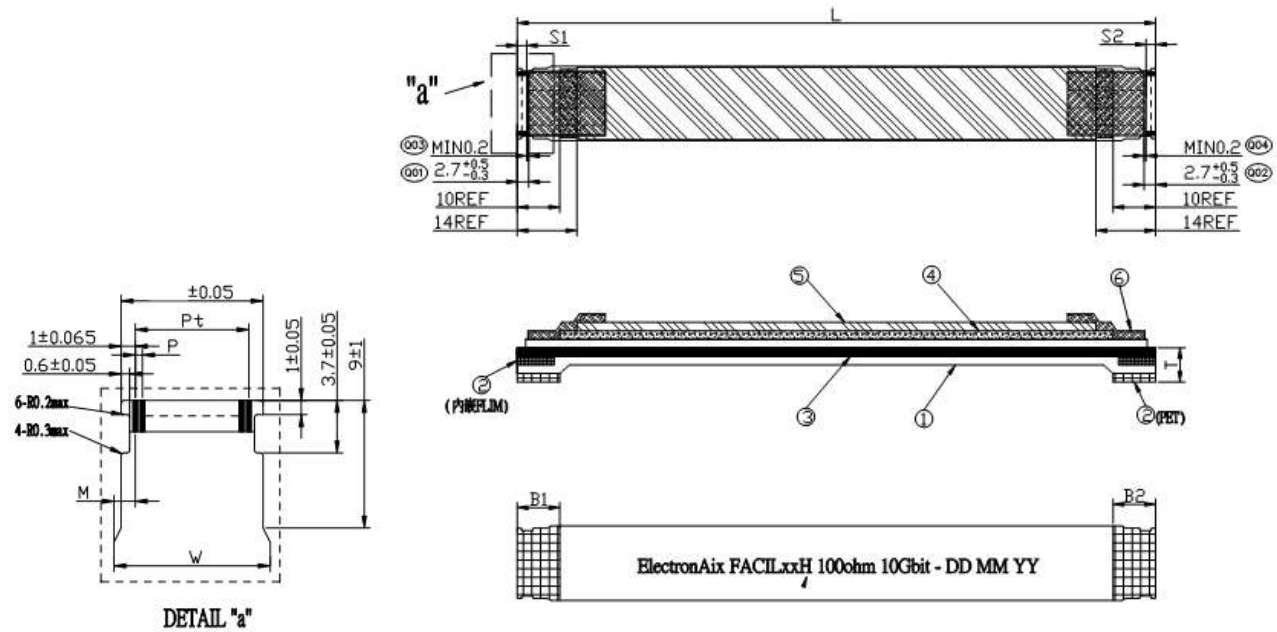
Also mating connector, but not compatible:

IMSA 12001S
IMSA-9685S-i-Lock
IMSA-9686S-iLock
IMSA-9687S-iLock
IMSA-9697S-iLock
IMSA-9698S-iLock



FACIL-xx-H LVDS 100Ω 10Gbit/sec High Speed FFC for IRISO IMSA Auto-i-Lock series

Dimension:



Pitch	P	0.5	±0.05*
Total Pitch	Pt	(n-1) x 0.5	±0.05*
Width	W	(N+5) x 0.5	±0.07
Insert Thickness	T	0.3	±0.03
Strip length	S1	2.2	±0.5
	S2	2.2	±0.5
Reinforcement tape length	S3	10**	±2
	S4	10**	±2
Inner length	IL	TL-(S1+S2)	±2
Total length	TL	LLL	±2
No. of pins	N	NN	
Standard Conductor Dimension	Thickness 1	0.035***	±0.005
	Width	0.30***	±0.03
Slanting	A	< 0.3	

* Tolerance depending on connector spec. smaller tolerance is possible

** Or customized length

*** wire options see below

FACIL-xx-H LVDS 100Ω 10Gbit/sec High Speed FFC for IRISO IMSA Auto-i-Lock series

Possible Types:

A = SAME = Same Side



Label or Print on this side: ElectronAix FACILxxH

B = OPP = Opposite Side



Label or Print on one side: ElectronAix FACILxxH.

Partnumber:

FACIL			P		-	22		33	GH
FACIL	T	NN	P	LLL	-	22	SS	33	GH
									<i>Gold Plating High Speed*</i>
									<i>Wire Dimension 0,3x0,035 (options see table)</i>
							SS= Supporter Tape Length; 10mm/10mm = Standard		
							<i>Strip Length in 2.2mm/2,2 mm – no option</i>		
				LLL= Total Length in mm					
				<i>P=Positions</i>					
				NN= No of Wires: 10 to 80					
				T= Type: A= same Side / B= Opposite Side					
FACIL Product Series = FFC Aix Catcher IRISO Auto-i-Lock LVDS 100 Ω									

*High Speed - Data rate up to 10Gbit for lengths up to 150mm / 5Gbit for lengths up to 900mm

Wire options

P/N	Thickness	Width	Resistance (Ohm)	Rated Current	Plating
32	0,032	0,28	2.6Ω/m	0.3A	Au
33	0,035	0,3	2.0Ω/m	0.3A	Au (optional Sn)
53	0,05	0,3	1.6Ω/m	0.4A	Au

Contact us for customizations:

- Shielded with double side wrapped shield
- Shielded with double side laminated shield
- 125°C FFC unshielded
- Double sided LVDS with Impedance 90Ohm or 100Ohm –up to 17Gbit/sec
- Other wire dimension
- Special print or labels
- Folding

FACIE-xx
 FACIE-xx-L
 FACIB-xx-T
 FACIL-xx-HD

Environmental

The products meet EU RoHS Directive 2011/65/EU, including the delegated regulation (EU) 2015/863
 The products meet EU REACH Directive 1907/2006/EU



1.Scope

FACIL-xx-H LVDS 100Ω 10Gbit/sec High Speed FFC for IRISO IMSA Auto-i-Lock series

For Laminated Flat Cable (Flat Conductor) With Reinforcing Tape

2. Applicable documents

The specification covers the construction and electrical properties of laminated flat cable (Flat Conductor) with reinforcing tape based on UL subject 757.

3. Material

- 3.1 Insulation: PET, White, T=0.06mm, UL20706 105°C 60V VW-1
- 3.2 P/ Tape: PET, T=0.225mm
- 3.3 Conductor: Cu, 0.28*0.032mm
- 3.4 Plating: Au (2μ" min)

4. Rating

- 4.1 Operating Voltage : 60V
- 4.2 Current Rating : 0.3A
- 4.3 Normal use Inserting: 5 cycles
- 4.4 Ambient Temperature Range: -40 ~ + °C 105°C
- 4.5 Warehouse Conditions: 25°C±15°C ; ≤60%RH

5. 6. Appearance

Reference 《DOC-JWI-QA0121-XXX FFC Inspection SOP

6 Tests

Item	Test Method	Specification
Conductor resistance	JIS C3102 at 20°C	See table
Insulation resistance	JIS-C3102	>100 MΩ
Dielectric withstanding voltage between conductors	AC250V 1min (0,5mm Pitch)	No Breakdown Current Leakage 1mA max
Flexing	180° bending	>20 Cycles
	U-Bending R5x50mm Stroke 60 cycles / min	>100.000 Cycles
Heat Resistance	+105°C 96hrs	Insulation and Dielectric withstanding Voltage pass
Cold Resistance	-40°C 96hrs	Insulation and Dielectric withstanding Voltage pass
High Temperature High Humidity	+60°C (90-95)%RH 96hrs	Insulation and Dielectric withstanding Voltage pass
Temperature Cycling	- 40°C 4hrs +25°C 2hrs +105°C 4hrs +25°C 2hrs	Insulation resistance and dielectric withstanding voltage pass
Salt Spray	+35°C 24hrs PH 6.5-7.2	before and after test, no corrosion and oxidation at contact area

7 Special Attention

- 7.1 Please hold supporting tape, then insert or pull out the FFC from a connector in a straight
- 7.2 When insert to connector, please avoid excessive force
- 7.3 After insert to connector, shall be not bended at Supporting-tape excessive, because Joiner is broken
- 7.4 For gold plated FFC, there is the Ni-plating, so please do not bend the FFC at the terminal part of Conductor. Otherwise a crack will be occurred at the plated part; after insert into the Connector, please also do not bend the FFC at the part of Supporting-tape, otherwise a crack will be occurred at the plated part.
- 7.5 Please avoid excessive force around supporting-tape
- 7.6 Please evaluate FFC properties in advance when use under particular condition (High temperature, High Humidity etc). There is possibility to be corrosion after 6 month
- 7.7 Please avoid the moving wiring at bending portion
- 7.8 Please estimate enough space when Joiner is used the moving wiring
- 7.9 When dropped to the floor, please clean Joiner's leads
- 7.10 Please don't touch the terminal part of the Conductor by hand, for it will cause discolored or rusted
- 7.11 Please don't use the sulfurous material together with the FFC to prevent short circuit between sulfurized conductors
- 7.12 Before Assembly: Expiry Date For One Year
After Assembly: Expiry Date For Fifteen Years