

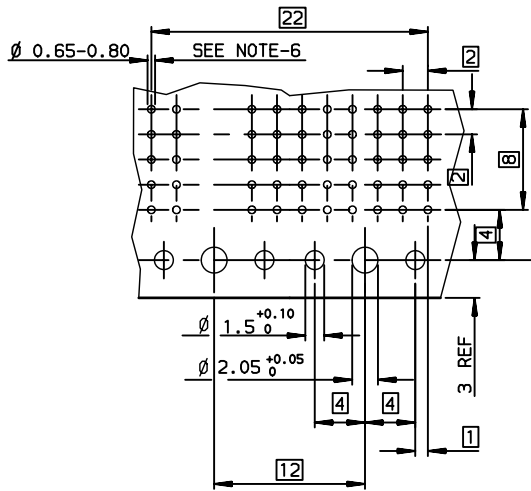
1

2

3

4

LAYOUT FOR P.C.B



TIN LEAD PART NUMBER

Part Number: HM1F52FDP373H6

LEAD-FREE PART NUMBER

Part Number: HM1F52FDP373H6LFL

NOTE-1: PRESS-IN RETENTION PEG

NOTE-2: CONNECTORS WITH PCB-2.4mm ARE COMPATIBLE WITH WIDE AND NARROW BODIES

NOTE-3: PLUG FOR CODING KEY FIXING

NOTE-4: EYE OF THE NEEDLE PRESS-FIT CTS TYPE

NOTE-5: FLAT ROCK INSERTION TOOLING IN PCB, SEE DRW REF:C-8626-1003

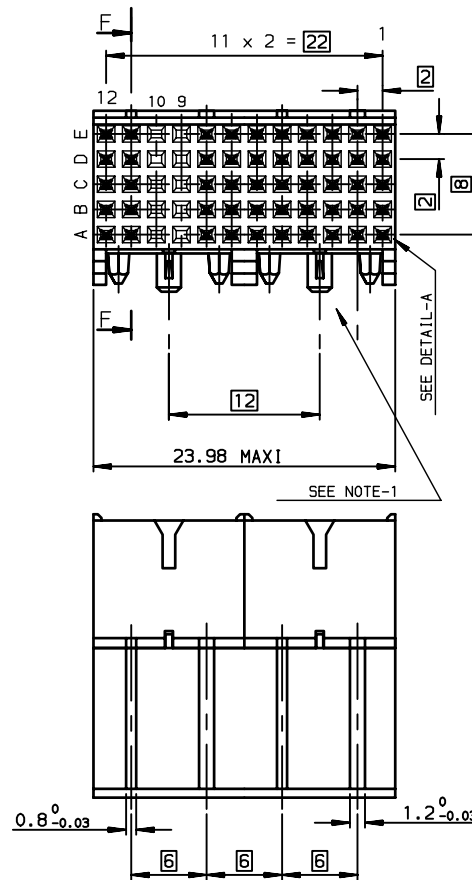
NOTE-6: METALIZED HOLE DEFINITION,SEE GS-12-447

NOTE-7: STANDARD PACKAGING IS IN TUBE ,BUT IF SUFFIX "P" IS ADDED IN P/N ,PACKAGING IS IN TRAYS ,BUT CONNECTOR MARKING IS WITHOUT "P" Example: HM1FxxxxxxxH6PLF, marking: HM1FxxxxxxxH6LF

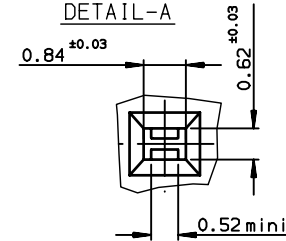
SPECIFIC DATAS

- NO CONTACT IN COLUMN 9-10
- 50 CONTACTS IN 60 WAY HOUSING

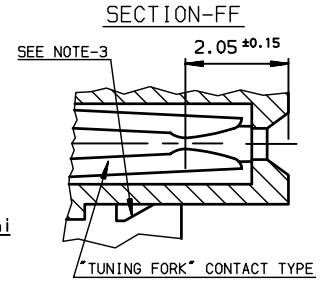
rev	ecn no	dr	date
C	-	CHA	1999/10/17
D	LS05-004	MLE	2005/02/22
E	LS06-0095	LGO	2006/07/08
F	LS06-0159	MLE	2006/10/24
G	LS07-0266	MLE	2007/11/09
-	-	-	-
-	-	-	-



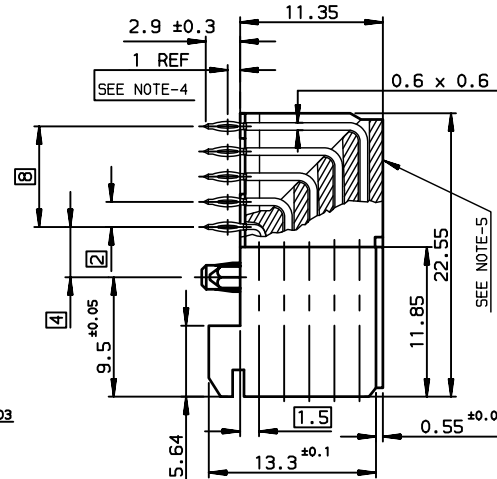
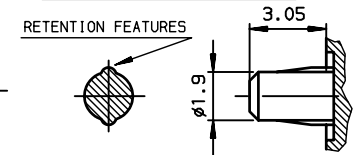
DETAIL-A



SECTION-FF



DETAIL OF PRESS-IN PEGS



GENERAL CHARACTERISTICS AND ROHS INFORMATIONS:

SEE GS-12-447

European Views

www.fciconnect.com		surface ISO 1302 ✓	tolerance std ISO 406 ISO 1101	projection mm
TOLERANCES UNLESS OTHERWISE SPECIFIED				
Dr	CHAMPION	1999/10/11	ANGULAR	0.X ± 0.1
Eng	LENOIR	1999/10/11	LINEAR	0.XX ± 0.1
Chr	LEGARE	1999/10/11	0.XX' ± 2'	0.XXX ± 0.1
Appr	LEGARE	1999/10/11	Product family	METRAL
title METRAL FEMALE 5 ROW 50 CTS		size A3		Scale 2.5
SPECIFIC FOR ALCATEL		ECN		LS07-0266
catalog no		Spec ref		-
dwg no		C-8626-11015		Rev. G
CUSTOMER		sheet 1 of 1		

1

2

3

4



Copyright FCI.