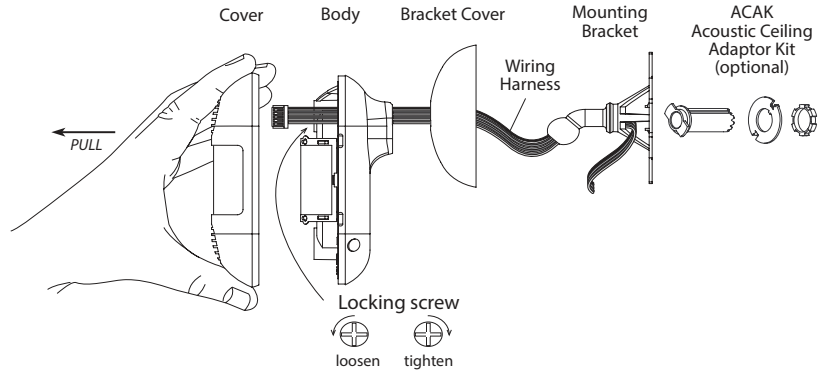
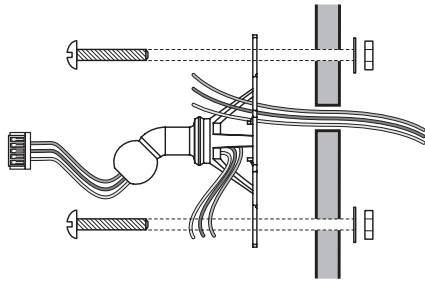


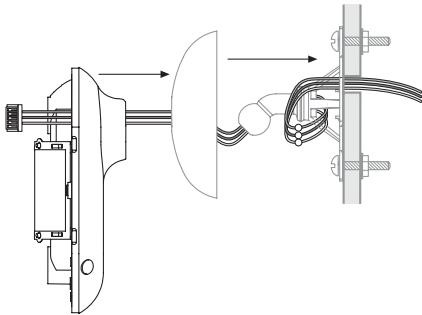
LIGHTOWL

LightOWL® Dual Technology Passive Infrared and Acoustic Sensors (LODT and LOIR) INSTALLATION INSTRUCTIONS

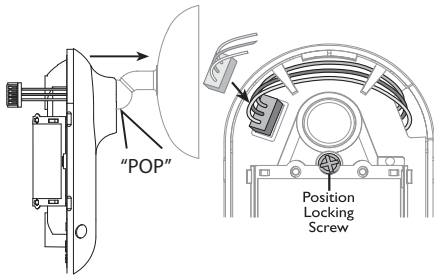
INSTALLATION



1. Insert wiring through bracket legs. Secure bracket to wall or ceiling. For ACAK Installation see page 2.

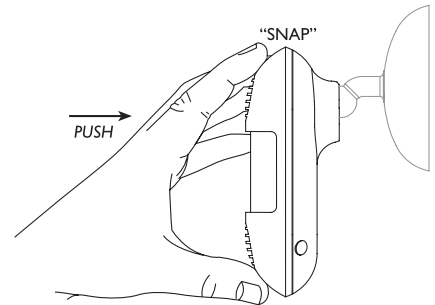


2. Connect building wiring harness with wire nuts. Snap bracket cover in place to conceal wiring and bracket. Feed wiring harness through the back of the sensor body and out exit slot.

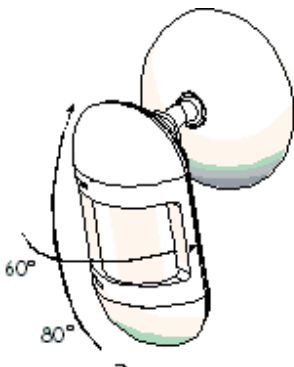


3. Snap sensor into mounting post. Plug wiring harness into connector located on the left side opposite exit slot and place wiring under wire tabs. Align sensor and tighten position locking screw.

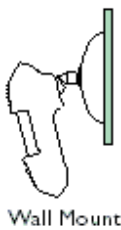
4. Replace sensor cover.



INSTALLATION OPTIONS

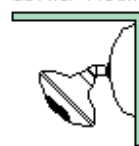


Ceiling Mount



Wall Mount

Top View
Corner Mount



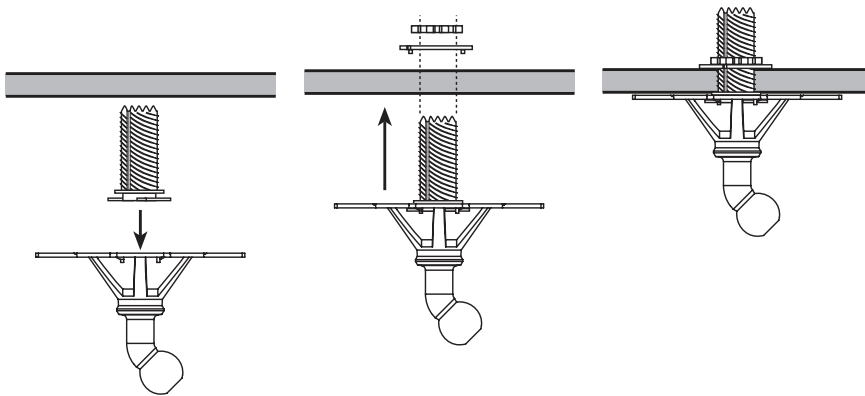
72-00122, Rev. C

LIGHTOWL

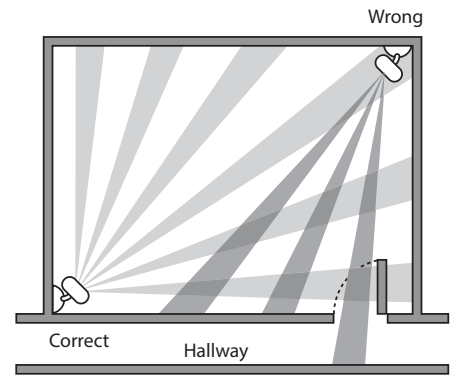
LightOWL® Dual Technology Passive Infrared and Acoustic Sensors (LODT and LOIR)

INSTALLATION INSTRUCTIONS SENSOR PLACEMENT

ACAK INSTALLATION (optional)

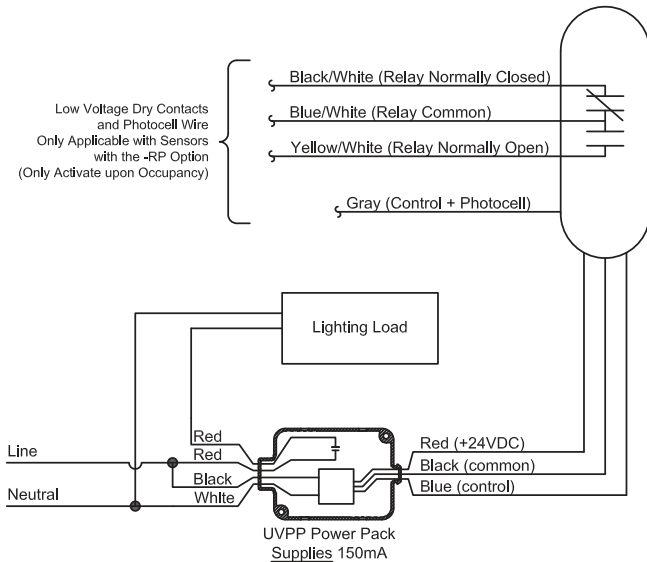


Insert ACAK into mounting bracket and twist clockwise 90° to lock into place. Screw bracket and self-cutting AKAC into ceiling tile and secure with washer and nut.

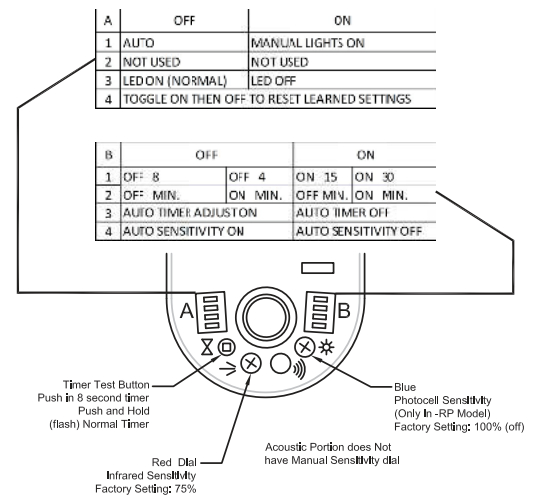


When placing the sensor in a room, do not place where the sensor is aimed out through a door. The sensor can detect hallway traffic, forcing lights-on.

PHYSICAL WIRING



CONTROLS



TROUBLE SHOOTING

Problem	Possible Cause	Test	Result
HID Lights Flash Bright-Dim-Bright	Control "Floating"	Unplug all RJ-12 from Flashing Lamp	Replace Affected Cable
Lights Stay Dim	Low Voltage Shorten to + 10V	Unplug all RJ-12 from Flashing Lamp	Replace Affected Cable
Lights Won't Dim	15.4 minute Warm Up	Wait 16 minutes	Normal Operation
Lights Won't Dim	Common Shorted to Control	Remove all but One sensor from Control	Test One sensor at a time

72-00122, Rev. C