



PLUG IN SIM Card Connector
compatible to GSM 11.11 Standard

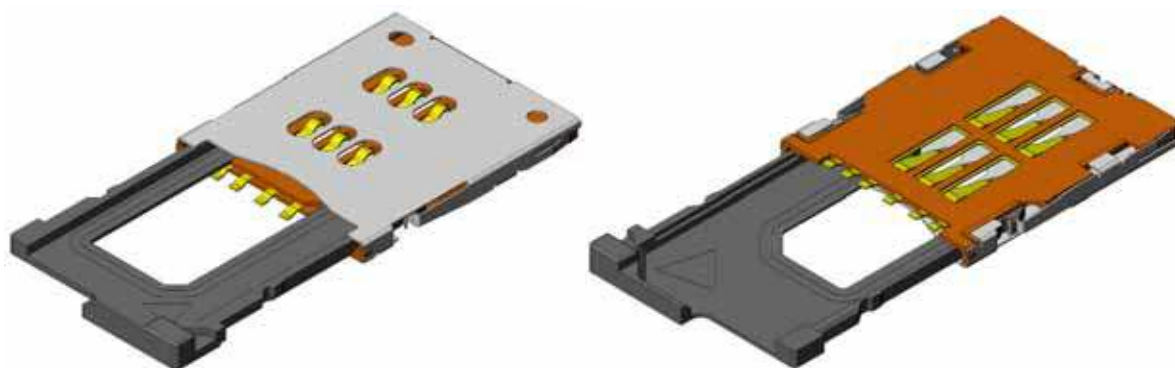
CONNECTOR

MB-0165-1

SF9 Series

December 2006

RoHS Compliant



[Outline]

SF9 Series is a tray type connector compatible with GSM 11.11 standard Plug in SIM card for GSM mobile phones.

(SIM: Subscriber Identification Module)

Features

- Tray type connector for GSM 11.11 standard Plug in SIM card
- Low profile structure, 1.8mm height, 18.9mm width, 22mm depth (26.5mm when card is inserted)
- Two types of mounting, normal and reverse (reverse type now under development)
- Connector main body is provided in emboss (compatible to second reflow), tray provided in tray.
- 5 portions of H/D ensures EMI/ ESD countermeasure and gives consideration to prevention of instantaneous interruption caused by falling.
- Retention lock on tray provides click feeling when mated, and makes positioning easier and also prevents falling of tray.

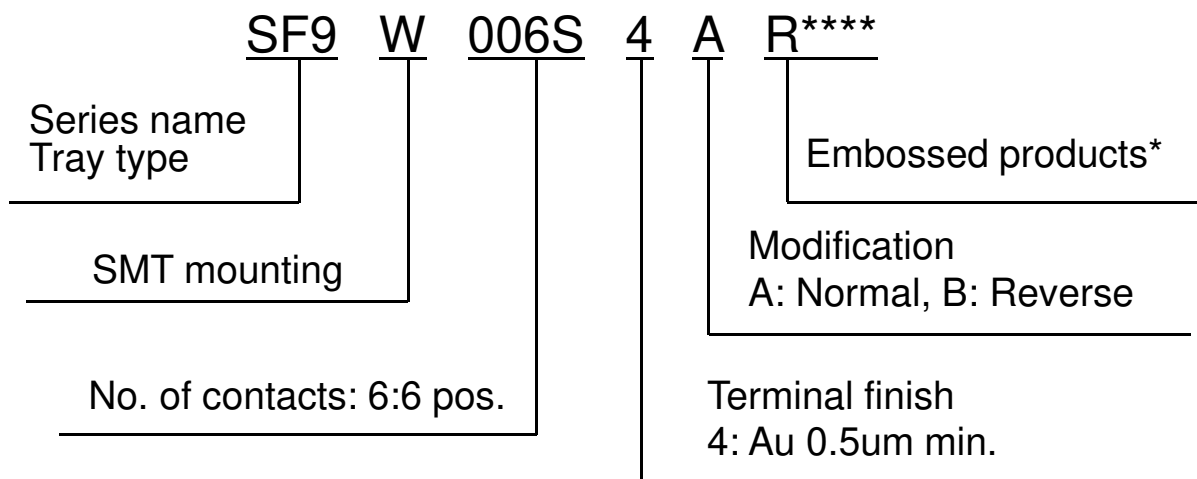
General Specification

- | | |
|------------------------------------|-----------------------------|
| •No. of Contacts: 6pos. | •Rated current: 10u A to 1A |
| •Contact resistance: 100m ohm max. | •Insulation resistance: |
| •Dielectric withstanding voltage: | 1000M ohm min. |
| AC500Vr.m.s 1minute | •Lifetime:5000 times |
| •Operating temperature: | |
| -40 Deg. C to +90 Deg. C | |

Materials and Finishes

Components	Materials/ Finishes
Contact	Copper alloy/ 0.5u min. Au over Ni
Housing	Glass filled LCP/ none(UL94V-0)
Cover frame	Stainless steel/ Au plating over Ni (Terminal portion only)
Tray	PC/ none (UL94V-0)

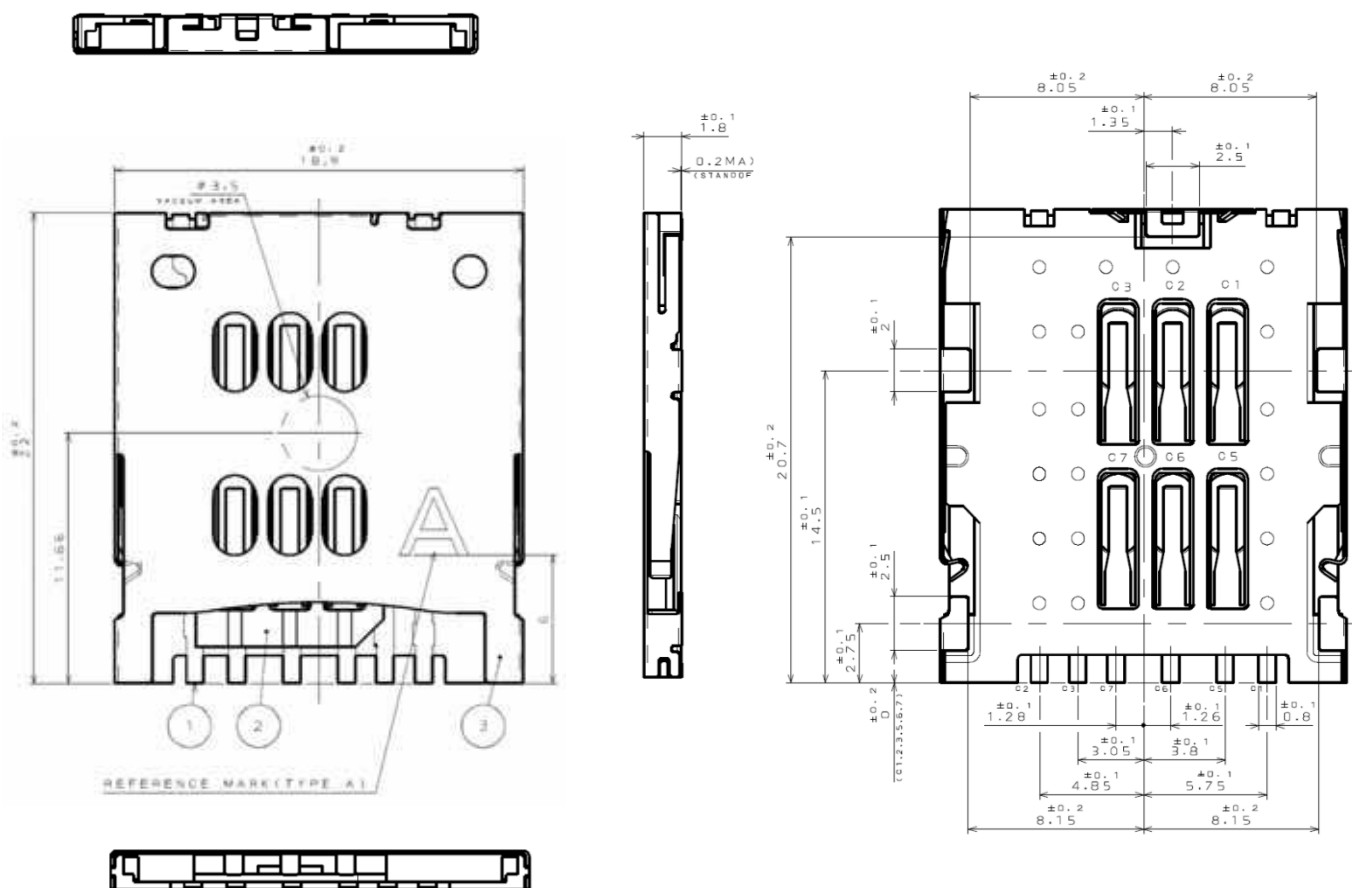
Ordering Information



Note) Main body of connector is supplied in emboss, tray in tray packaging.
Please contact us for further information.

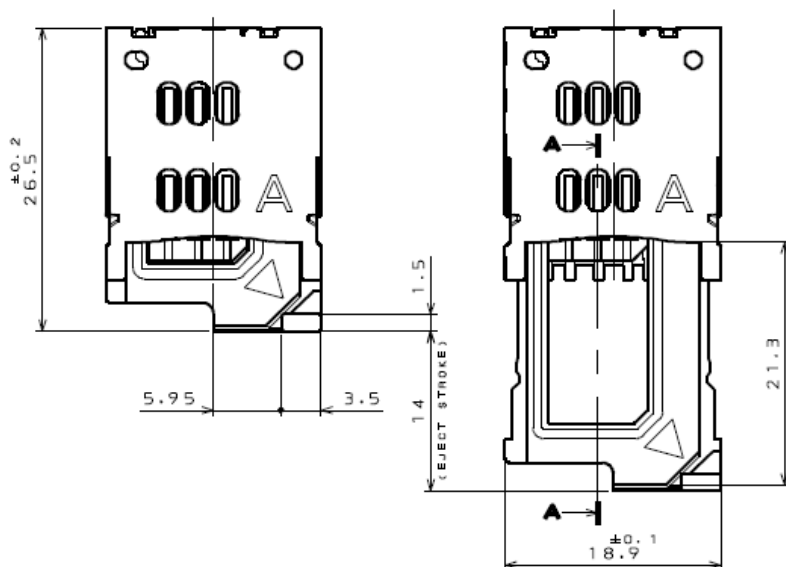
Please refer to JAHL-10395 for assembly and handling of connector and tray.

Part Number	SJ Drawing
SF9W006S4A (Main body of connector)	SJ107199
SF9-STS1-A (Type A tray)	SJ107201

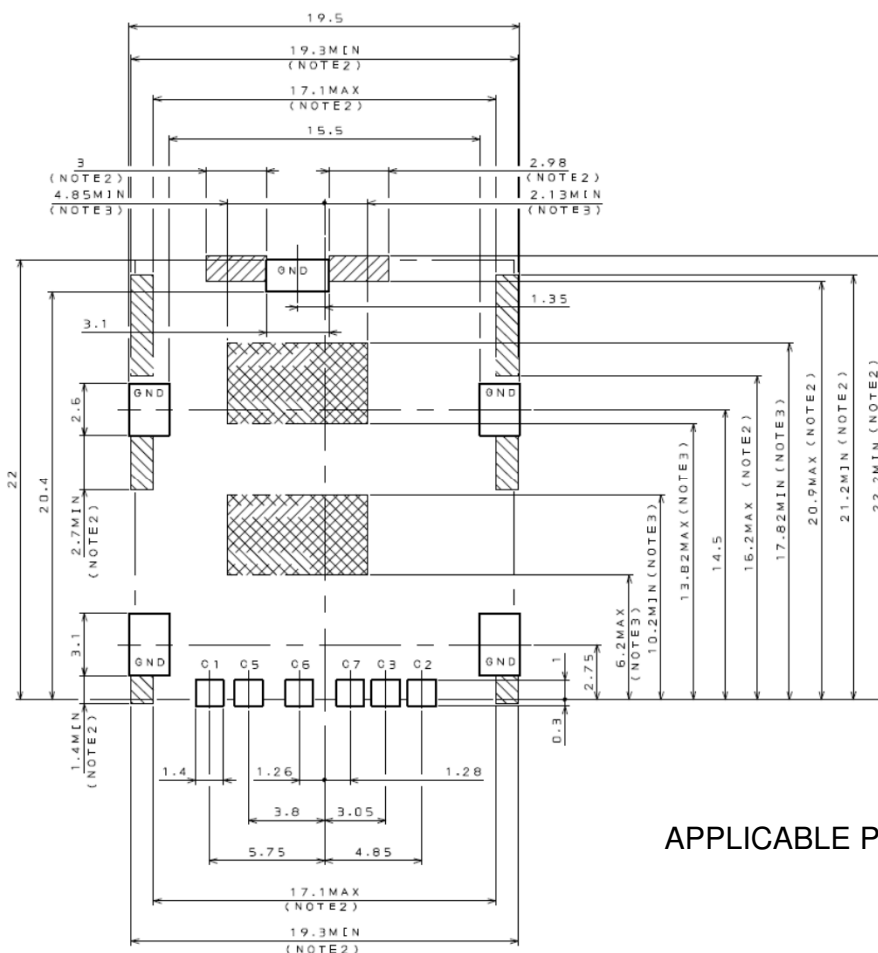


REFERENCE MARK (TYPE A)

Unit: mm



SLIDE TRAY ASSEMBLED CONDITION



APPLICABLE P. C. B. DIMENSION (REF)

Note 1. Coplanarity should be 0.1mm max.

Note 2. No pattern and via hole should be located in shaded areas.

Note 3. No pattern via hole and solder resist in double shaded areas.

Note 4. No parts located in this area.

Note 5. Applicable slide tray is "SF9-ST51-A(SJ107201)" Assembly is "JAHL-10395".

Note 6. The thickness of reinforcement board is 0.6 mm min when the product is mounted on FPC.

Japan Aviation Electronics Industry, Limited

Notice: Products shown in this leaflet are made for the applications listed below. However, if the above-mentioned products are to be used in aerospace devices, marine cable-connection devices, atomic power control systems, medical equipment for life-support systems, or any other specific application requiring extremely high reliability, please contact JAE for further information.
 Recommended applications: Computers, Office machines, Measuring devices, Telecommunication devices (Terminals, Mobile devices), AV devices, Household applications, FA devices, etc.

* The specifications in this brochure are subject to change without notice. Please contact JAE for information.