



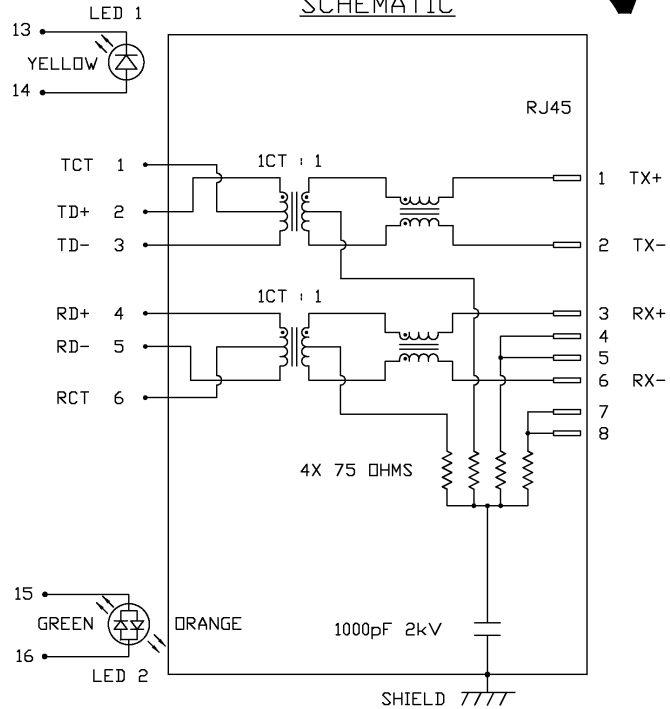
THE INFORMATION CONTAINED HEREIN IS CONSIDERED "PROPRIETARY" TO BEL FUSE INC. AND SHALL NOT BE COPIED, REPRODUCED OR DISCLOSED WITHOUT THE WRITTEN APPROVAL OF BEL FUSE INC.

LED1 POLARITY			LED2 POLARITY		
PIN 13	PIN 14	COLOR	PIN 15	PIN 16	COLOR
-	+	YELLOW	+	-	ORANGE
			-	+	GREEN

ELECTRICAL CHARACTERISTICS @ 25°C

<p> URNS RATIO TX 1CT : 1 RX 1CT : 1 DCL @ 100kHz/100mVRMS 8mA DC BIAS 350μH MIN. INS. LOSS 1MHZ TO 100MHZ -1.0 dB MAX RET. LOSS (MIN) 1MHZ-30MHZ -18 dB 30MHZ-60MHZ -18+20LOG(F/30MHZ) dB 60MHZ-80MHZ -12 dB CROSS TALK (TX - RX) 500kHz-100MHZ -35 dB MIN CM TO CM REJ 100kHz-100MHZ -30 dB MIN CM TO DM REJ 100kHz-100MHZ -40 dB MIN HIPOT (Isolation Voltage): 1500 Vrms or 2250 VDC OPERATING TEMPERATURE: -40°C TO 85°C LED 1 VF (FORWARD VOLTAGE) IF=20mA YELLOW 2.1V TYP. λD (DOMINANT WAVELENGTH) IF=20mA YELLOW 590nm TYP. LED 2 VF (FORWARD VOLTAGE) IF=20mA GREEN 2.2V TYP. ORANGE 2.0V TYP. λD (DOMINANT WAVELENGTH) IF=20mA GREEN 565nm TYP. ORANGE 610nm TYP. </p>
--

SCHEMATIC



USB ELECTRICAL:

INSULATION RESISTANCE:	1000 MEGAΩ (MIN)
CONTACT RESISTANCE:	25 MILLI Ω (MAX)
DIELECTRIC WITHSTANDING:	750 VAC

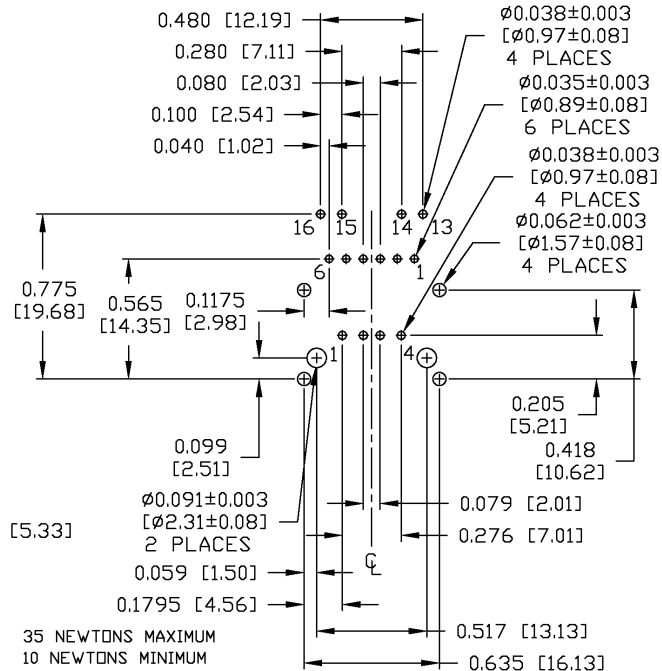
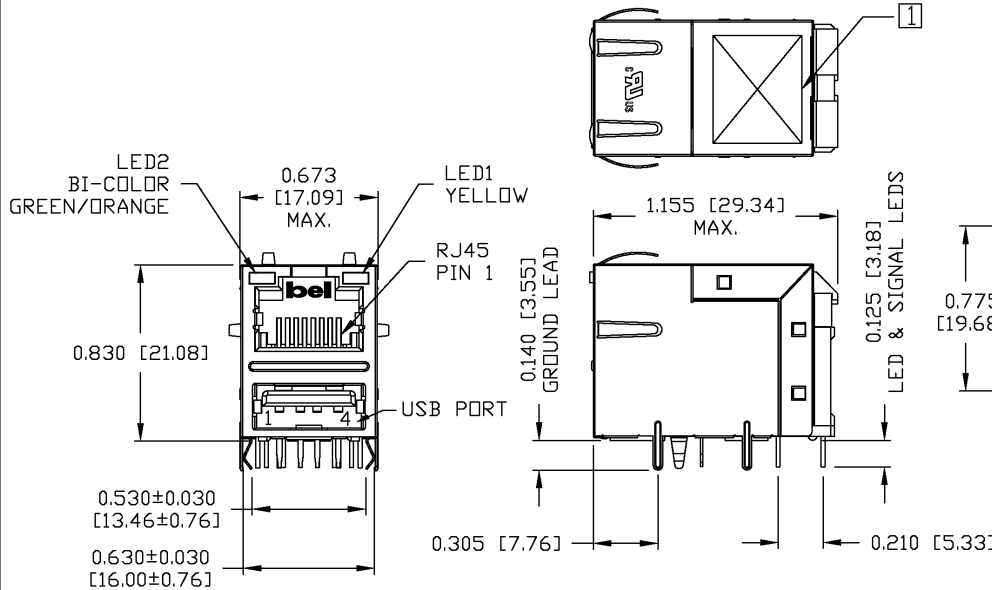
ORIGINATED BY CHUNG DATE 06-05-05	TITLE MagJack® Combo (single USB, Ext. Temp. MDIX)	PART NO. / DRAWING NO. 08211X1T36-F FILE NAME 08211X1T36-FA.DWG	STANDARD DIM. TOL. IN INCH .X .XX .XXX	[] METRIC DIM. AS REFERENCE UNIT : INCH [mm] SCALE : N/A 	REV. : A SIZE : A4 PAGE : 2
			DRAWN BY DE DATE 06-05-05	bel COMPONENTS OF A CONNECTED PLANET	

THE INFORMATION CONTAINED HEREIN IS CONSIDERED "PROPRIETARY" TO BEL FUSE INC. AND SHALL NOT BE COPIED, REPRODUCED OR DISCLOSED WITHOUT THE WRITTEN APPROVAL OF BEL FUSE INC.



MECHANICAL SPECIFICATION

RECOMMENDED PCB FOOTPRINT COMPONENT SIDE VIEW



RJ45 MECHCNICAL:

PLASTIC HOUSING: THERMOPLASTIC PBT
 FLAMMABILITY RATING UL 94V-0
 CONTACT PLATING: 30 MICRO-INCH HARD GOLD PLATING
 PINS: TIN-COATED COPPER WIRE, DIA 0.018 INCH.
 METAL SHIELD: TIN OR NICKEL PLATED ON COPPER ALLDY.
 (ALL NICKEL PLATED GROUND LEADS ARE SOLDER DIPPED)

RoHS COMPLIANCE, PER EU DIRECTIVE 2002/95/EC.

USB MECHANICAL:

MATING FORCE: 35 NEWTONS MAXIMUM
 UNMATING FORCE: 10 NEWTONS MINIMUM
 CONTACT: PROSPER BRONZE
 30 MICRO-INCH MIN GOLD PLATING ON CONTACT AREA AND LEAD-FREE TIN ON SOLDER TAIL.
 MARK PART WITH MFG. LOGO, MFG. NAME, PART NUMBER, AND DATE CODE.

UL US UL RECOGNIZED - FILE #E196366 AND E169987.

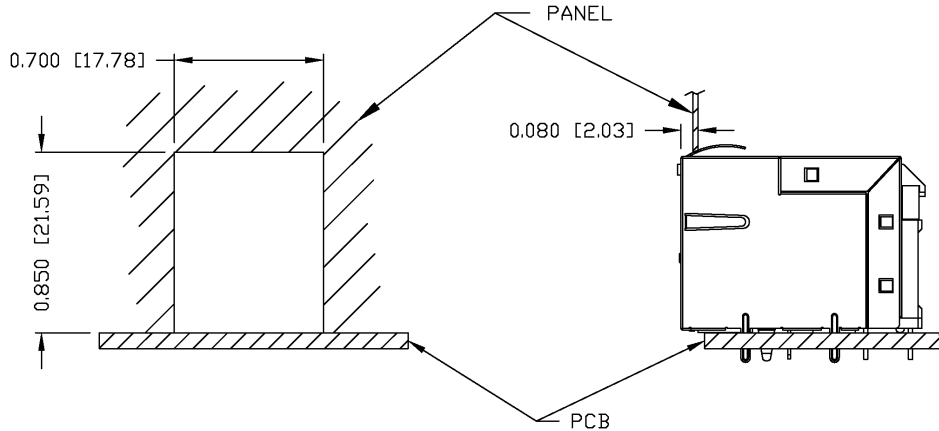
ORIGINATED BY BILL/KEUNG	DATE 06-05-05	TITLE MagJack® Combo (single USB, Ext. Temp. MDIX)	PART NO. / DRAWING NO. 08211X1T36-F	STANDARD DIM. TOL. IN INCH	[] METRIC DIM. AS REFERENCE
				.X .XX .XXX ±0.010	UNIT : INCH [mm] SCALE : N/A REV. : A
DRAWN BY QIN	DATE 06-05-05	FILE NAME 0821-1X1T-36-F	08211X1T36-FA.DWG		SIZE : A4 PAGE : 3



THE INFORMATION CONTAINED HEREIN IS CONSIDERED "PROPRIETARY" TO BEL FUSE INC. AND SHALL NOT BE COPIED, REPRODUCED OR DISCLOSED WITHOUT THE WRITTEN APPROVAL OF BEL FUSE INC.



SUGGESTED PANEL OPENING



NOTES:

THE DISTANCE OF PANEL INSIDE SURFACE RELATIVE TO FRONT SURFACE OF PART IS ONLY A SUGGESTION. IN CASE THIS DISTANCE IS DIFFERENT, THE REQUIRED PANEL OPENING DIMENSIONS CHANGE ACCORDINGLY.

PACKING INFORMATION

PACKING TRAY : 0200-0148-48 (TOP)

0200-0148-49 (BOTTOM)

PACKING QUANTITY : 60 PCS FINISHED GOODS PER TRAY

8 TRAYS (480 PCS FINISHED GOODS) PER CARTON BOX

NOTE : CARDBOARDS ARE PLACED BETWEEN LAYERS OF PACKING TRAY INSIDE CARTON BOX (INCLUDE THE UPPERMOST AND LOWERMOST TRAY)

ORIGINATED BY BILL/KEUNG	DATE 06-05-05	TITLE MagJack® Combo (single USB, Ext. Temp. MDIX)	PART NO. / DRAWING NO. 08211X1T36-F	STANDARD DIM.	[] METRIC DIM. AS REFERENCE
				TOL. IN INCH	UNIT : INCH [mm] REV. : A
DRAWN BY GIN	DATE 06-05-05	FILE NAME 0821-1X1T-36-F	08211X1T36-FA.DWG	.X	SCALE : N/A SIZE : A4
				.XX	PAGE : 4
				.XXX ±0.005	

