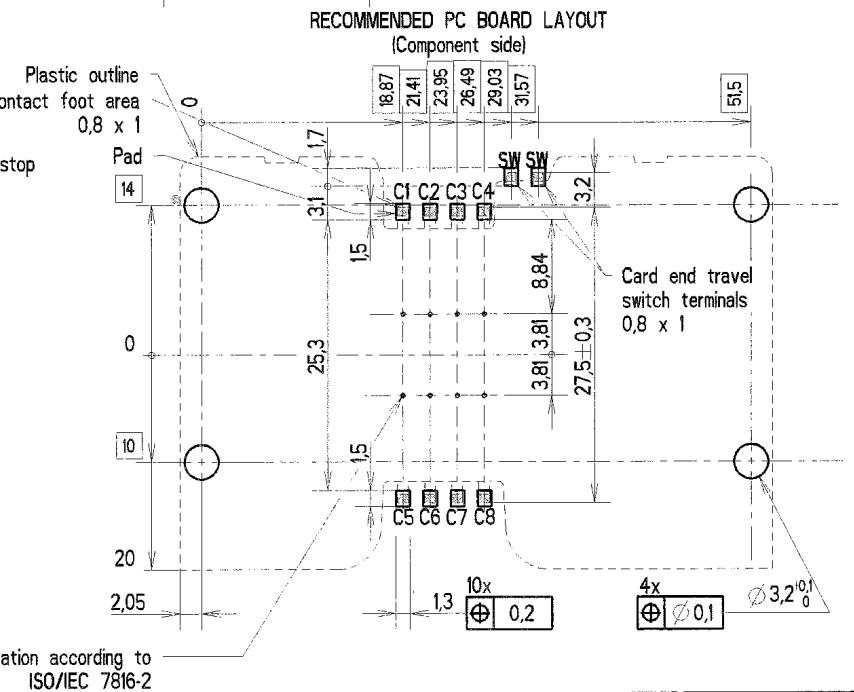
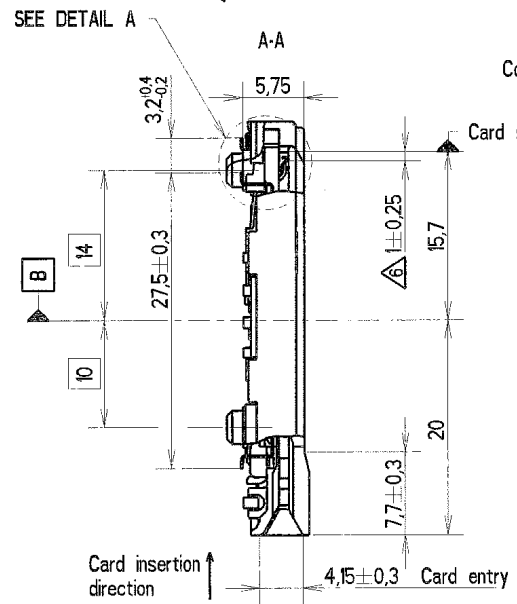
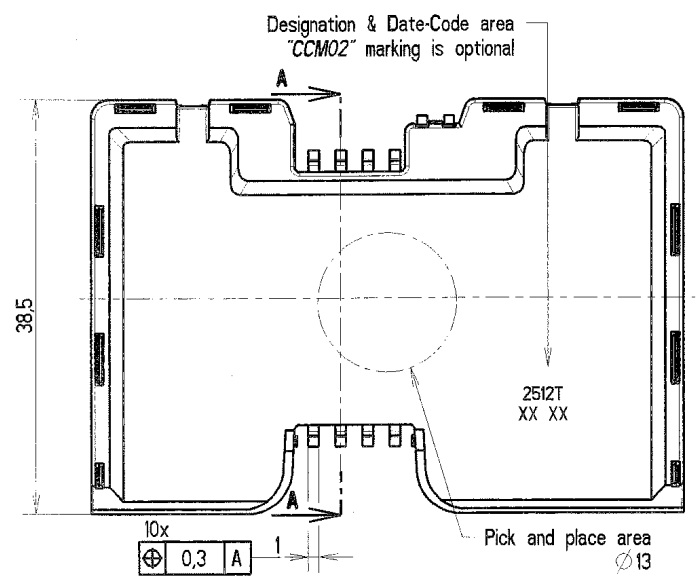
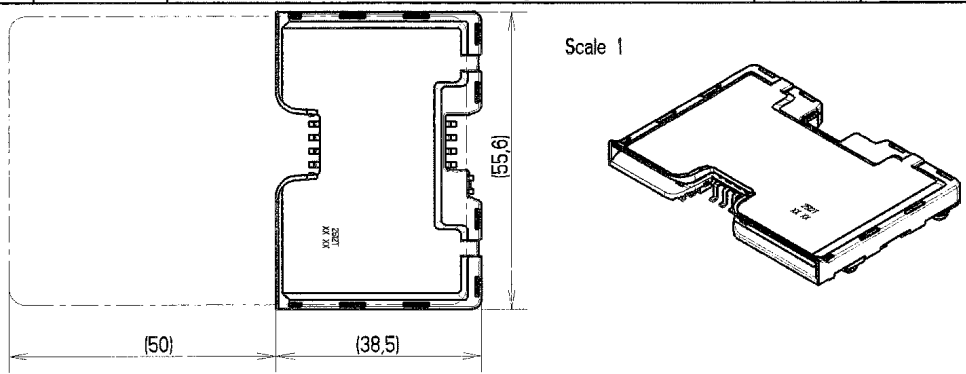
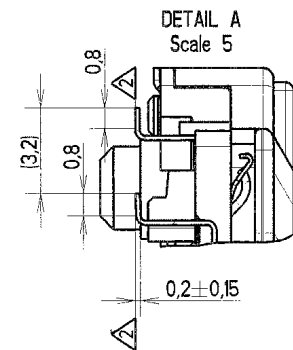
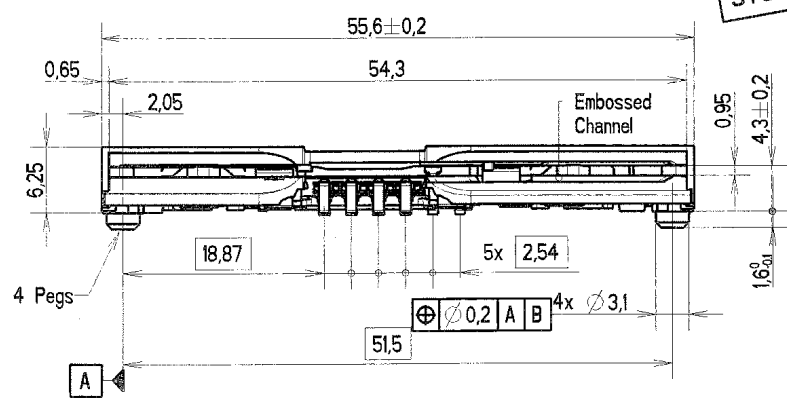


**SYSTEM CONFIDENTIAL**

REV.	N° DCR	NATURE DE LA MODIFICATION	DATE	VISA
C	ECR-1410	Marking deleted	13/12/2007	VP
D	ECR-2536	Plastic cover changed	16/07/2008	CD



- Notes :
- 1 - Termination to PCB : SMT reflow soldering  
Temperature/time profile according to :  
C&K PS-LF-001 specification.  
Since there are no boardlocks, the connector must be held in place on the PCB across the top face of the cover.
  - 2 - Level of each contact tail compared to the nearest plastic stand-off.  
Coplanarity of metal soldering surfaces : 0,15 mm.
  - 3 - Recommendation for solder paste thickness : 0,2 mm.
  - 4 - 2,5 microns min tin plating on contact terminal areas and 0,1 microns min gold plating on switch terminal areas.
  - 5 - Contacts forces :  
- max 0,5 N per contact with max. card thickness.  
- min 0,2 N per contact with min. card thickness.

- 6 - Card end travel switch NO activates when the sliding card is 1 mm from the card stop.
- 7 - For packaging on tray, see document :  
cu 030278Y0041.
- 8 - In case of customer accessories integration requesting an interface with CCM, please ask C&K for a 3D model.

MATIERE		TRAITEMENT			PROTECTION	
SAUF INDIQUE :		TOL. LINEAIRE	± 0,1	TOL. ANGULAIRE	± 2	DIMENSIONS CRITIQUES
-COTES DONNEES AVANT PROTECTION		ETAT DE SURFACE				DIMENSIONS SPC
-BAVURES ET ARETES VIVES SUPPRIMEES		Ra				
DESSINE	Y.PIZARD	DATE	28-07-05	ANALYSE	Y	LANGAGE
VERIFIE	G.PINON	DATE	16-07-08	TAB. FAM	Y	E
APPROUVE	J.HEBRAS	DATE	16-07-08	PRD/E	Y	
 C&K Components		PROJECTION 1-ER DIEDRE		DESIGNATION		
		 ECHELLE 2		CCM02-2512LFT 2x4 contacts SMT + switch NO 4 pegs		
BP 359 - 39105 Dole - FRANCE -		TAILLE	FEUILLE	NUMERO	REV	
		A3	1 / 1	CU	030288Y2512	D

CE PL 338 EST LA PROPRIETE DE C&K COMPONENTS SAS ET NE PEUT ETRE REPRODUIT OU COMMUNIQUE SANS SAU AUTORISATION

A B C D E F