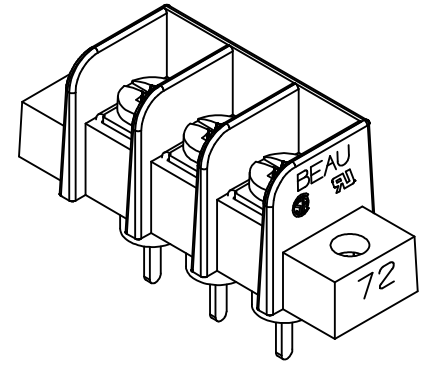
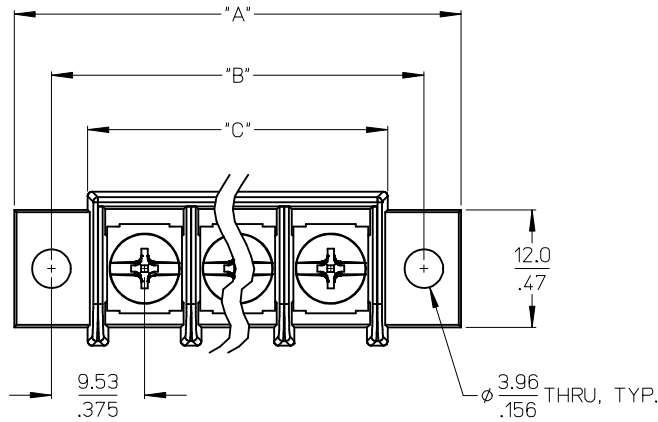
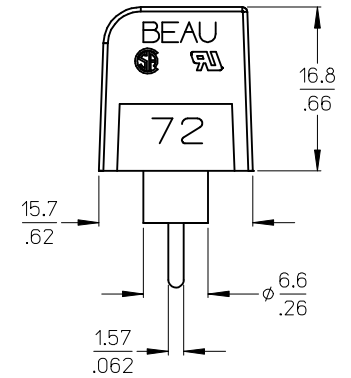
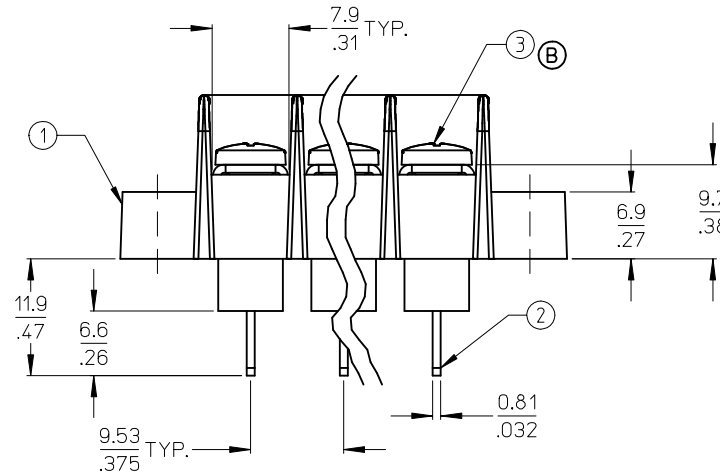


NO. OF CIRCUITS	DIM. "A"		DIM. "B"		DIM. "C"		ASSEMBLY MATERIAL NO.
	mm	in	mm	in	mm	in	
02	36.2	1.43	28.6	1.13	21.1	0.83	-
03	45.7	1.80	38.1	1.50	30.7	1.21	-
04	55.2	2.18	47.6	1.88	40.2	1.58	-
05	64.8	2.55	57.2	2.25	49.7	1.96	-
06	74.3	2.93	66.7	2.63	59.2	2.33	387291560
07	83.8	3.30	76.2	3.00	68.8	2.71	-
08	93.3	3.68	85.7	3.38	78.3	3.08	-
09	102.9	4.05	95.3	3.75	87.8	3.46	-
10	112.4	4.43	104.8	4.13	97.3	3.83	387291034
11	121.9	4.80	114.3	4.50	106.9	4.21	-
12	131.4	5.18	123.8	4.88	116.4	4.58	-
13	141.0	5.55	133.4	5.25	125.9	4.96	-



3 CIRCUIT SHOWN



NOTES:

1. MATERIAL: SEE TABLE
2. "XX" REFERS TO THE QUANTITY OF CIRCUIT POSITIONS.
3. ROHS COMPLIANT.

3	XX	SCREW, #6-32X.250, BHD PH/SL (-56 OPT) (B)	STAINLESS STEEL	PASSIVATE
2	XX	TERMINAL, WW, #6-32	BRASS	TIN PLATE
1	1	INSULATOR, CS INSL.	POLYESTER (PBT)	BLACK
ITEM	QTY.	DESCRIPTION	MATERIAL	FINISH

CHG SS SCREW DRIVE RECESS
 EC NO: IPG2013-0364
 DRAWN: JENC INAS 2012/10/31
 CHKD: JMACNEIL 2012/10/31
 APPR: JMACNEIL 2012/11/05

QUALITY SYMBOLS
 ▽=0
 ▽=0

	GENERAL TOLERANCES (UNLESS SPECIFIED)	
	mm	INCH
4 PLACES	± .13	± .005
3 PLACES	± .13	± .01
2 PLACES	± 0.13	± .01
1 PLACE	± 0.3	± .01
ANGULAR		± 2°

DRAFT WHERE APPLICABLE
 MUST REMAIN WITHIN DIMENSIONS

DIMENSION STYLE: MM/IN
 SCALE: 2:1
 DESIGN UNITS: INCH
 THIRD ANGLE PROJECTION
 DRAWN BY: C. YORK
 DATE: 2006/05/19
 CHECKED BY: JMACNEIL
 DATE: 2012/04/12
 APPROVED BY: JMACNEIL
 DATE: 2012/11/05

TITLE: 9.53/.375" SR BTS, CS, INSULATED PC ASSY
 MOLEX INCORPORATED
 MATERIAL NO. SEE CHART
 DOCUMENT NO. SD-38729-032
 SHEET NO. 1 OF 1