

6

5

4

3

2

1

E

E

D

D

C

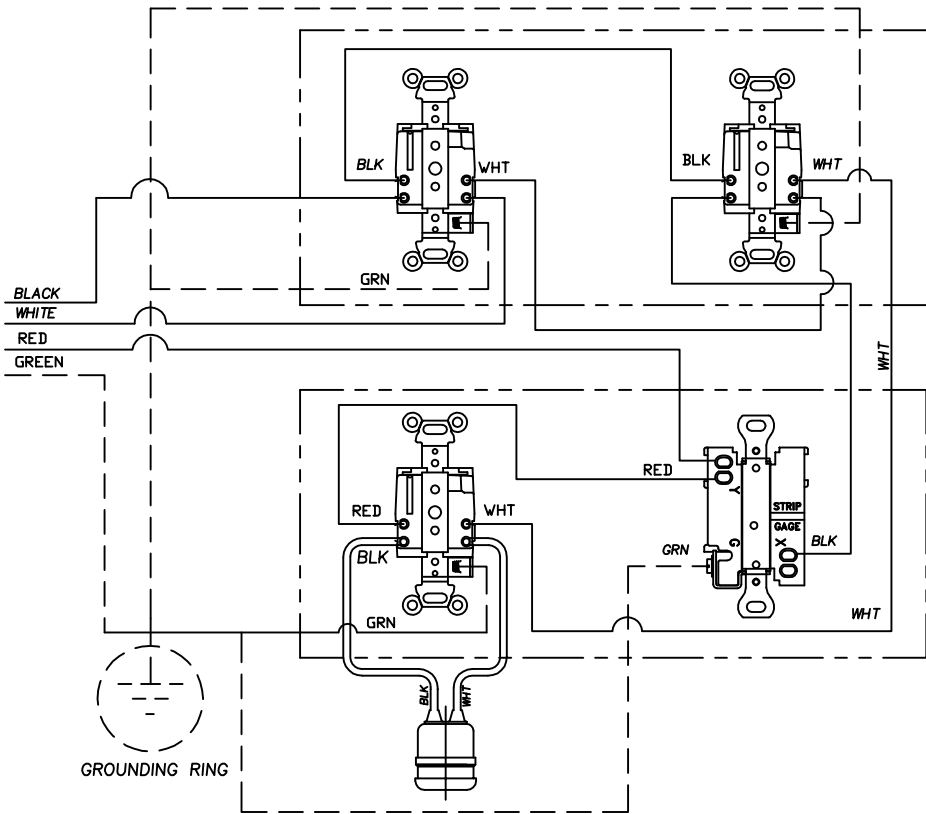
C

B

B

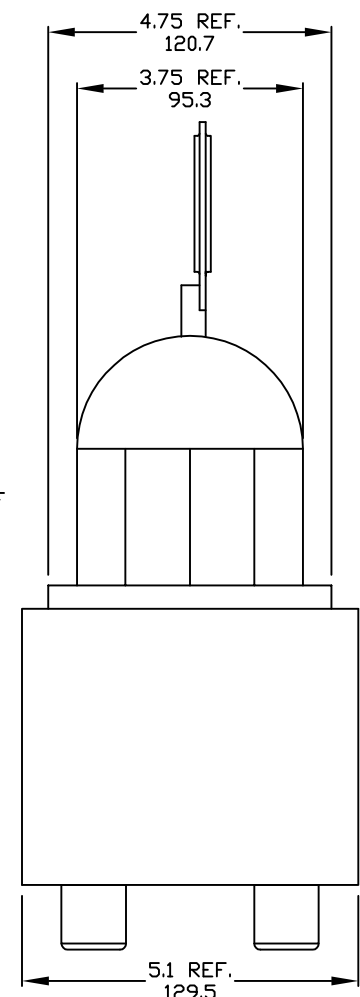
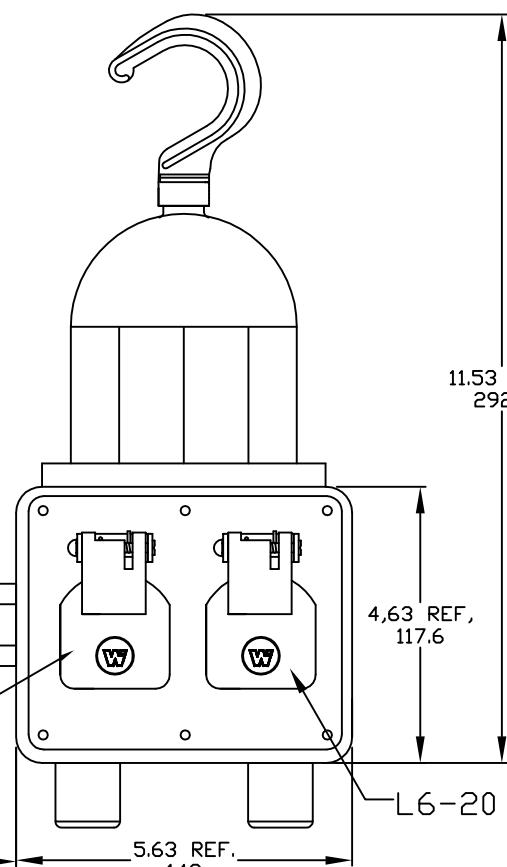
A

A



MAX-LOC MESH GRIP

FLIP-LID COVERPLATE



| CUSTOMER DRAWING EC NO: WNA2009-0738 DRWN: HKNEELAN 5/8/09 CHKD: HKNEELAN 2009/05/18 APPR: DTTITUS 2009/06/11 | REV DESCRIPTION A | QUALITY SYMBOLS ▽=0 ▽C=0 | GENERAL TOLERANCES (UNLESS SPECIFIED) <table border="1"> <thead> <tr> <th></th> <th>mm</th> <th>INCH</th> </tr> </thead> <tbody> <tr> <td>4 PLACES</td> <td>±---</td> <td>±---</td> </tr> <tr> <td>3 PLACES</td> <td>±---</td> <td>±---</td> </tr> <tr> <td>2 PLACES</td> <td>±---</td> <td>±---</td> </tr> <tr> <td>1 PLACE</td> <td>±---</td> <td>±---</td> </tr> </tbody> </table> | | mm | INCH | 4 PLACES | ±--- | ±--- | 3 PLACES | ±--- | ±--- | 2 PLACES | ±--- | ±--- | 1 PLACE | ±--- | ±--- | DIMENSION STYLE INCH DRAWN BY DATE HKNEELAN 2009/05/08 CHECKED BY DATE HKNEELAN 2009/05/18 APPROVED BY DATE DTTITUS 2009/05/08 | SCALE NTS DESIGN UNITS INCH | THIRD ANGLE PROJECTION |
|---|----------------------|---------------------------------------|---|---|---------------------------|----------------------------|----------|------|------|----------|------|------|----------|------|------|---------|------|------|--|--|------------------------|
| | | | mm | INCH | | | | | | | | | | | | | | | | | |
| | | 4 PLACES | ±--- | ±--- | | | | | | | | | | | | | | | | | |
| | | 3 PLACES | ±--- | ±--- | | | | | | | | | | | | | | | | | |
| | | 2 PLACES | ±--- | ±--- | | | | | | | | | | | | | | | | | |
| 1 PLACE | ±--- | ±--- | | | | | | | | | | | | | | | | | | | |
| DRAFT WHERE APPLICABLE MUST REMAIN WITHIN DIMENSIONS | | | ANGULAR ±.5° | TITLE ILLUMINATED OUTLET BOX 3290 W/(3) L5-15 RCPTS (1) L6-20 RPCT & MESH | MOLEX INCORPORATED | SHEET NO. 1 OF 1 | | | | | | | | | | | | | | | |
| | | | MATERIAL NO. 1301350357 | DOCUMENT NO. SD-130135-013 | | | | | | | | | | | | | | | | | |
| | | | SIZE A | THIS DRAWING CONTAINS INFORMATION THAT IS PROPRIETARY TO MOLEX INCORPORATED AND SHOULD NOT BE USED WITHOUT WRITTEN PERMISSION | | | | | | | | | | | | | | | | | |

6

5

4

3

2

1