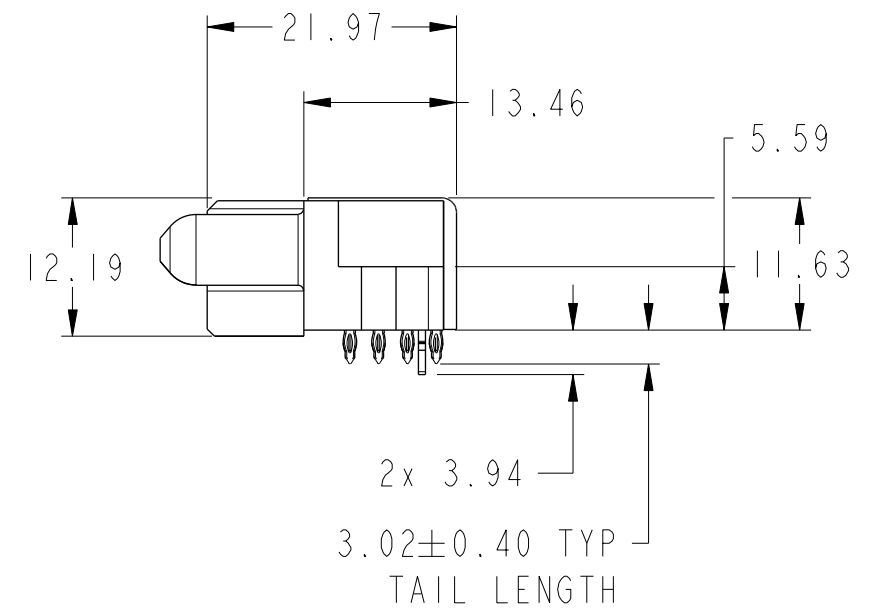
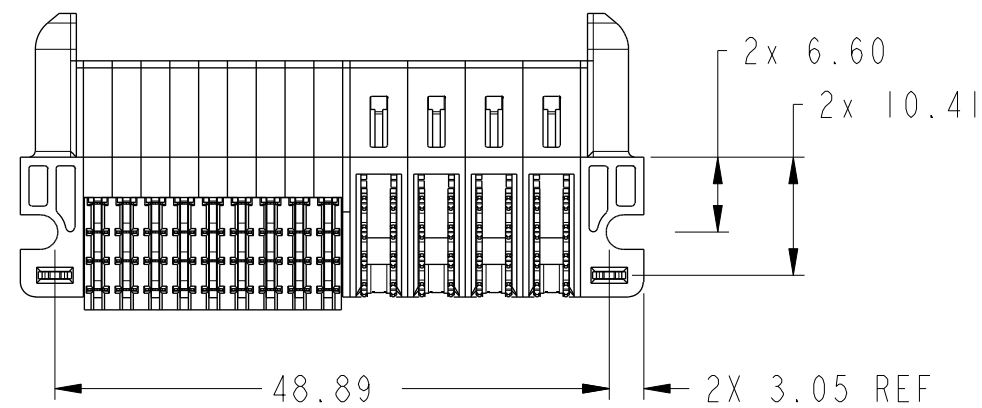
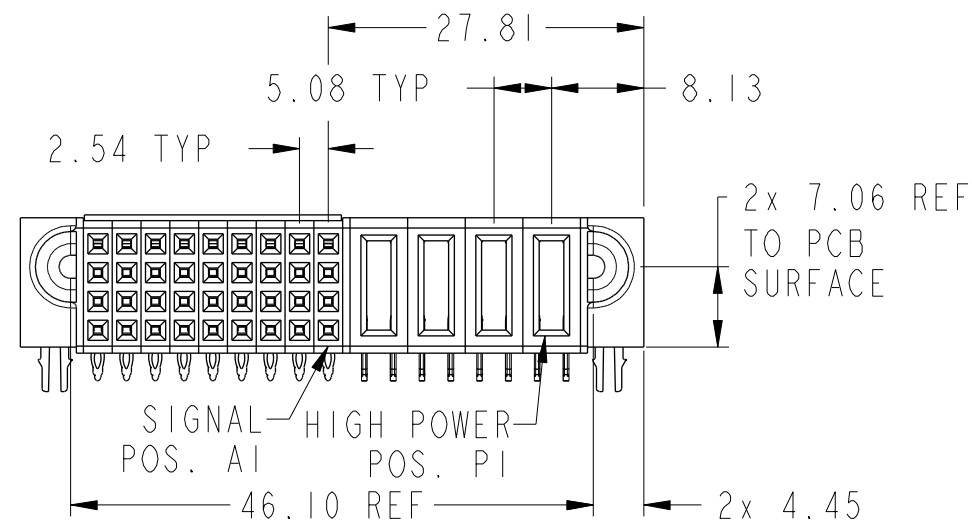
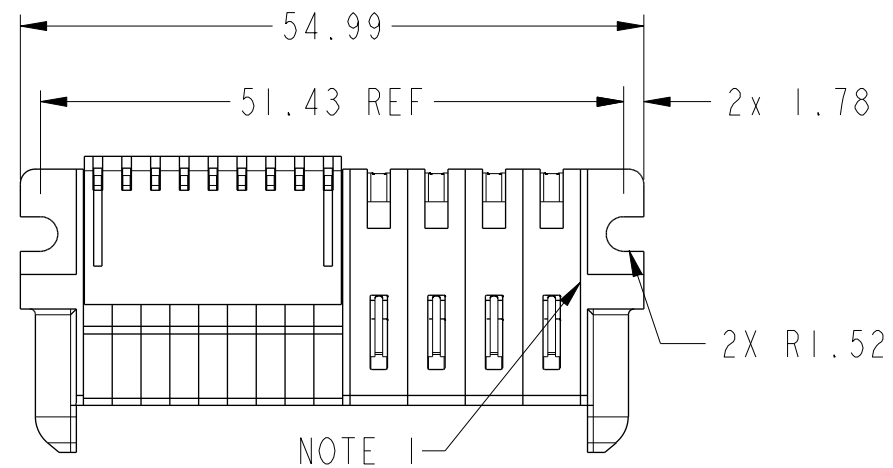


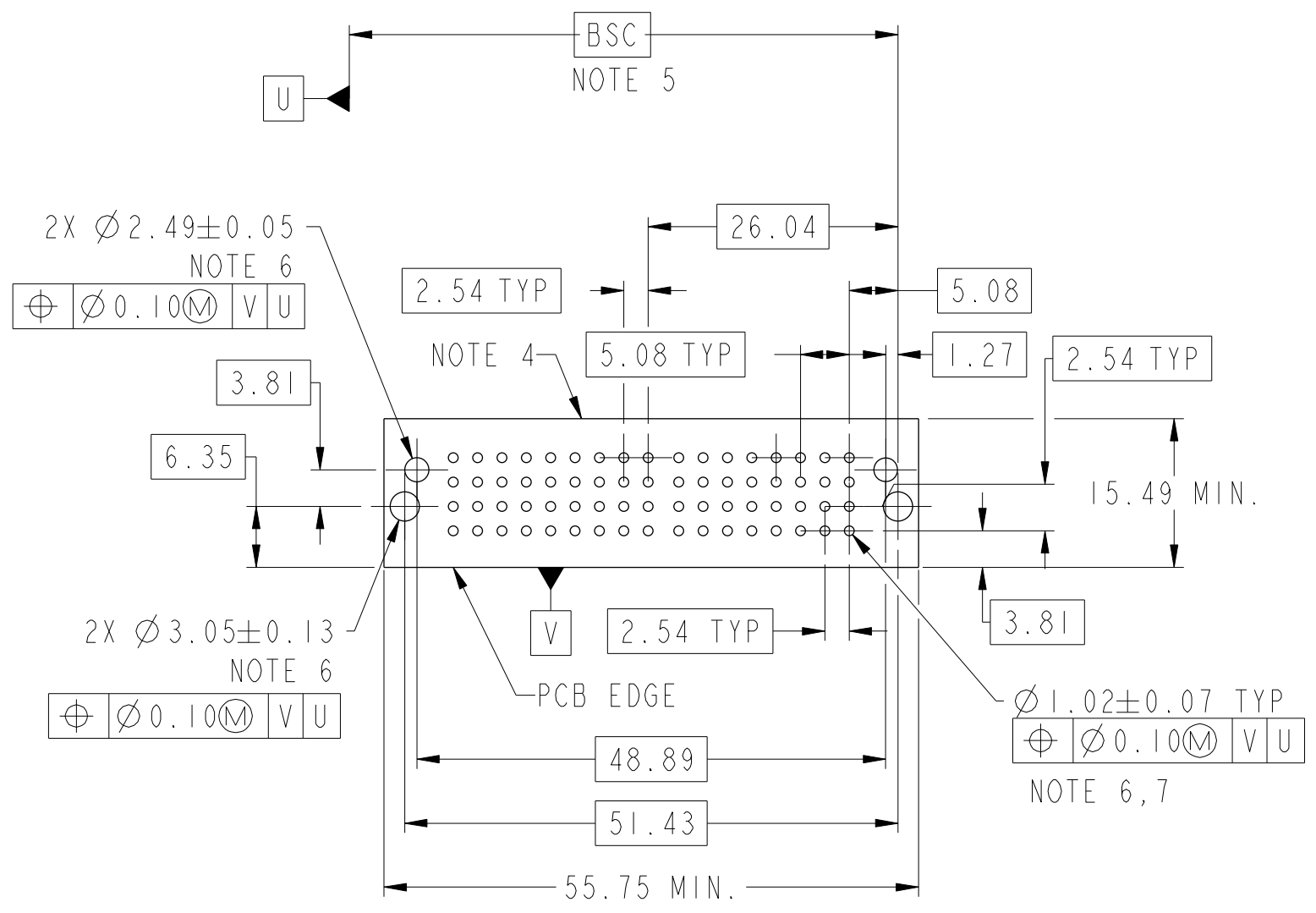
PRODUCT NUMBER SEE SHEET 2



spec ref	dr	2015/02/11	projection	MM	size	A3	scale	3:2
tolerance std	eng	2016/10/31			ecn no	ELX-DG-25195-1	rel level	Released
ISO 406 ISO 1101	chr	2016/11/02						
surface	linear	0.X	±0.5		cat. no.	Product - Customer Drw	sheet 1 of 3	rev
		0.XX	±0.25					
ISO 1302	angular	0°	±2°	4HDP + 36S	RA RECEPTACLE PF	10106135-4009101	B	

PRODUCT NO.	ROWS	SIGNAL									HIGH POWER							
		E1	9	8	7	6	5	4	3	2	1	P4	P3	P2	P1	E2		
10106135-4009101LF	D C B A	S	S	S	S	S	S	S	S	S	H5	H5	H5	H5				

CODE	DESCRIPTION
H5	MFBL HIGH POWER CONTACT(3.02)
HA	METAL HOLD DOWN
N	STD SIGNAL CONTACT, ROW A
P	STD SIGNAL CONTACT, ROW B
R	STD SIGNAL CONTACT, ROW C
S	STD SIGNAL CONTACT, ROW D



Amphenol
FCi

© 2016 AFCI

spec ref	dr	2015/02/11	projection	MM	size	A3	scale	3:2
tolerance std	eng	2016/10/31			ecn no	ELX-DG-25195-1	rel level	Released
ISO 406 ISO 1101	chr	2016/11/02						
surface	appr	2016/11/02			part no	10106135-4009101	rev	B
ISO 1302			4HDP + 36S RA RECEPTACLE PF		cat. no.	Product - Customer Drw	sheet 2 of 3	

A

B

C

D

A

B

C

D

NOTES:

- 1) PRODUCT MARK:
PART NUMBER AND DATE CODE TO BE MARKED ON THIS SURFACE .
THE MARK CAN BE OMITTED IF THERE IS NOT ENOUGH SPACE ON THIS SURFACE.
- 2) MATERIALS:
-HOUSING : HIGH TEMP THERMOPLASTIC WITH GLASS FIBER, UL94V-0, BLACK.
-POWER CONTACT : HIGH CONDUCTIVITY COPPER ALLOY.
-SIGNAL CONTACT : COPPER ALLOY.
- 3) PLATING SPECIFICATION : 10124315
- 4) DENOTES CONNECTOR KEEP OUT ZONE.
- 5) DATUM AND BASIC DIMENIONS ARE ESTABLISHED BY CUSTOMER.
- 6) ALL HOLE DIAMETERS ARE FINISHED HOLE SIZES.
- 7) 1.15+/-0.025MM DRILLED HOLE PLATED WITH 0.00762MM MIN SN
OVER 0.0254-0.0762MM CU PLATING TO ACHIEVE A 1.02+/-0.07MM HOLE.
- 8) THIS PRODUCT MEETS EUROPEAN UNION DIRECTIVES AND OTHER COUNTRY
REGULATIONS AS DESCRIBED IN GS-47-0004.
- 9) THE VOID CORING IN BETWEEN POWER MODULES, SIGNAL MODULES AND
END MODULES ARE OPTIONAL AND THE SHAPE MAY BE DIFFERENT FOR
OPTIMIZE THE MOLDING PROCESS. THE VOID CORING WILL NOT EFFECT
TO PRODUCT FUNCTION.
- 10) PRODUCT SPECIFICATION : GS-12-658.
APPLICATION SPECIFICATION : GS-20-141.
PRODUCT PACKAGE SPECIFICATION: GS-14-1502.

Amphenol
FCi

© 2016 AFCI

spec ref		dr	Rainbow Zhan	2015/02/11	projection 	MM ←→	size	A3	scale	3:2
tolerance std ISO 406 ISO 1101		eng	Vicking Liu	2016/10/31			ecn no	ELX-DG-25195-1		
TOLERANCES UNLESS OTHERWISE SPECIFIED		chr	Fancy Zhang	2016/11/02	product family	PwrBlade+	rel level		Released	
		appr	Pei-Ming Zheng	2016/11/02						
surface ISO 1302	linear	0.X	±0.5	Amphenol FCi	4HDP + 36S RA RECEPTACLE PF	dwg no	10106135-4009101	rev	B	
		0.XX	±0.25							
0.XXX	±0.10									
	angular	0°	±2°	cat. no.	Product - Customer Drw	sheet 3 of 3				