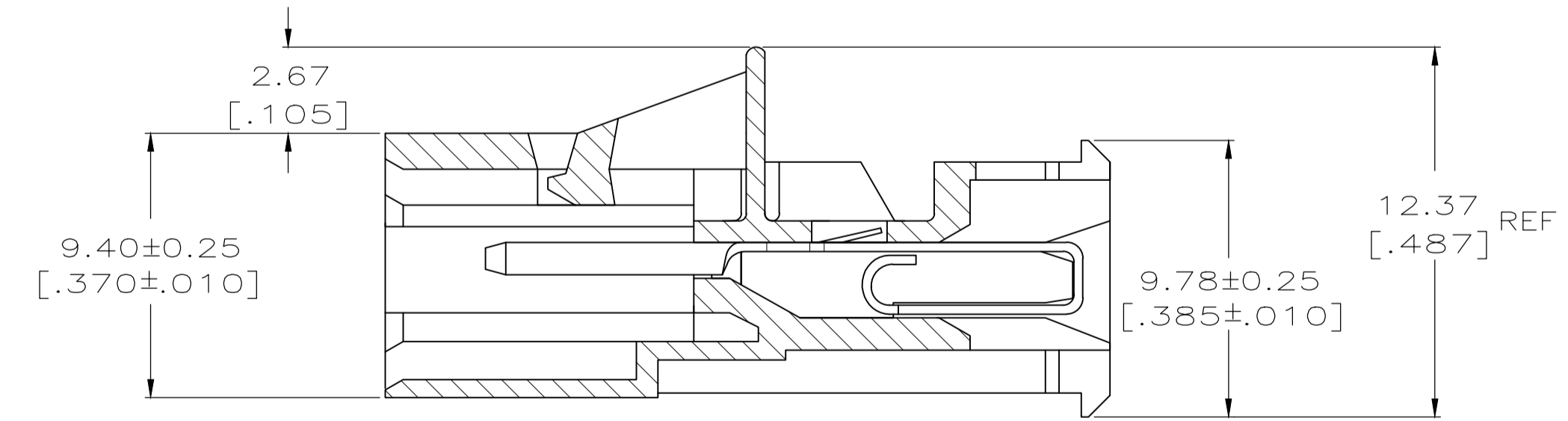
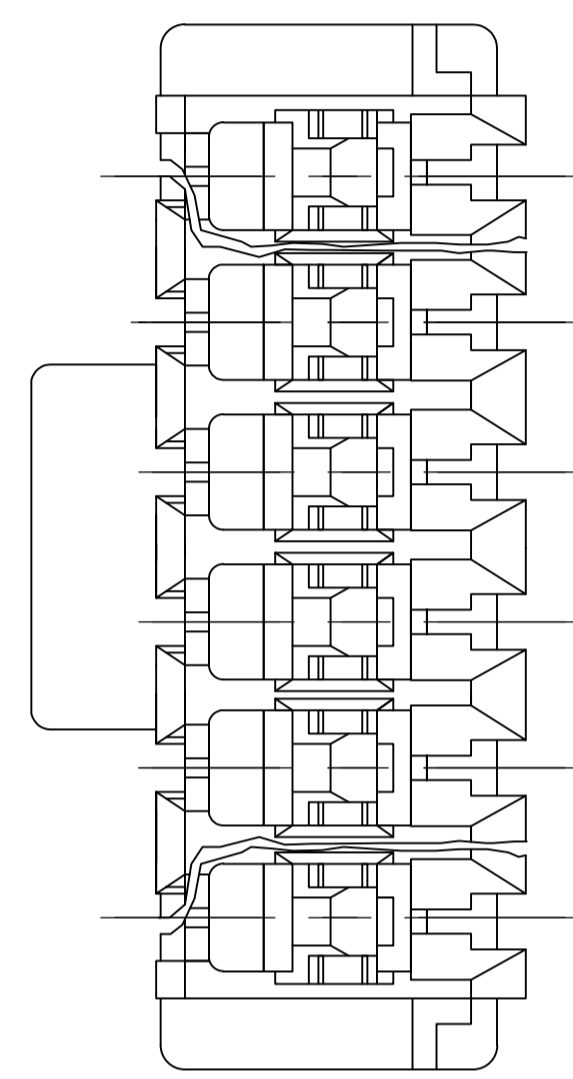
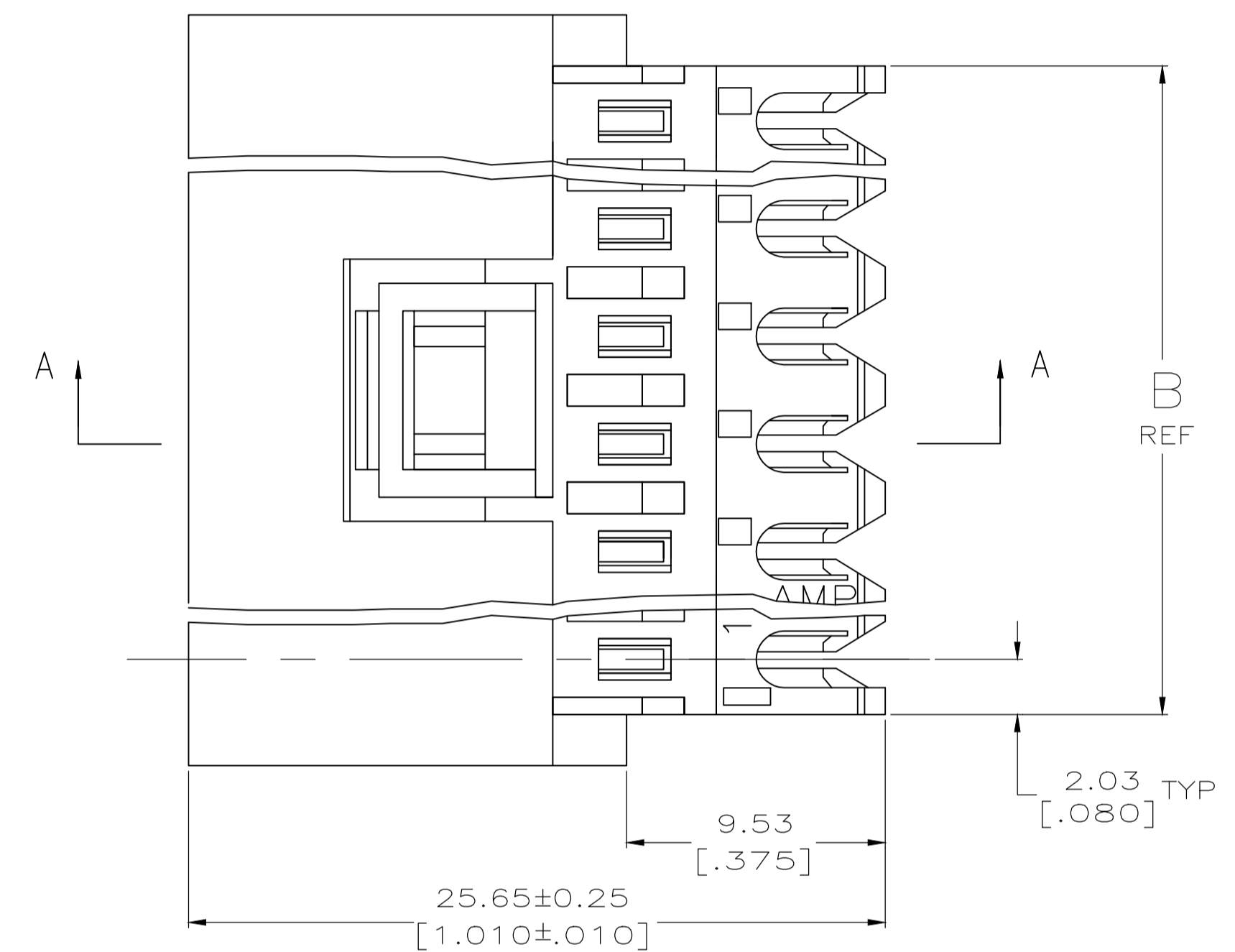
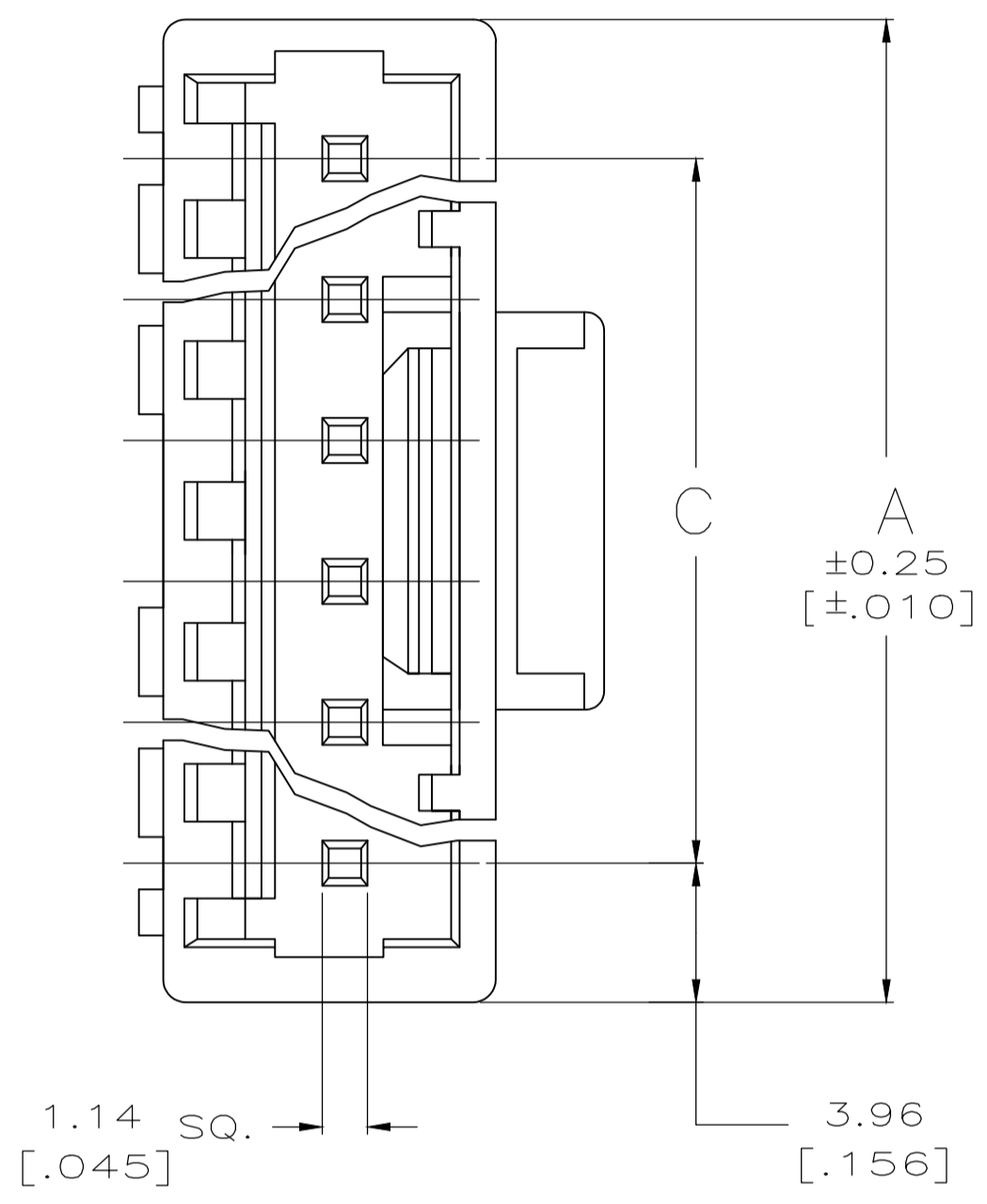


REVISIONS					
P	LTR	DESCRIPTION	DATE	DWN	APVD
E		REVISED PER ECR-20-000808	22MAY2020	PC	SW

- MATERIAL: CONNECTOR- NYLON UL94V-2 (WHITE).  
CONTACTS- 0.30 [.012] THK COPPER ALLOY  
(BRIGHT TIN-LEAD 0.00203 [.000080] MIN THK).  
(MATTE TIN 0.00203 [.000080] MIN THK).
- CONTACTS ACCEPT #24 AWG SOLID, FUSED STRANDED OR STRANDED (7 STRANDS) WIRE WITH 2.41 [.095] MAX INSULATION DIA.
- BOW, IN ANY DIRECTION, NOT TO EXCEED 0.15 [.006] PER IN.
- HOUSING FEATURES: FEED-THRU.
- DIMENSIONS IN BRACKETS ARE IN INCHES.
- ⚠️ OBSOLETE PARTS: OBSOLETE CIS STREAMLINING PER D.RENAUD/D.SINISI



SECTION A-A

⚠️ OBSOLETE	TIN	91.14 [3.588]	95.20 [3.748]	99.06 [3.900]	24	-5-641525-4
⚠️ OBSOLETE	TIN	55.47 [2.184]	59.54 [2.344]	63.40 [2.496]	15	-4-641525-5
⚠️ OBSOLETE	TIN	43.59 [1.716]	47.65 [1.876]	51.51 [2.028]	12	-4-641525-2
⚠️ OBSOLETE	TIN	31.70 [1.248]	35.76 [1.408]	39.62 [1.560]	9	-3-641525-9
⚠️ OBSOLETE	TIN	19.81 [.780]	23.88 [.940]	27.74 [1.092]	6	-3-641525-6
⚠️ OBSOLETE	TIN	11.89 [.468]	15.95 [.628]	19.81 [.780]	4	-3-641525-4
⚠️ OBSOLETE	TIN	7.92 [.312]	11.99 [.472]	15.85 [.624]	3	-3-641525-3
⚠️ OBSOLETE	TIN	3.96 [.156]	8.03 [.316]	11.89 [.468]	2	-3-641525-2
⚠️ OBSOLETE	TIN-LEAD	91.14 [3.588]	95.20 [3.748]	99.06 [3.900]	24	-2-641525-4
⚠️ OBSOLETE	TIN-LEAD	55.47 [2.184]	59.54 [2.344]	63.40 [2.496]	15	-1-641525-5
⚠️ OBSOLETE	TIN-LEAD	43.59 [1.716]	47.65 [1.876]	51.51 [2.028]	12	-1-641525-2
⚠️ OBSOLETE	TIN-LEAD	31.70 [1.248]	35.76 [1.408]	39.62 [1.560]	9	-641525-9
⚠️ OBSOLETE	TIN-LEAD	19.81 [.780]	23.88 [.940]	27.74 [1.092]	6	-641525-6
⚠️ OBSOLETE	TIN-LEAD	11.89 [.468]	15.95 [.628]	19.81 [.780]	4	-641525-4
⚠️ SUPERSEDED	TIN-LEAD	7.92 [.312]	11.99 [.472]	15.85 [.624]	3	-641525-3
⚠️ OBSOLETE	TIN-LEAD	3.96 [.156]	8.03 [.316]	11.89 [.468]	2	-641525-2

THIS DRAWING IS A CONTROLLED DOCUMENT.

DIMENSIONS: mm [INCHES]	TOLERANCES UNLESS OTHERWISE SPECIFIED: 0 PLC ± - 1 PLC ± - 2 PLC ± 0.13 [.005] 3 PLC ± - 4 PLC ± - ANGLES ± -	FINISH SEE NOTE 1	FINISH SEE NOTE 1	WEIGHT 0	SCALE A1 00779 C=641525	NO. OF CIRCUITS 2	PART NUMBER MTA-156 POSTED CONNECTOR ASSEMBLY, 24 AWG
----------------------------	---	----------------------	----------------------	-------------	----------------------------	----------------------	--

TE Connectivity

SIZE: 00779 C=641525

SCALE: 5:1 SHEET: 1 OF 1 REV: E