

QUARTER TURN - EASY INSTALLATION



*Example with cam.
Cam sold separately.

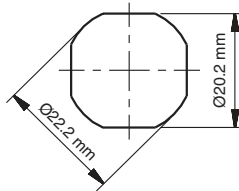
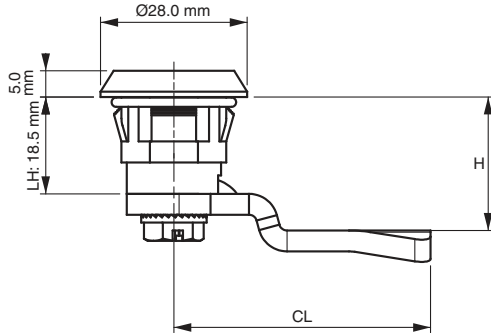
Specifications

- Material:
Housing: PA6 GFR 30
Driver: Zinc Alloy (Zamak) DIN-EN 1774-ZNAL4CU1 or PA6 GFR 30

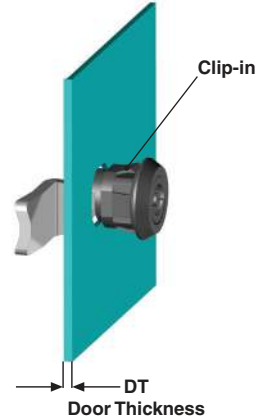
Cam: Steel or Plastic

Features

- Easy assembly by clips
- Mounting nut not required.
- Specially designed internal spring provides tactile resistance
- Applications: Electric panels, machinery covers



Cut Out



Driver/Head Style



Slot (2x4)

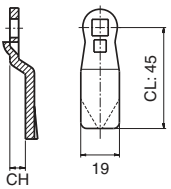
Door Thickness	Version
for 0.8 -1.2 mm panels	1
for 1.2 -1.5 mm panels	2

Item Number	Version	Driver	Cam
660120204200	1	Slot (2x4)	Select Cam Below
660220204200	2	Slot (2x4)	Select Cam Below

Steel Cam

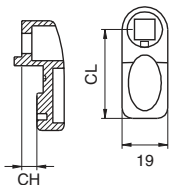
Item Number	CH (mm)	CL (mm)	H (mm)
30403033	0	45	18.5
30403439	1	45	19.5
30403159	2	45	20.5
30403063	3	45	21.5
30403149	4	45	22.5
30403160	6	45	24.5
30403161	8	45	26.5
30403162	10	45	28.5
30403045	12	45	30.5
30403163	14	45	32.5
30403151	16	45	34.5
30403165	18	45	36.5

Item Number	CH (mm)	CL (mm)	H (mm)
30403166	20	45	38.5
30403167	22	45	40.5
30403168	24	45	42.5
30403169	-2	45	16.5
30403170	-4	45	14.5
30403171	-6	45	12.5
30403172	-8	45	10.5
30403173	-10	45	8.5
30403174	-12	45	6.5
30403175	-14	45	4.5



Material: Steel
Finish: Zinc plated
Thickness: 4 mm

Nylon Cam



Item Number	CH (mm)	CL (mm)	H (mm)
30402004	0	35	18.5
30402011	0	25	18.5
30402005	6	35	24.5
30402008	4	45	22.5
30402013	-4	45	14.5