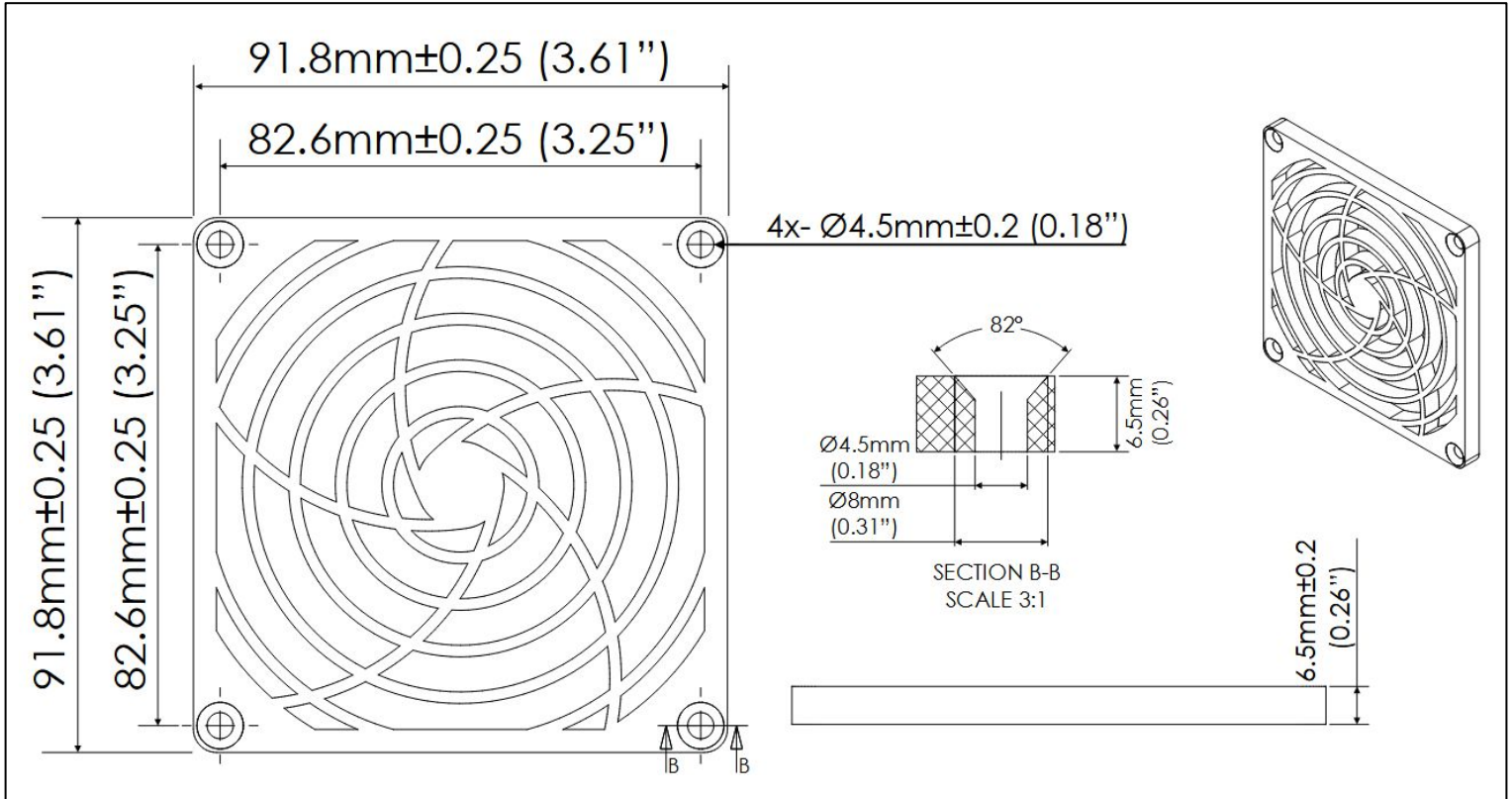




G92P Plastic Fan Guard

Plastic Fan Guard
Fits 92mm Fans



Description	Plastic Fan Guards make it easy to protect personnel from injury while offering minimal airflow obstruction and a stylish design.
Guard Material	Plastic - Reinforced ABS Polyac PA-766, UL Approved, Rating UL94V-0
Mounting	$\text{Ø}4.5\text{mm}$ mounting holes, 65° Countersink.

Part Number	Description
G92P	92mm Fan Guard
G92P/PK	10-Pack G92P Fan Guards, Boxed