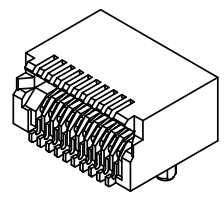


PACKAGING KIT

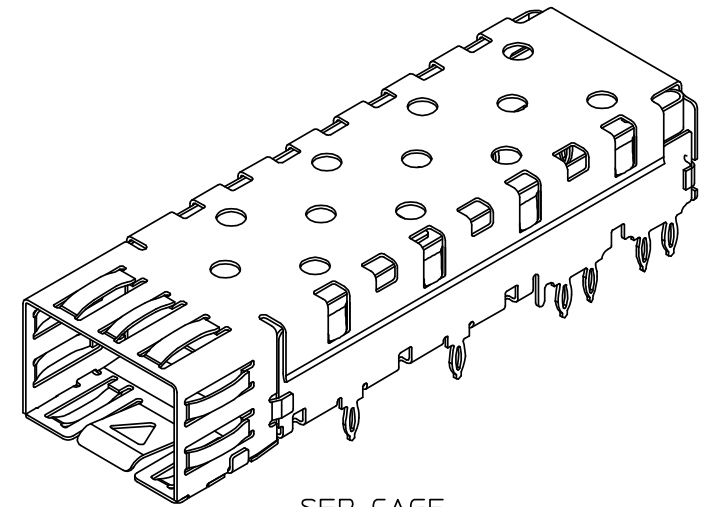
SFP CONNECTOR

SFP CAGE ASSEMBLY

MATERIAL NO.	QUANTITY OF COMPLIANT TAILS ON CAGE	QUANTITY OF EMI TAILS ON CAGE	OTHER ATTRIBUTES	STANDARD PACK QUANTITY (SPQ)	PART NO.	SALES DRAWING	PARTS PER CARTON	CARTONS PER KIT	KITTED PART NO.	PARTS PER CARTON	CARTONS PER KIT	STANDARD PART NO.	SALES DRAWING
75082-1000	15	3	N/A	960	74441-0001	SD-74441-001	960	1	73927-9999	96	10	73927-0009	SD-73927-009
75082-2000	15	3	KAPTON BARRIER	960	74441-0001	SD-74441-001	960	1	73927-9998	96	10	73927-0014	SD-73927-014
75082-3000	8	N/A	N/A	960	74441-0001	SD-74441-001	960	1	73927-9997	96	10	73927-0001	SD-73927-001
75082-4000	1.25 mm LONG SOLDER POST VERSION		N/A	960	74441-0001	SD-74441-001	960	1	73927-9996	96	10	73927-0002	SD-73927-002
75082-5000	PCI SOLDER POST VERSION		N/A	960	74441-0001	SD-74441-001	960	1	73927-9995	96	10	73927-0004	SD-73927-004
75082-6000	11	3	N/A	960	74441-0001	SD-74441-001	960	1	73927-9994	96	10	73927-0008	SD-73927-008
75082-7000	3.36 mm LONG SOLDER POST VERSION		N/A	960	74441-0001	SD-74441-001	960	1	73927-9993	96	10	73927-0010	SD-73927-010



SFP CONNECTOR 74441-0001



SFP CAGE  
SHOWN: 73927-0009

- NOTES:
- MATERIAL:
    - HOUSING - HIGH TEMPERATURE LIQUID CRYSTAL POLYMER (LCP) GLASS FILLED, UL 94V-0. COLOR: BLACK
    - TERMINALS - COPPER ALLOY
    - CAGE - COPPER ALLOY
  - PLATING TERMINALS
    - CONTACT AREA - 0.38 MICROMETERS MINIMUM GOLD OVER NICKEL
    - SOLDER FOOT AREA - 2.54 MICROMETERS MINIMUM TIN OVER NICKEL
    - CAGE - TIN PLATED
  - PACKAGING SPECIFICATION: PS-75082-400.
  - FOR ADDITIONAL INFORMATION ON THE CONNECTOR, CAGE AND PC BOARD LAYOUT, PLEASE SEE SALES DRAWINGS FOR EACH AS NOTED IN THE TABLE.

INITIAL RELEASE EC NO: UCP2008-1133 DRWN: MIBARRA 2007/12/07 CHKD: BBARKER 2007/12/07 APPR: SMILLER 2007/12/07 A	QUALITY SYMBOLS ▽=0 ▽=0	GENERAL TOLERANCES (UNLESS SPECIFIED) <table border="1"> <thead> <tr> <th></th> <th>mm</th> <th>INCH</th> </tr> </thead> <tbody> <tr> <td>4 PLACES</td> <td>± ---</td> <td>± ---</td> </tr> <tr> <td>3 PLACES</td> <td>± ---</td> <td>± ---</td> </tr> <tr> <td>2 PLACES</td> <td>± 0.13</td> <td>± ---</td> </tr> <tr> <td>1 PLACE</td> <td>± ---</td> <td>± ---</td> </tr> </tbody> </table>		mm	INCH	4 PLACES	± ---	± ---	3 PLACES	± ---	± ---	2 PLACES	± 0.13	± ---	1 PLACE	± ---	± ---	DIMENSION STYLE MM ONLY	SCALE 4:1	DESIGN UNITS METRIC	THIRD ANGLE PROJECTION
		mm	INCH																		
	4 PLACES	± ---	± ---																		
	3 PLACES	± ---	± ---																		
2 PLACES	± 0.13	± ---																			
1 PLACE	± ---	± ---																			
DRAWN BY MIBARRA	DATE 2007/11/16	TITLE SFP CONNECTOR AND CAGE ASSEMBLY KIT																			
CHECKED BY BBARKER	DATE 2007/11/16	MOLEX INCORPORATED																			
APPROVED BY SMILLER	DATE 2007/11/16	MATERIAL NO. SEE TABLE	DOCUMENT NO. SD-75082-400	SHEET NO. 1 OF 1																	

DRAFT WHERE APPLICABLE  
MUST REMAIN  
WITHIN DIMENSIONS

THIS DRAWING CONTAINS INFORMATION THAT IS PROPRIETARY TO MOLEX INCORPORATED AND SHOULD NOT BE USED WITHOUT WRITTEN PERMISSION