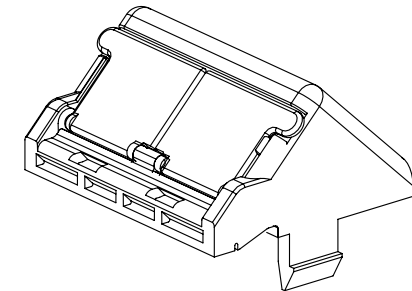
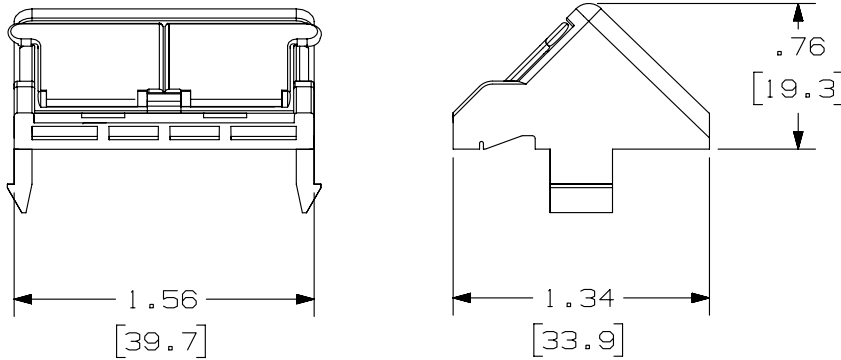


THIS COPY IS PROVIDED ON A RESTRICTED BASIS AND IS NOT TO BE USED IN ANY WAY DETRIMENTAL TO THE INTERESTS OF PANDUIT CORP.

PANDUIT P/N	WEIGHT
CHS2S**-X	1.7 LB/100 PCS (750g/100 PCS)

NOTES:

- SEE CURRENT CATALOG FOR ADDITIONAL PART NUMBER SUFFIXES TO INDICATE COLOR AND OR PACKAGE QUANTITY.
- THIS PART IS TO BE USED WITH THE MINI-COM BEZELS AND MINI-COM MODULES.
- DIMENSIONS IN [] ARE IN METRIC.



PART NUMBER		CHS2S**-X	
TITLE			
MINI-COM 2 POSITION SLOPED SHUTTERED 1/2 INSERT			
CUSTOMER DRAWING			
ITEM REVISION NAME		D35544BD/02	
DATASET FILE NAME		D35544BD_DC/02B	
UNLESS OTHERWISE SPECIFIED, DIMENSIONAL TOLERANCES ARE: IN [mm]		MATERIAL:	
.x ± .xxx ± .010 [.3]		ABS	
.xx ± .03 [.8]		DRAWING NUMBER:	
ANGLES ±		35544-04	
THIRD ANGLE PROJECTION		SHT 1 OF 1	
DRAWN BY	DATE	CHK	SCALE
DW	3-29-96	CEF	NONE
REV	DATE	BY	CHK
3	4/23/14	JSP	REFR
MMR	REVISED AND REDRAWN, PREVIOUS REVISIONS HAVE BEEN OMITTED.		35544-04
APR	DESCRIPTION	ECN	SIZE
			A

D10100DA/14