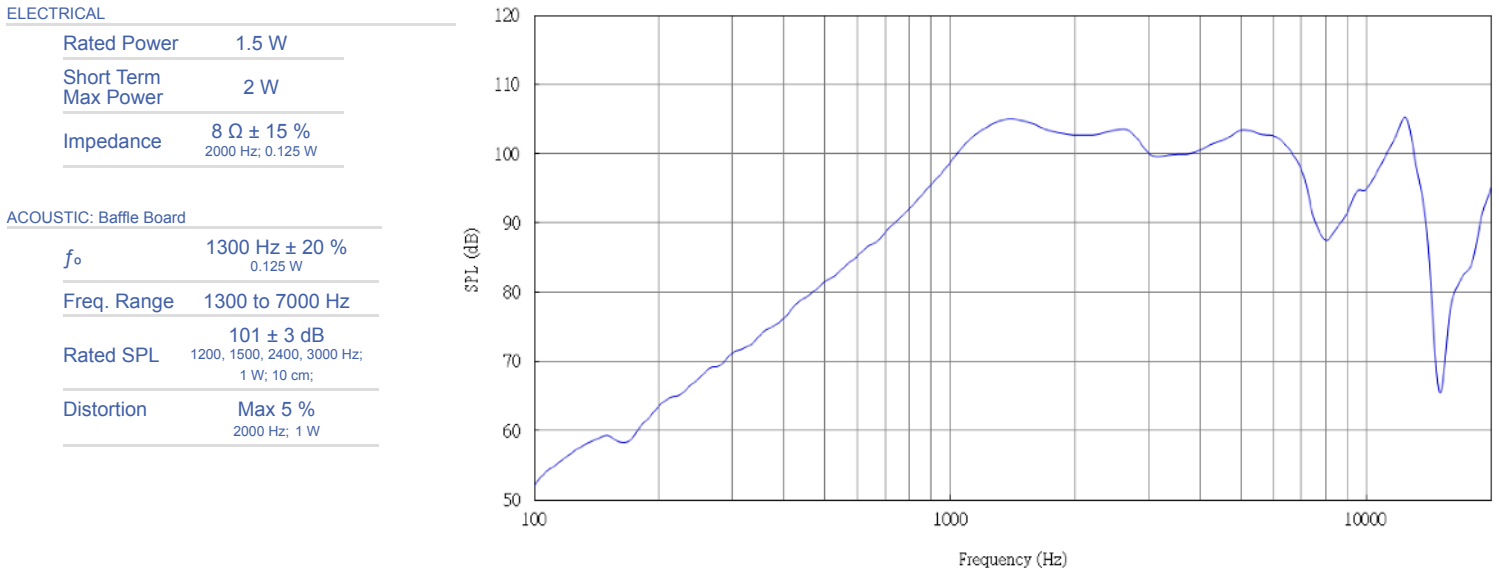


## CS32-01W130-10-1X

Rev. 1-2020  
RoHS3 & REACH & IP67  
Round Speakers



### Operating Characteristics



### Physical Characteristics

MATERIALS	
Housing	Sealed Back SPCC
Cone	PEI
Magnet	NdFeB
Wire	UL1571, 28AWG, 0.9mm Diameter, Black and Red
Connector	Molex 51021-0200

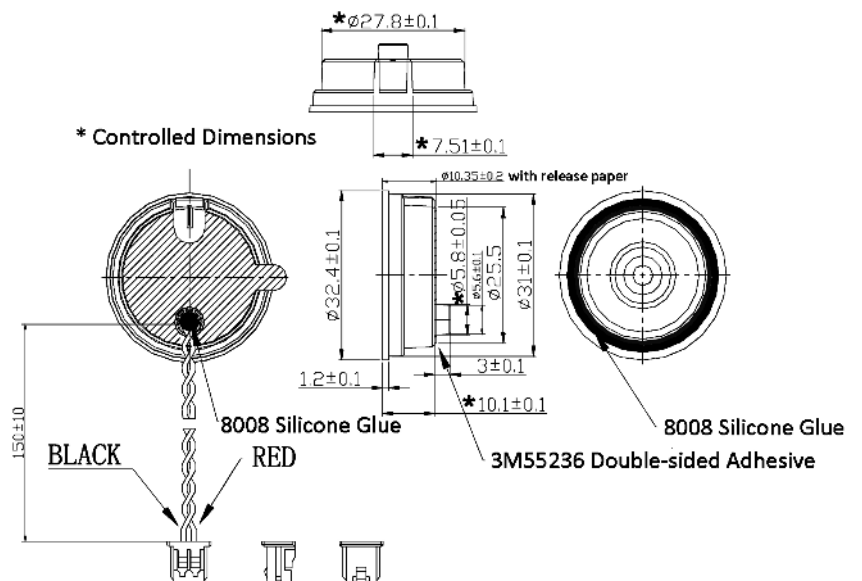
  

TEMPERATURE RANGES	
Operating	-40 to +85 °C
Storage	-40 to +85 °C

Weight	14.5 g
--------	--------

Unless otherwise specified, tolerance: ±0.5(unit:mm)



Revision	Description	By	Date
0-2020	Initial Specification Sheet	JL	2020-03-18
1-2020	Updated frame material from SPCC to Sealed Back SPCC	JL	2020-04-07

Warranty: For a period of one (1) year from date of shipping under normal operations conditions This warranty does not apply to products damaged through misuse, abuse, improper installation, alteration, rework, or attempt to repair.