



Part No: CLF0251MP

Date: 7/2/2007

Unit: mm

Description: speaker

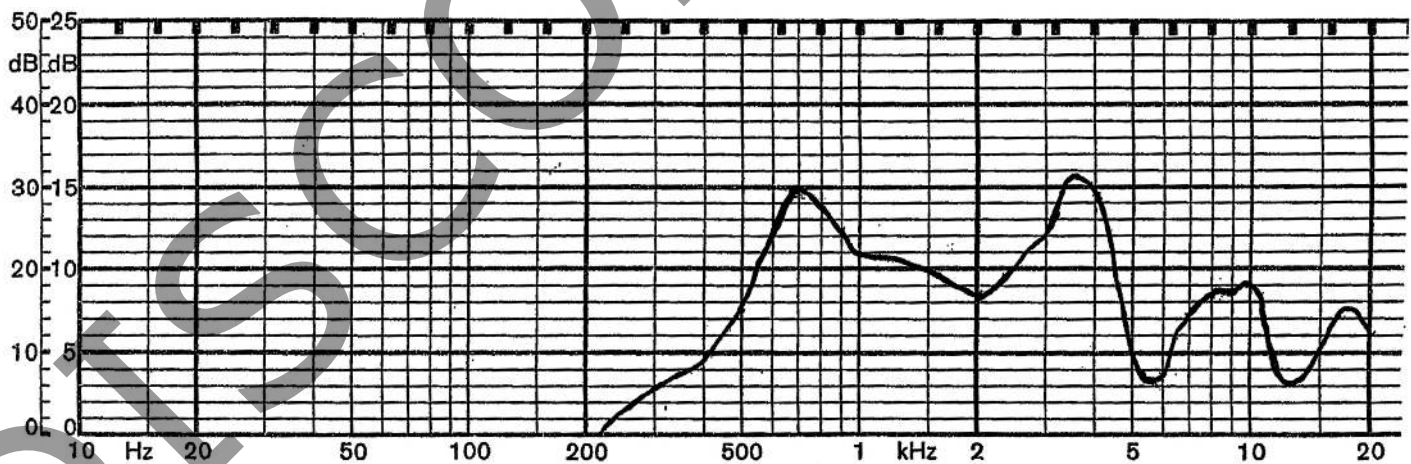
Page No: 1 of 2

Specifications

Nominal Size	25mm		
Impedance	8 Ohm \pm 15%	at	1.2 KHz 1 V
Resonant frequency	650 Hz \pm 130 Hz	at	1 V
Sound pressure level	70dB/w \pm 3 dB	0.1 w 50 cm ave. at	1K, 1.2K, 1.5K, 2K Hz
Response	Fo Hz ~ 5 KHz max 10 dB		
Input power	Nominal 0.1 W	Handling capacity	0.2 W
Operation	must be normal at program source 0.1 W		
Buzz, rattle, etc.	must be normal at sine wave 0.9 V		
Magnet	Size: 18 x 7 x 2.5 mm		
Load test	White noise 0.1 W	for	24 hours
Heat test	70 \pm 2° C	20-50% R.H.	24 hours
Humidity test	40 \pm 2° C	90-95% R.H.	24 hours

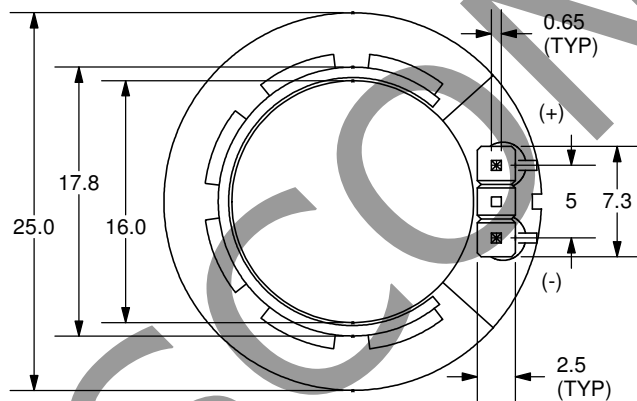
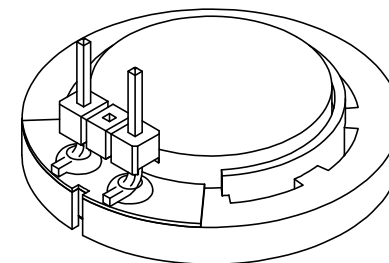
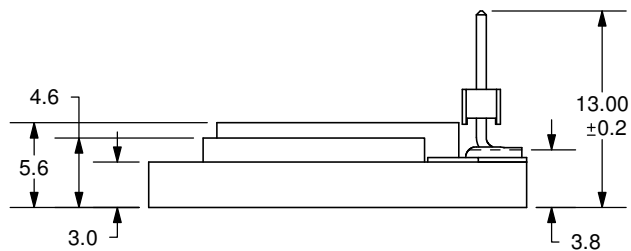
Frequency Response Curve

Potentiometer range	50 dB
Rectifier	RMS
Lower limit frequency	20 Hz
Wr. speed	100 mm/sec



Zero level 50 dB

REV.	DESCRIPTION	DATE
A	NEW DRAWING	7/3/2007



TOLERANCE:
±0.5mm UNLESS OTHERWISE
SPECIFIED



20050 SW 112th Ave.
Tualatin, OR 97062
Phone: 503-612-2300
800-275-4899
Fax: 503-612-2383
Website: www.cui.com

TITLE: LOW PROFILE SPEAKER		REV: A
PART NO. CLF0251MP	UNITS: MM [INCHES]	
DRAWN BY: ZRJ	APPROVED BY:	SCALE: 2:1

PC FILE NAME:
CLF0251MP

COPYRIGHT 2007 BY CUI INC.