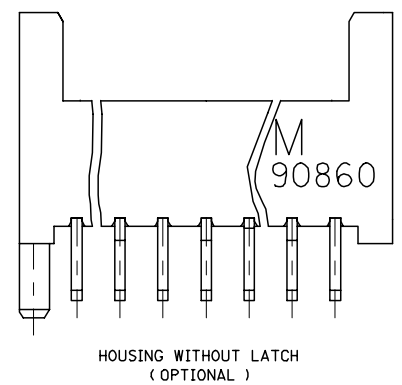
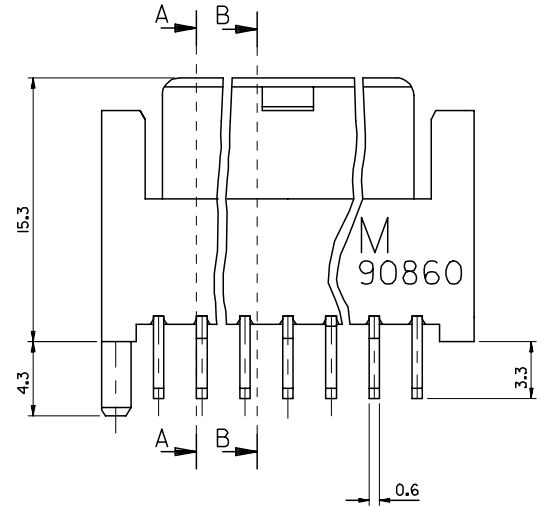
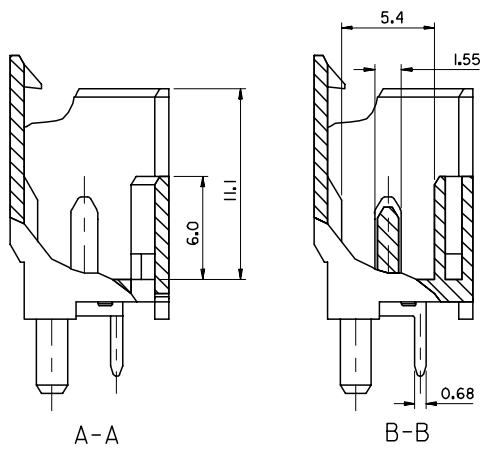
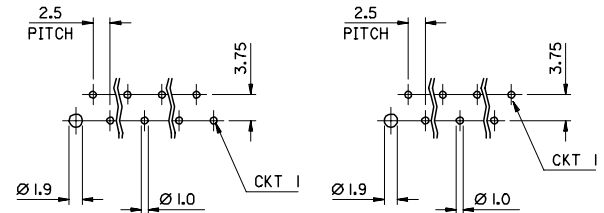
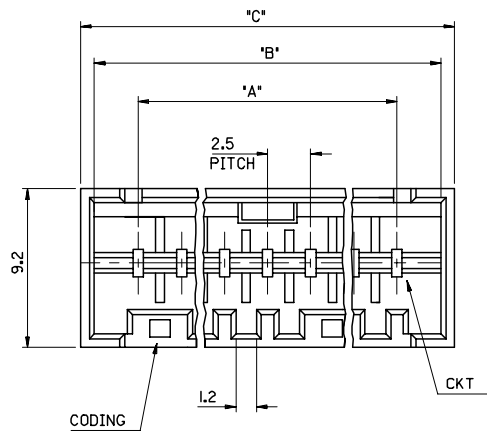


Ckt#	A	B	C
3	5.0	10.1	11.7
4	7.5	12.6	14.2
5	10.0	15.1	16.7
6	12.5	17.6	19.2
7	15.0	20.1	21.7
8	17.5	22.6	24.2
9	20.0	25.1	26.7
10	22.5	27.6	29.2
11	25.0	30.1	31.7
12	27.5	32.6	34.2
13	30.0	35.1	36.7
14	32.5	37.6	39.2
15	35.0	40.1	41.7
16	37.5	42.6	44.2
17	40.0	45.1	46.7
18	42.5	47.6	49.2
19	45.0	50.1	51.7
20	47.5	52.6	54.2



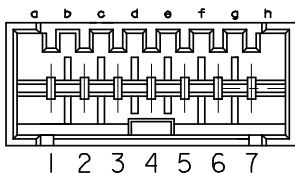
- NOTES :
- MATERIAL : HOUSING- POLYESTER (PBT), UL94 V-0
COLOR: SEE PART NO. CHARTS FOR COLOR
TERMINAL- BRASS
 - PLATING: TERMINAL - 5um TIN, OVER 2.5um NICKLE
 - PARTS PACKED AS PER ES-99039-0011
 - PRODUCT SPECIFICATION PS-99020-0040
 - RECOMMENDED PCB THICKNESS: 1.54mm

Note 5 Added EC NO: E2008-0068 DRAWN: GRADY 2007/08/24 CHKD: 2007/08/24 APPR: EGMADHONY 2007/08/24 REV:	QUALITY SYMBOLS	GENERAL TOLERANCES (UNLESS SPECIFIED)	DIMENSION STYLE	SCALE	DESIGN UNITS	THIRD ANGLE PROJECTION															
	▴ = ▽ =	<table border="1"> <thead> <tr> <th></th> <th>mm</th> <th>INCH</th> </tr> </thead> <tbody> <tr><td>4 PLACES</td><td>± .---</td><td>± .---</td></tr> <tr><td>3 PLACES</td><td>± .---</td><td>± .---</td></tr> <tr><td>2 PLACES</td><td>± 0.05</td><td>± .---</td></tr> <tr><td>1 PLACE</td><td>± 0.10</td><td>± .---</td></tr> </tbody> </table>		mm	INCH	4 PLACES	± .---	± .---	3 PLACES	± .---	± .---	2 PLACES	± 0.05	± .---	1 PLACE	± 0.10	± .---	IN/MM	5:1	INCH	
		mm	INCH																		
	4 PLACES	± .---	± .---																		
3 PLACES	± .---	± .---																			
2 PLACES	± 0.05	± .---																			
1 PLACE	± 0.10	± .---																			
DRAFT WHERE APPLICABLE MUST REMAIN WITHIN DIMENSIONS	<table border="1"> <thead> <tr> <th>SIZE</th> <th>THIS DRAWING CONTAINS INFORMATION THAT IS PROPRIETARY TO MOLEX INCORPORATED AND SHOULD NOT BE USED WITHOUT WRITTEN PERMISSION</th> </tr> </thead> <tbody> <tr> <td>A2</td> <td></td> </tr> </tbody> </table>	SIZE	THIS DRAWING CONTAINS INFORMATION THAT IS PROPRIETARY TO MOLEX INCORPORATED AND SHOULD NOT BE USED WITHOUT WRITTEN PERMISSION	A2		DRAWN BY: EF DATE: 97/04/07 CHECKED BY: DATE: APPROVED BY: DATE:	MATERIAL NO.: SEE CHART DOCUMENT NO.: SDA-90860	TITLE: RAST 2.5 VERTICAL MALE HEADER 2.5 PITCH MOLEX INCORPORATED													
SIZE	THIS DRAWING CONTAINS INFORMATION THAT IS PROPRIETARY TO MOLEX INCORPORATED AND SHOULD NOT BE USED WITHOUT WRITTEN PERMISSION																				
A2																					
						SHEET NO. 1 OF															

5	B
4	B
3	C
2	A
1	D

MOLEX PART NO	CIRCUIT SIZE	COLOUR	BLOCKED POSITION KEYS	CONFIGURATION	REF	WITH LATCH	CONTACT PITCH
90860-0002	2	NATURAL	b d		K34	YES	5.0
90860-0003	2	NATURAL	a c		K35	YES	5.0
90860-0004	2	NATURAL	a d		K36	YES	5.0

MOLEX PART NO	CIRCUIT SIZE	COLOUR	BLOCKED POSITION KEYS	CONFIGURATION	REF	WITH LATCH	CONTACT PITCH
90860-0001	3	NATURAL	NONE		K00	YES	2.5
90860-0005	3	NATURAL	a		K30	YES	2.5
90860-0006 90860-0007	3	NATURAL RED	b		K31	YES	2.5
90860-0008 90860-0009	3	NATURAL BLUE	c		K32	YES	2.5
90860-0010	3	GREEN	d		K33	YES	2.5
90860-0023	3	NATURAL	NONE		K00	YES	5.0
90860-0011	3	NATURAL	b, d		K34	YES	2.5
90860-0016	3	NATURAL	d		K33	YES	2.5



CODING IDENTIFICATION
(7 CKT EXAMPLE SHOWN)
VIEW IN MATING DIRECTION

+ DENOTES VOIDED CIRCUIT
⊕ DENOTES LOADED CIRCUIT

MOLEX PART NO	CIRCUIT SIZE	COLOUR	BLOCKED POSITION KEYS	TERMINAL VOID POSITION	CONFIGURATION	REF	WITH LATCH	CONTACT PITCH
90860-0501	4	NATURAL	NONE	NONE		K00	YES	2.5
90860-0012	4	NATURAL	b c	NONE		K30	YES	2.5
90860-0013	4	NATURAL	a d	NONE		K32	YES	2.5
90860-0014	4	NATURAL	a	NONE		K30	YES	5.0
90860-0015	4	NATURAL	b	NONE		K31	YES	5.0
90860-0505	4	NATURAL	b c	4		K30 P90	YES	2.5

MOLEX PART NO	CIRCUIT SIZE	COLOUR	BLOCKED POSITION KEYS	CONFIGURATION	REF	WITH LATCH	CONTACT PITCH
90860-1001	5	NATURAL	NONE		K00	YES	2.5
90860-0017	5	NATURAL	a d		K30	YES	2.5
90860-0018	5	NATURAL	d f		K31	YES	2.5
90860-0019	5	NATURAL	a d f		K32	YES	2.5
90860-0020	5	NATURAL	f		K33	YES	2.5
90860-0021	5	NATURAL	a		K34	YES	2.5
90860-0022	5	NATURAL	b		K35	YES	2.5

NEW PART NUMBERS EC NO: E2008-0355 DRAWN: TOUR SH CHKD: BMAGUIRE APPR: BMAGUIRE	QUALITY SYMBOLS ▽=0 ▽=0	GENERAL TOLERANCES (UNLESS SPECIFIED) mm INCH		DIMENSION STYLE IN/MM	SCALE 1:1	DESIGN UNITS INCH	THIRD ANGLE PROJECTION
		4 PLACES ± --- ± --- 3 PLACES ± --- ± --- 2 PLACES ± 0.05 ± --- 1 PLACE ± 0.1 ± ---	DRAWN BY EF	DATE 97/04/08	TITLE RAST 2.5 VERTICAL MALE HEADER		
		ANGULAR ±1/2°	CHECKED BY DATE	APPROVED BY DATE	MATERIAL NO. SEE CHARTS		
		DRAFT WHERE APPLICABLE MUST REMAIN WITHIN DIMENSIONS	DOCUMENT NO. SDA-90860		SHEET NO. 3 OF 5		

THIS DRAWING CONTAINS INFORMATION THAT IS PROPRIETARY TO MOLEX INCORPORATED AND SHOULD NOT BE USED WITHOUT WRITTEN PERMISSION