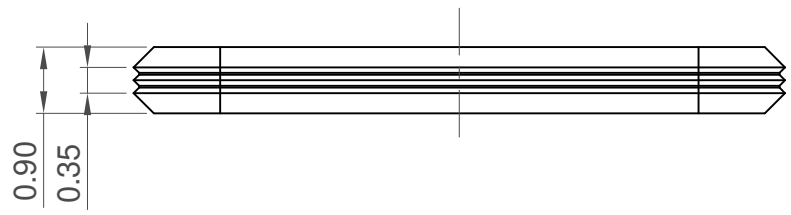







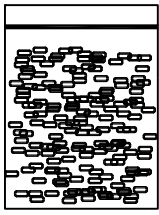
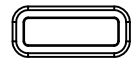
Section A-A



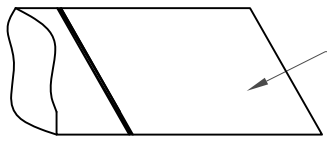
Recomended Waterproof Gasket Spec
 Material: Silicone
 Colour: Black
 Used with: USB3500, USB3505, USB3510

Part Number		Product Description		 www.gct.co
USBTJ-02		Micro USB Waterproof Gasket		
Drawing Date		21st September 2018		
By	CC	Tolerances (Except as Noted)		 
Detail	Drawing Release	Length	Angle	
Revision	A2	X. ± 0.50	± 1°	
Date	16/04/20	X.X ± 0.30		
		X.XX ± 0.20		
		X.XXX ± 0.10		
				Not to Scale Drawn By CC
				Sheet No. 1/2

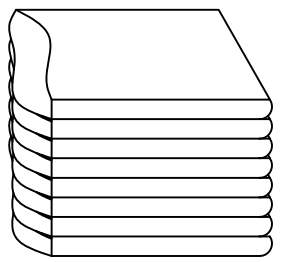
H
G
F
E
D
C
B
A



Ziplock Bag

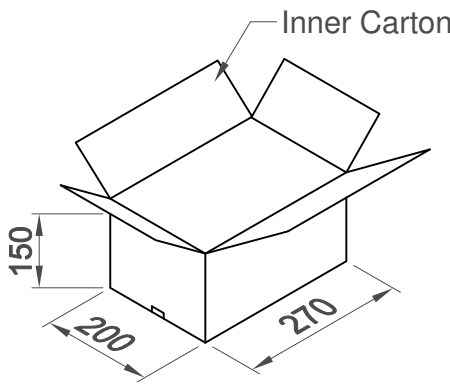


PE Bag

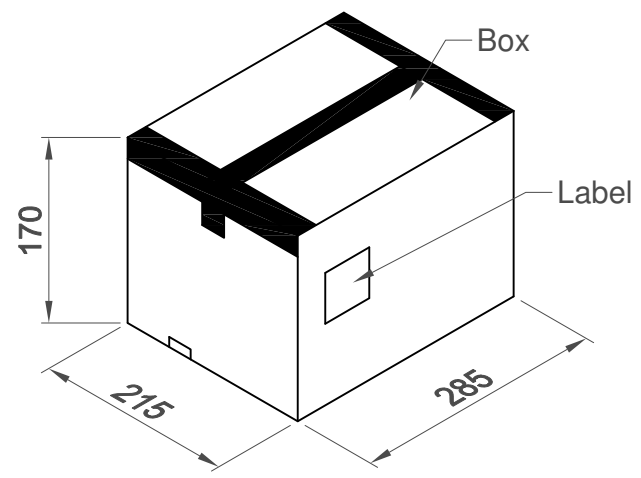


15 Bags

Pcs / Ziplock Bag	Ziplock Bags/PE Bag	Pcs / PE Bag	PE Bags / Box	Total Quantity
1000	5	5000	15	75000 pcs



Inner Carton



Box

Label

Part Number		Product Description	
USBTJ-02		Micro USB Waterproof Gasket	
Drawing Date		21st September 2018	
By	CC	Tolerances (Except as Noted)	Units:
Detail	Drawing Release	Length	Metric (mm)
Revision	A2	X. ± 0.50	 3rd Angle Projection
Date	16/04/20	X.X ± 0.30	
		X.XX ± 0.20	
		X.XXX ± 0.10	



This drawing is confidential and copyright of Global Connector Technology, Ltd (GCT). This drawing must not be copied or disclosed without written consent. E & OE



Not to Scale	Drawn By CC	Sheet No. 2/2
--------------	----------------	------------------

1 2 3 4 5 6 7 8