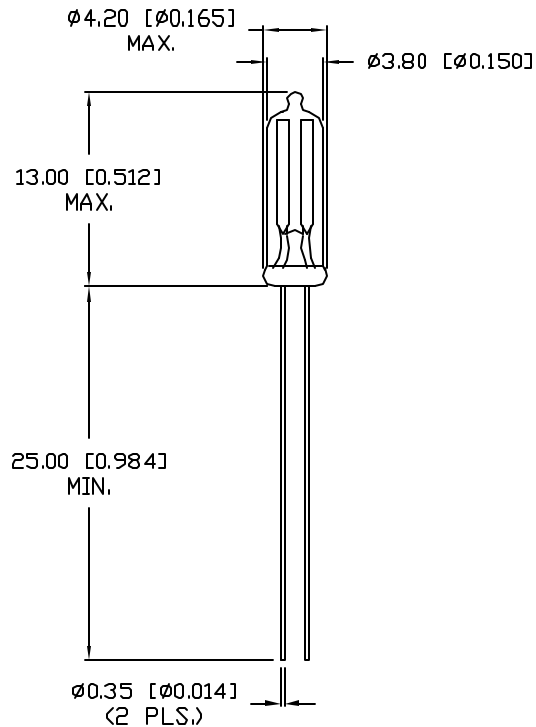


UNCONTROLLED DOCUMENT

PART NUMBER
GT-RLSA80SS

REV.
A

| REV. | E.C.N. NUMBER AND REVISION COMMENTS | DATE |
|------|-------------------------------------|----------|
| A | E.C.N. #11148. | 12.18.06 |



ELECTRICAL SPECIFICATIONS

| PARAMETER | VALUE | TEST CONDITION |
|------------------------------|--------------------|----------------|
| D.C. FIRING VOLTAGE: | 80V±15% D.C. | (dv/dt 100V/S) |
| IMPULSE FIRING VOLTAGE: | 800V D.C. MAX. | (dv/dt 5kV/μS) |
| IMPULSE CURRENT: | 1.5KA MAX. | (8*20μS) |
| IMPULSE SURGE LIFE: | 1000 TIMES MIN. | (8*20μS) |
| D.C. HOLDOVER VOLTAGE: | 50V D.C. MAX. | (150mS MAX.) |
| A.C. DISCHARGE CURRENT: | 1A | (1S X 5 TIMES) |
| A.C. FOLLOW-ON CURRENT: | 1A | |
| INSULATION RESISTANCE | 10 ¹⁰ Ω | (50VDC MIN.) |
| INTER-ELECTRODE CAPACITANCE: | 1.0 PF MAX. | |

ENVIRONMENTAL SPECIFICATIONS PER MIL-STD 202

| TEST | METHODE | CONDITION | RATING |
|----------------------|---------|-----------|------------------|
| THERMAL SHOCK | 107 | B | -65 TO +125 °C |
| HUMIDITY: | 103B | B | 95% Re. HUMIDITY |
| TEMPERATURE CYCLING: | 102A | C | -65 TO +125 °C |
| OPERATING TEMP.: | | | -40°C TO +100°C |



UNCONTROLLED DOCUMENT

*UNLESS OTHERWISE SPECIFIED TOLERANCES PER DECIMAL PRECISION ARE: X=±1 (±0.039), X.X=±0.5 (±0.020), X.XX=±0.25 (±0.010), X.XXX=±0.127 (±0.005). LEAD SIZE=±0.05 (±0.002), LEAD LENGTH=±0.75 (±0.030), MIN= ^{+0.00} _{-0.00} DECIMAL PRECISION MAX.= ^{+0.00} _{-0.00} DECIMAL PRECISION

| | |
|-----------|----------------------------|
| REV. A | PART NUMBER GT-RLSA80SS |
|-----------|----------------------------|

CONFIDENTIAL INFORMATION
THE INFORMATION CONTAINED IN THIS DOCUMENT IS THE PROPERTY OF LUMEX INC. EXCEPT AS SPECIFICALLY AUTHORIZED IN WRITING BY LUMEX INC., THE HOLDER OF THIS DOCUMENT SHALL KEEP ALL INFORMATION CONTAINED HEREIN CONFIDENTIAL AND SHALL PROTECT SAME IN WHOLE OR IN PART FROM DISCLOSURE AND DISSEMINATION TO ALL THIRD PARTIES.



290 E. HELEN ROAD
PALATINE, IL 60067-6976
PHONE: +1.847.359.2790
US WEB: www.lumex.com
TW WEB: www.lumex.com.tw

LIGHT DUTY RADIAL LEADED ARRESTOR.

RELIABILITY NOTE
OUR MANY YEARS OF EXPERIENCE DATA ACCUMULATION INDICATE THAT SOLDER HEAT IS A MAJOR CAUSE OF EARLY AND FUTURE FAILURE. PLEASE PAY ATTENTION TO YOUR SOLDERING PROCESS.

| | | | |
|-----------------|-------------|--------------|----------------|
| DRAWN BY: JC | CHECKED BY: | APPROVED BY: | DATE: 12.18.06 |
| | | | PAGE: 1 OF 1 |
| | | | SCALE: N/A |