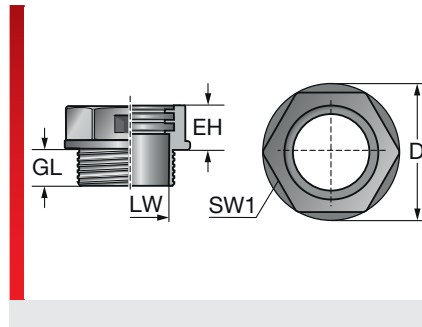
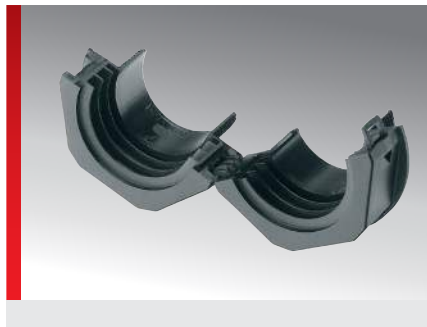


Type SVT



Hose connection, special threading

PRODUCT INFORMATION

The split conduit fitting is made of specially modified polyamide 6. The material is self-extinguishing, and halogen, phosphor and cadmium-free. The fittings are used when cable protection conduits fitted with pre-assembled cables need to be fixed or cable protection conduits need to be retrofitted. The SVT is ideal for connecting to our split EWT cable protection conduits and all other Murrflex cable protection conduits with standard corrugation.

Particular benefits of the SVT conduit fitting include:

- Subsequent installation or repairs
- Perfect for use with the GMT split lock nut
- Very good system tear-out strength
- Compact design
- Easy assembly and disassembly

Specification:

- EN 45545-2:2016 3x HL3

SPECIFICATIONS

- UL listed material Mod. polyamide PA 6
- IP 50
- 40 – 110 °C transient / short term
140 °C
- V0 self-extinguishing

Type	Order No.	Colour	Connecting thread	Suitable for Murrflex EW	LW mm	EH mm	GL mm	SW 1 / 2 mm	Pack qty.
Splittable hose/conduit fitting									
SVT M16x1.5/11	83651258	Black	M16x1,5	M16/P11	11.00	15.00	15.00	26.00	50
SVT M20x1.5/11	83651260	Black	M20x1.5	M16/P11	15.00	15.00	15.00	26.00	50
SVT M20x1.5/16	83651262	Black	M20x1.5	M20/P16	15.00	15.00	15.00	28.00	50
SVT M25x1.5/16	83651264	Black	M25x1.5	M20/P16	21.00	15.00	15.00	28.00	50
SVT M25x1.5/21	83651266	Black	M25x1.5	M25/P21	21.00	20.00	15.00	28.00	50
SVT M32x1.5/21	83651268	Black	M32x1.5	M25/P21	27.00	20.00	15.00	36.00	50
SVT M32x1.5/29	83651270	Black	M32x1.5	M32/P29	27.00	20.00	15.00	46.00	25
SVT M32x1.5/36	83651272	Black	M32x1.5	M40/P36	27.00	20.00	15.00	55.00	25
SVT M40x1.5/29	83651274	Black	M40x1.5	M32/P29	35.00	20.00	15.00	46.00	25
SVT M40x1.5/36	83651276	Black	M40x1.5	M40/P36	35.00	20.00	15.00	55.00	25
SVT M50x1.5/36	83651278	Black	M50x1.5	M40/P36	44.00	20.00	20.00	55.00	25
SVT M50x1.5/48	83651280	Black	M50x1.5	M50/P48	44.00	25.00	20.00	65.00	10
SVT M63x1.5/48	83651282	Black	M63x1.5	M50/P48	57.00	25.00	20.00	65.00	10

MATERIAL PROPERTIES

UL listed material Mod. polyamide PA 6

MECHANICAL PROPERTIES

Protection class
IP 50

Type SVT

THERMAL PROPERTIES

**Temperature / temperature range**

-40 – 110 °C transient / short term 140 °C

FIRE BEHAVIOUR

**Fire classification**

V0 self-extinguishing

Brandeigenschaften nach DIN EN 45545-2 : 2013 Rev. 2016

C.I.T. R22 / R23 HL3 = 0,43

LOI R22 / R23 HL3 = 33,8

Ds (max.) R22 / R23 HL3 = 63

APPROVALS AND OPERATING PERMITS

**Railway EU approval**

EN 45545-2 : 2016 R22 HL2 / R23 HL3

TECHNICAL INFORMATION



Halogen-free

CONFORMITY



RoHS (EC Directive 2002/95/EC)

GENERAL INFORMATION



Made in Germany

All details given in our sales material prospectuses and catalogues as well as the information available online are based on our current knowledge of the products described.

The electronic data and files made available by Murrplastik, particularly CAD files are based on our current knowledge of the product described.

A legally binding assurance of certain properties or the suitability for a certain purpose can not be determined from this information.

All information with respect to the chemical and physical properties of Murrplastik products as well as application advice given verbally, in writing or by tests, is given to the best of our knowledge.

This does not free the purchaser of carrying out their own inspections and tests in order to determine the suitability of a product for a specific purpose.

Murrplastik accepts no responsibility for the available information being up-to-date, correct or complete. Neither do we accept responsibility for the quality of this information.

Murrplastik accepts no liability for damage caused as a result of using our products.

Murrplastik reserves the right to make technical changes and improvements through constant further development of products and services.

Our General Terms and Conditions apply.

© Murrplastik Systemtechnik GmbH • proID_65660~20170712~890283~suv_svt