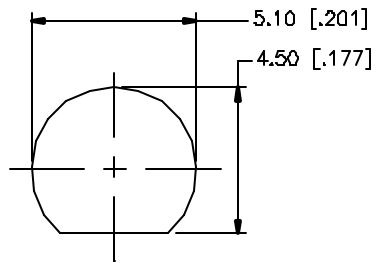
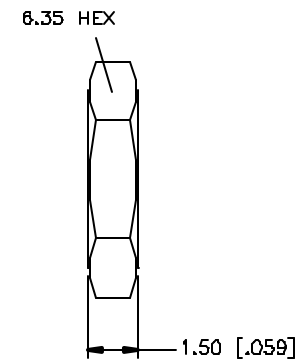
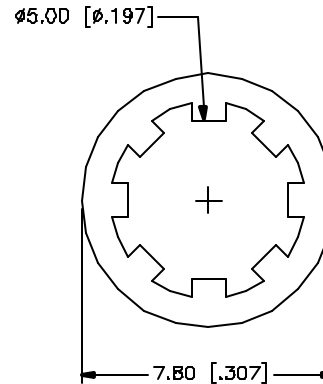
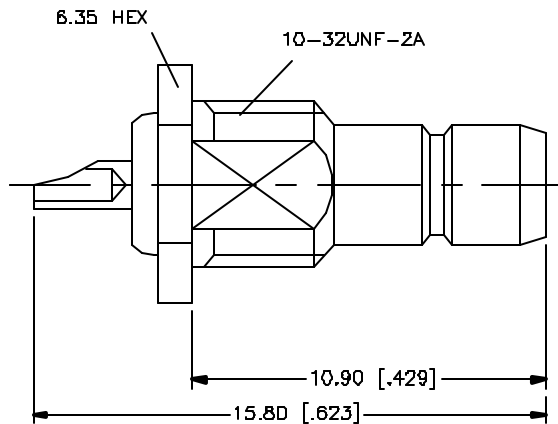


REV.	DATE	DESCRIPTION
NC	05/01/04	INITIAL RELEASE



RECOMMENDED MOUNTING HOLE



B					UNLESS OTHERWISE SPECIFIED DIMENSIONS ARE IN MILLIMETERS. DIMENSIONS IN [ ] ARE IN INCHES AND FOR CUSTOMER REFERENCE ONLY.	APPROVALS	DATE	<b>Amphenol Connex</b>				
7					UNLESS OTHERWISE SPECIFIED TOLERANCES FOR MILLIMETERS ARE: 0.5 - 8mm ± 0.20mm 8 - 30mm ± 0.40mm 30 - 120mm ± 0.50mm  UNLESS OTHERWISE SPECIFIED TOLERANCES FOR INCHES ARE: .020 - .315 = ± 0.007" .315 - 1.180 = ± 0.015" 1.180 - 4.724 = ± 0.020"	DRAWN	G.R.S.	05/01/04	PART DESCRIPTION <b>SMB BULKHEAD RECEPT. JACK</b>			
6				CHECKED								
5	HEX NUT	BRASS	NICKEL	1		ISSUED						
4	LOCK WASHER	BRASS	NICKEL	1	UNLESS OTHERWISE SPECIFIED DIMENSIONS ARE IN MILLIMETERS. DIMENSIONS IN [ ] ARE IN INCHES AND FOR CUSTOMER REFERENCE ONLY.	SHEET	1 OF 1		PART NO. <b>142152</b>			
3	CONTACT PIN	BRASS	GOLD	1					DWG. NO. 142152.DWG			
2	INSULATOR	TEFLON	NATURAL	1					REV. NC	SIZE A	SCALE NA	
1	BODY	BRASS	NICKEL	1	DO NOT SCALE DRAWING	CAD FILE	C:/142/142152.DWG					
	DESCRIPTION	MATERIAL	FINISH	QTY								