

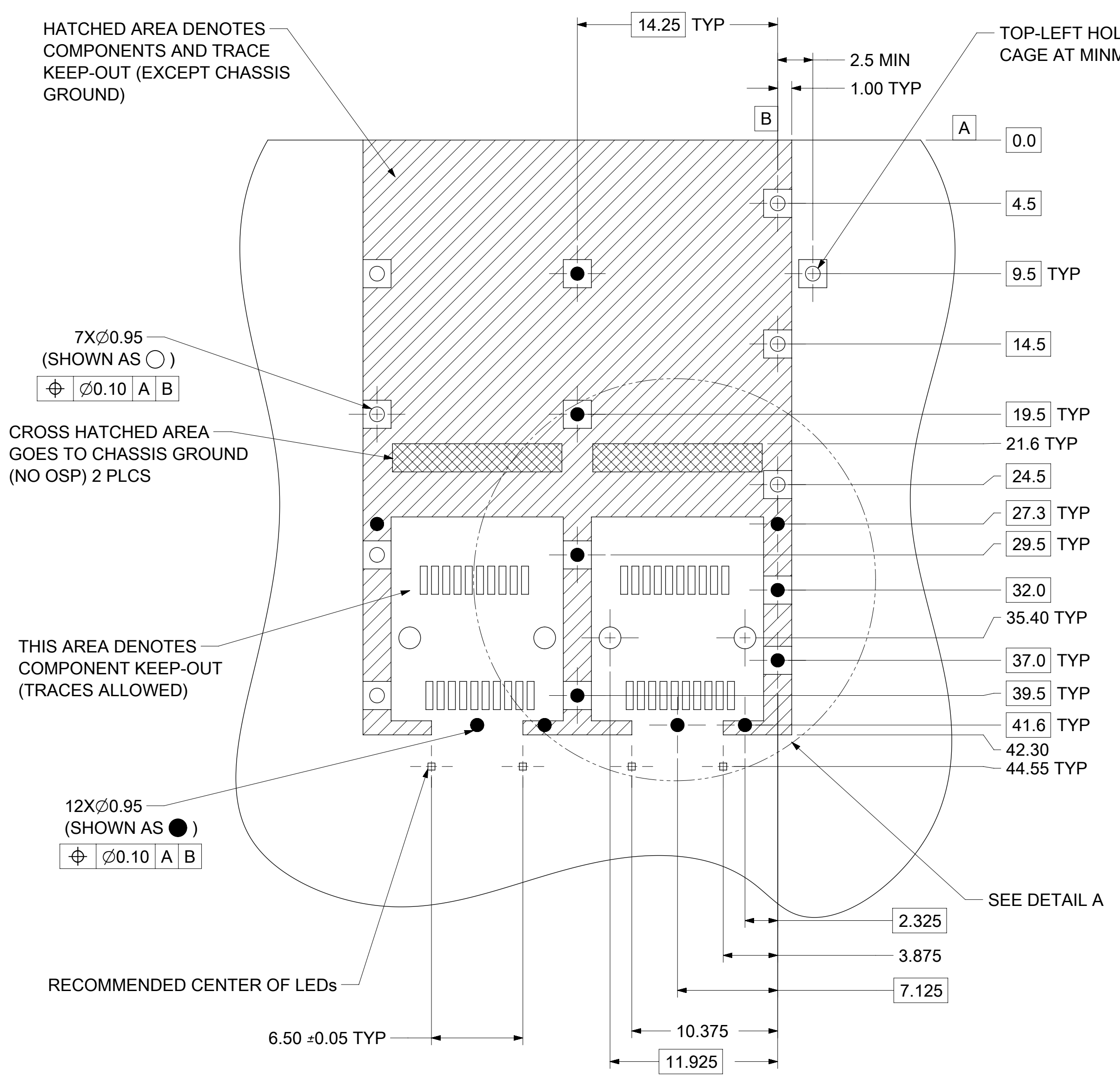
PART NO. AND WEEK/YEAR DATE CODE TO BE PRINTED ON THE SIDE OF COMPLETED CAGE ASSEMBLY APPROXIMATELY AS SHOWN.

- NOTES:
- MATERIAL:
 CAGE: 0.25mm THICK COPPER ALLOY, NICKEL PLATED.
 SPRING FINGERS: 0.10mm THICK COPPER ALLOY, NICKEL PLATED.
 HEATSINK: ALUMINUM, BLACK ANODIZED
 HEATSINK SPRING CLIP: STAINLESS STEEL.
 - PRESS FIT LEGS: 3.05MM LONG
 - PORTS ARE DESIGNED FOR SFP+ TRANSCEIVERS AND ARE COMPATIBLE WITH SFP TRANSCEIVERS. THE TOP SURFACE OF THE MODULE MUST BE FLAT (NO PRODUCT LABEL RECESS) AND THERMALLY CONDUCTIVE TO FUNCTION OPTIMALLY.
 - WELD SPOT MAY SHOW SLIGHT MATERIAL DISCOLORATION.
 - NO RoHS EXEMPTIONS.
 - 1.5mm MINIMUM PCB THICKNESS FOR SINGLE SIDED USE.
 - 3.0mm MINIMUM PCB THICKNESS FOR BELLY TO BELLY USE.
 - HEIGHT OF HEATSINK WITH MODULE INSERTED DIMENSION MAY BE LESS DUE TO MODULE AND HEATSINK VARIATIONS.

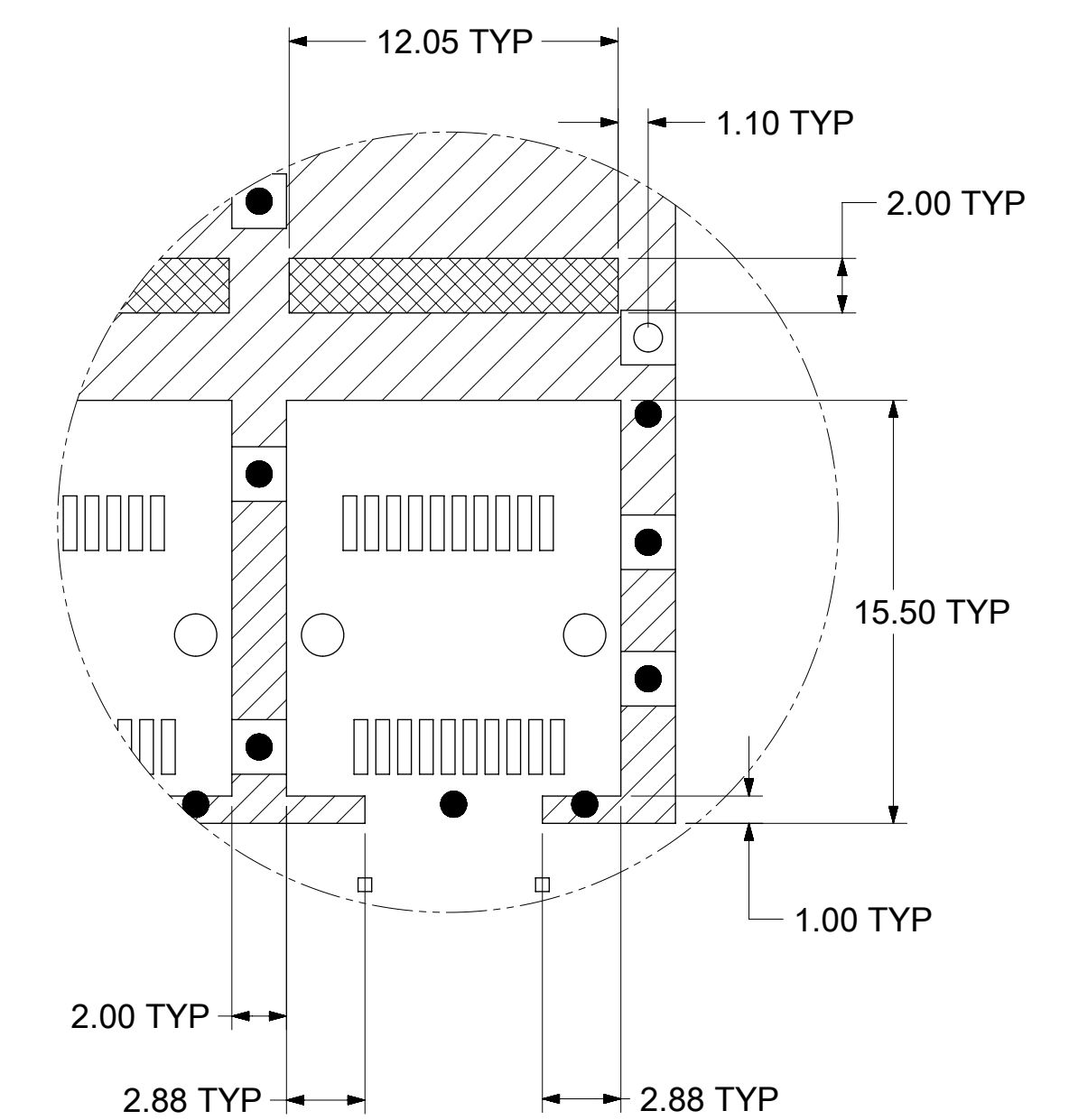
WW 01 THRU 52 OR 53 EXAMPLE: 01= FIRST WEEK OF YEAR 52 = LAST WEEK OF YEAR
 YY 15,16,17 ETC. EXAMPLE: YEAR 2015 = 15

QUALITY SYMBOLS	THIS DRAWING CONTAINS INFORMATION THAT IS PROPRIETARY TO MOLEX ELECTRONIC TECHNOLOGIES, LLC AND SHOULD NOT BE USED WITHOUT WRITTEN PERMISSION		DIMENSION UNITS	SCALE	molex		
	GENERAL TOLERANCES (UNLESS SPECIFIED)		mm	3:1			
▽ = 0	SEE REVISION TABLE	2015/12/15	DRWN BY	DATE	SFP+ 1X2 CAGE WITH HEATSINK AND LP		
▽ = 0		2016/03/31	DSUN15	2015/12/15			
▽ = 0		2016/03/31	CHKD BY	DATE	PRODUCT CUSTOMER DRAWING		
▽ = 0		2016/03/31	EWANG07				
▽ = 0		EC NO: 103896	APPR BY	DATE	SERIES	MATERIAL NUMBER	CUSTOMER
▽ = 0		DRWN: DSUN15	RCHEN08	2016/03/31	111112	111126281	
▽ = 0	CHKD: RCHEN08	APPR: RCHEN08		DOCUMENT NUMBER	DOC TYPE	DOC PART	SHEET NUMBER
▽ = 0	REV: A			111126281	PSD	ASY	1 OF 5
▽ = 0							

PCB LAYOUT FOR SINGLE SIDE MOUNTING



HOST CONNECTOR DETAIL

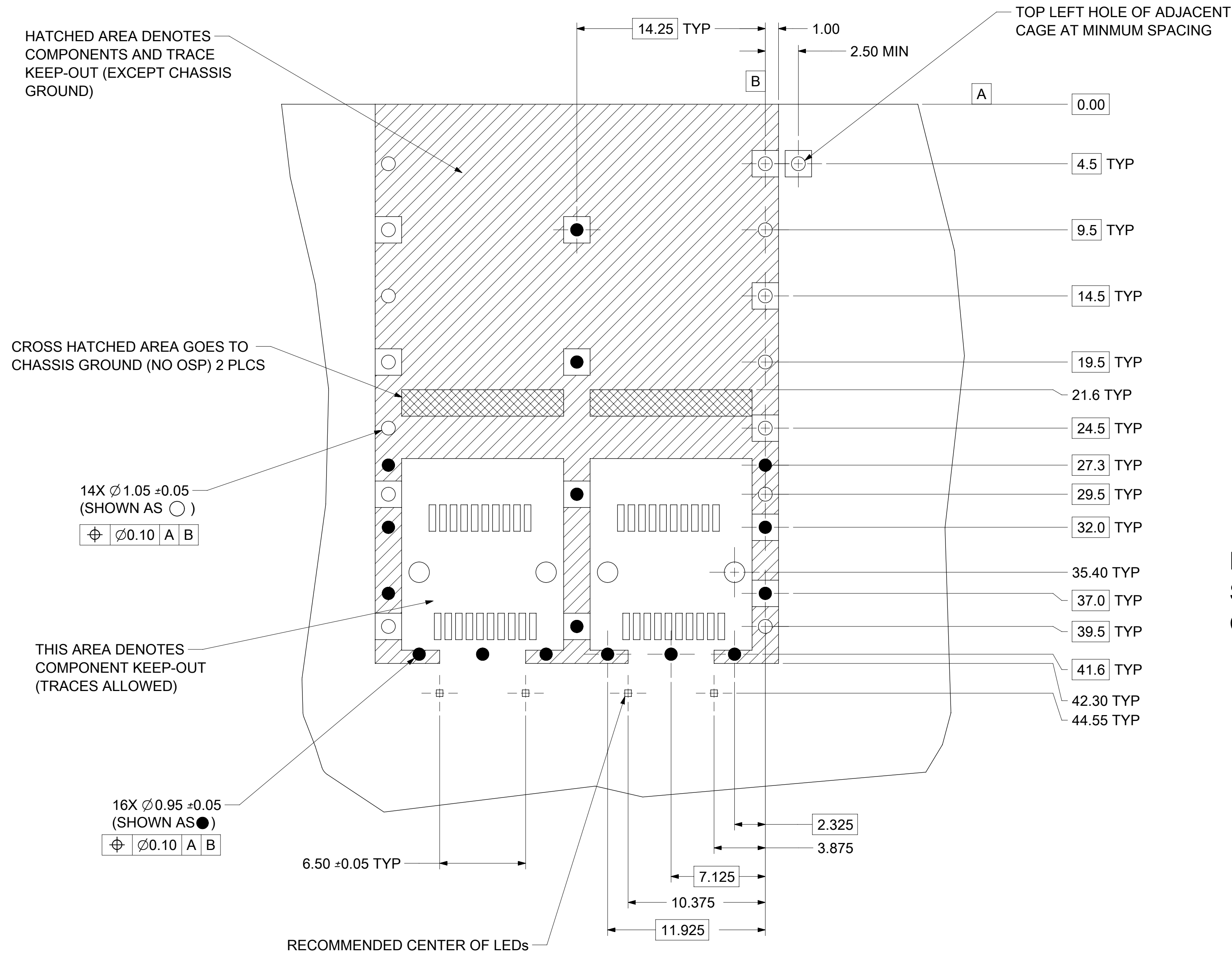


DETAIL A
SCALE 4:1

- NOTES:
1. PADS AND VIAS CONNECT TO CHASSIS GROUND RECOMMEND PADS TO BE 2.00mm SQUARE
 2. RECOMMENDED THRU HOLE PLATING INCLUDES HASL, OSP, OR IMMERSION (GOLD, SILVER, OR TIN)
 3. CONNECTOR PAD LAYOUT PER SFP+ MSA WILL ACCOMODATE MOLEX CONNECTOR SERIES 74441 OR EQUIVALENT.
 4. SPACING BETWEEN PORTS IS 14.25mm

QUALITY SYMBOLS		THIS DRAWING CONTAINS INFORMATION THAT IS PROPRIETARY TO MOLEX ELECTRONIC TECHNOLOGIES, LLC AND SHOULD NOT BE USED WITHOUT WRITTEN PERMISSION									
▽ = 0	▽ = 0	SEE REVISION TABLE	EC NO: 103896 DRWN: DSUN15 CHKD: RCHEN08 REV / APPR: RCHEN08	2015/12/15 2016/03/31 2016/03/31	GENERAL TOLERANCES (UNLESS SPECIFIED)		DIMENSION UNITS	SCALE	molex		
▽ = 0	▽ = 0				ANGULAR TOL ± 2.0 °		mm	4:1			
▽ = 0	▽ = 0				4 PLACES ±	DRWN BY	DATE	SFP+ 1X2 CAGE WITH HEATSINK AND LP			
▽ = 0	▽ = 0				3 PLACES ±	DSUN15	2015/12/15				
▽ = 0	▽ = 0				2 PLACES ± 0.13	CHKD BY	DATE	PRODUCT CUSTOMER DRAWING			
▽ = 0	▽ = 0	1 PLACE ± 0.25	EWANG07								
⊠ = 0	■ = 0	0 PLACES ±	APPR BY	DATE	SERIES	MATERIAL NUMBER	CUSTOMER	DOCUMENT NUMBER			
▽ = 0	▽ = 0	DRAFT WHERE APPLICABLE MUST REMAIN WITHIN DIMENSIONS	RCHEN08	2016/03/31	111112	1111126281					1111126281
		DRAWING SIZE	THIRD ANGLE PROJECTION	C	1111126281	PSD	DOC PART	SHEET NUMBER	2 OF 5		

PCB LAYOUT FOR BELLY TO BELLY MOUNTING

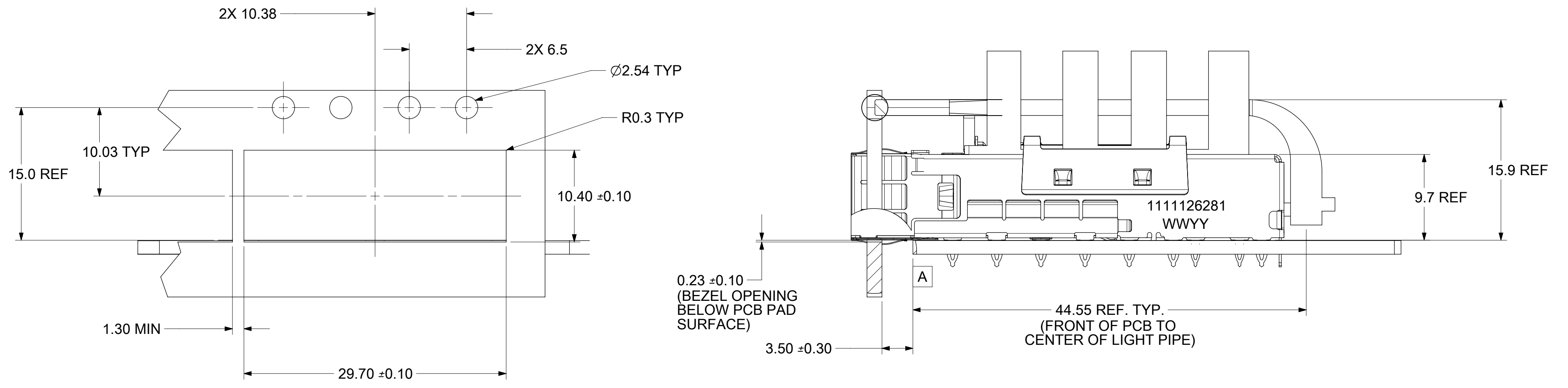


NOTE:
SEE SHEET 2 FOR HOST
CONNECTOR DETAIL

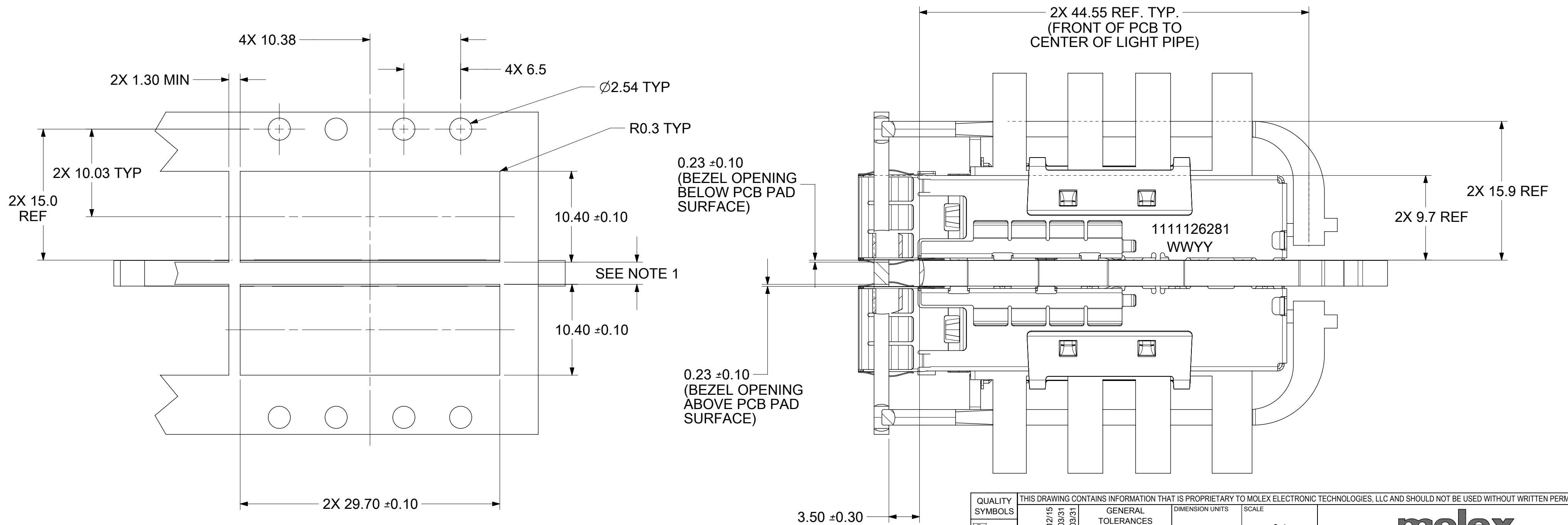
- NOTES:**
1. PADS AND VIAS CONNECT TO CHASSIS GROUND RECOMMEND PADS TO BE 2.00mm SQUARE
 2. RECOMMENDED THRU HOLE PLATING INCLUDES HASL, OSP, OR IMMERSION (GOLD, SILVER, OR TIN)
 3. CONNECTOR PAD LAYOUT PER SFP+ MSA WILL ACCOMODATE MOLEX CONNECTOR SERIES 74441 OR EQUIVALENT.
 4. SPACING BETWEEN PORTS IS 14.25mm

QUALITY SYMBOLS		THIS DRAWING CONTAINS INFORMATION THAT IS PROPRIETARY TO MOLEX ELECTRONIC TECHNOLOGIES, LLC AND SHOULD NOT BE USED WITHOUT WRITTEN PERMISSION		DIMENSION UNITS		SCALE		molex	
▽ = 0	▽ = 0	GENERAL TOLERANCES (UNLESS SPECIFIED)		mm		4.5:1			
▽ = 0	▽ = 0	ANGULAR TOL ± 2.0 °		DRWN BY		DATE		SFP+ 1X2 CAGE WITH HEATSINK AND LP	
▽ = 0	▽ = 0	4 PLACES ±		DSUN15		2015/12/15			
▽ = 0	▽ = 0	2 PLACES ± 0.13		CHKD BY		DATE		PRODUCT CUSTOMER DRAWING	
▽ = 0	▽ = 0	1 PLACE ± 0.25		EWANG07					
▽ = 0	▽ = 0	0 PLACES ±		APPR BY		DATE		SERIES MATERIAL NUMBER CUSTOMER	
▽ = 0	▽ = 0	DRAFT WHERE APPLICABLE MUST REMAIN WITHIN DIMENSIONS		RCHEN08		2016/03/31			
□ = 0	■ = 0	SEE REVISION TABLE		DRAWING SIZE		THIRD ANGLE PROJECTION		DOCUMENT NUMBER 111112 1111126281	
□ = 0	■ = 0	EC NO: 103896 DRWN: DSUN15 CHKD: RCHEN08 REV APPR: RCHEN08		C					

BEZEL AND BOARD POSITION DIMENSIONS FOR SINGLE SIDE MOUNTING



BEZEL AND BOARD POSITION DIMENSIONS FOR BELLY TO BELLY MOUNTING



NOTE:
1.PCB THICKNESS VARIATION MUST BE CONSIDERED WHEN DETERMINING BEZEL OPENING LOCATION.

QUALITY SYMBOLS		THIS DRAWING CONTAINS INFORMATION THAT IS PROPRIETARY TO MOLEX ELECTRONIC TECHNOLOGIES, LLC AND SHOULD NOT BE USED WITHOUT WRITTEN PERMISSION		DIMENSION UNITS		SCALE			
▽ = 0	▽ = 0	GENERAL TOLERANCES (UNLESS SPECIFIED)		mm		3:1			
▽ = 0	▽ = 0	ANGULAR TOL ± 2.0 °		DRWN BY		DATE		SFP+ 1X2 CAGE WITH HEATSINK AND LP	
▽ = 0	▽ = 0	4 PLACES ±		DSUN15		2015/12/15			
▽ = 0	▽ = 0	3 PLACES ±		CHKD BY		DATE		PRODUCT CUSTOMER DRAWING	
▽ = 0	▽ = 0	2 PLACES ± 0.13		EWANG07					
▽ = 0	▽ = 0	1 PLACE ± 0.25		APPR BY		DATE		SERIES: 111112 MATERIAL NUMBER: 1111126281 CUSTOMER:	
▽ = 0	▽ = 0	0 PLACES ±		RCHEN08		2016/03/31			
⊠ = 0	■ = 0	DRAFT WHERE APPLICABLE MUST REMAIN WITHIN DIMENSIONS		DRAWING SIZE		THIRD ANGLE PROJECTION		DOCUMENT NUMBER: 1111126281 DOC TYPE: PSD DOC PART: ASY SHEET NUMBER: 4 OF 5	
▽ = 0				C					

H
G
F
E
D
C
B
A

DATE	REV	DESCRIPTION
2015/12/17	A	INITIAL RELEASE

QUALITY SYMBOLS		THIS DRAWING CONTAINS INFORMATION THAT IS PROPRIETARY TO MOLEX ELECTRONIC TECHNOLOGIES, LLC AND SHOULD NOT BE USED WITHOUT WRITTEN PERMISSION									
▽ = 0	SEE REVISION TABLE EC NO: 103896 DRWN: DSUN15 CHKD: RCHEN08 APP: RCHEN08 REV: RCHEN08	GENERAL TOLERANCES (UNLESS SPECIFIED)		DIMENSION UNITS	SCALE	molex					
▽ = 0		ANGULAR TOL ± 2.0 °		mm	1:1						
▽ = 0		4 PLACES ±	DRWN BY DATE		SFP+ 1X2 CAGE WITH HEATSINK AND LP						
▽ = 0		3 PLACES ±	DSUN15 2015/12/15								
▼ = 0		2 PLACES ± 0.13	CHKD BY DATE		PRODUCT CUSTOMER DRAWING						
▽ = 0		1 PLACE ± 0.25	EWANG07								
⊠ = 0		0 PLACES ±	APPR BY DATE		SERIES MATERIAL NUMBER CUSTOMER						
■ = 0		DRAFT WHERE APPLICABLE MUST REMAIN WITHIN DIMENSIONS		RCHEN08 2016/03/31							
▽ = 0		A	DRAWING SIZE	THIRD ANGLE PROJECTION	DOCUMENT NUMBER			DOC TYPE DOC PART SHEET NUMBER			
			C		111112 1111126281			PSD ASY 5 OF 5			