

PRODUCT NUMBER
10119333-YXX-XXLF

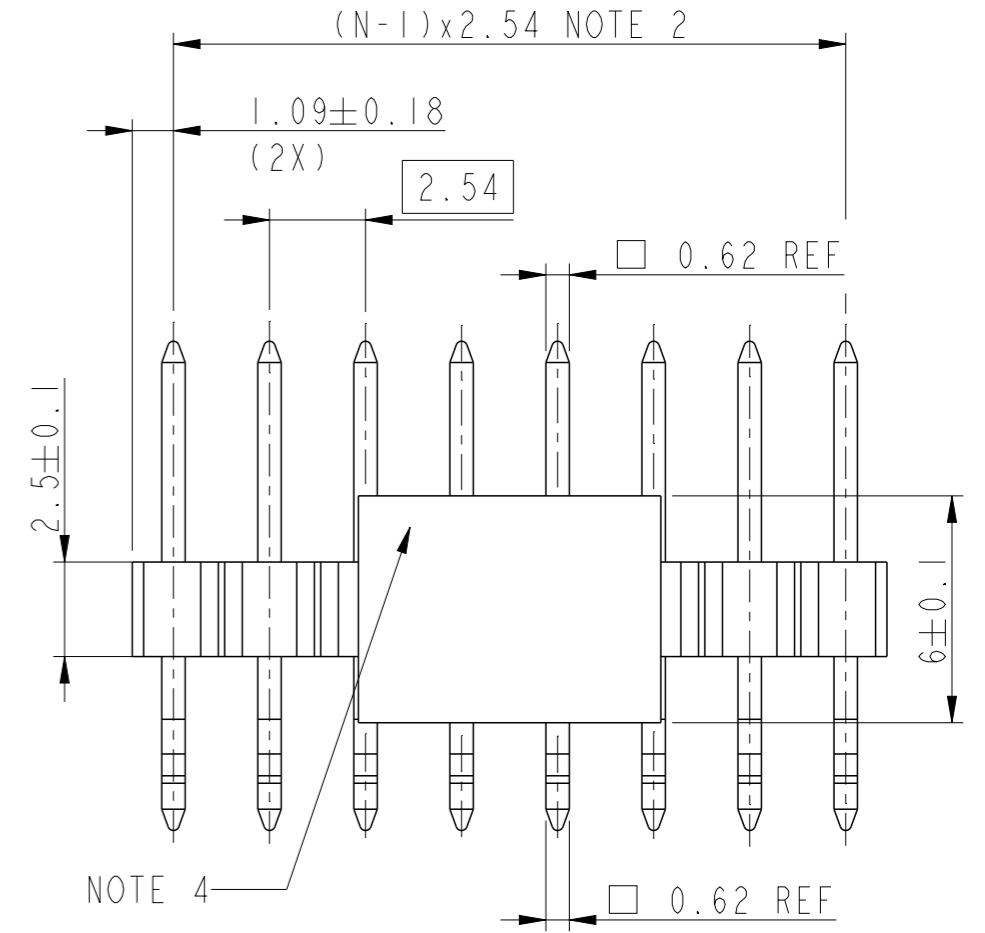
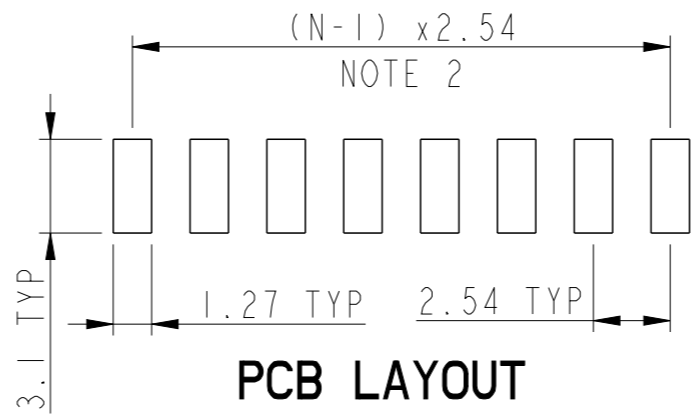
PLATING
1=0.76µm GXT/GOLD ON CONTACT
2µm TIN MIN ON TAILS
4=2µm TIN MIN FULL PLATED

RoHS COMPATIBLE
NOTE 4

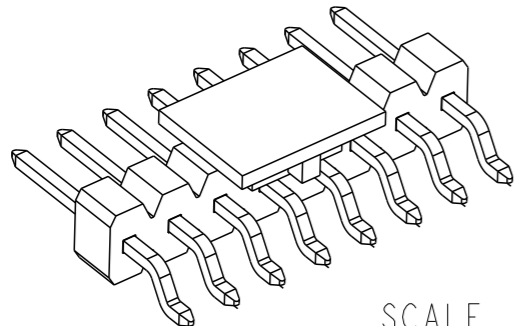
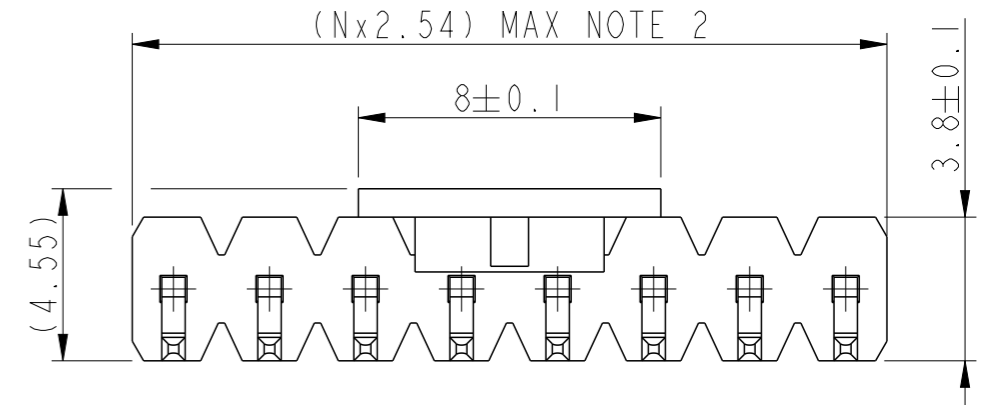
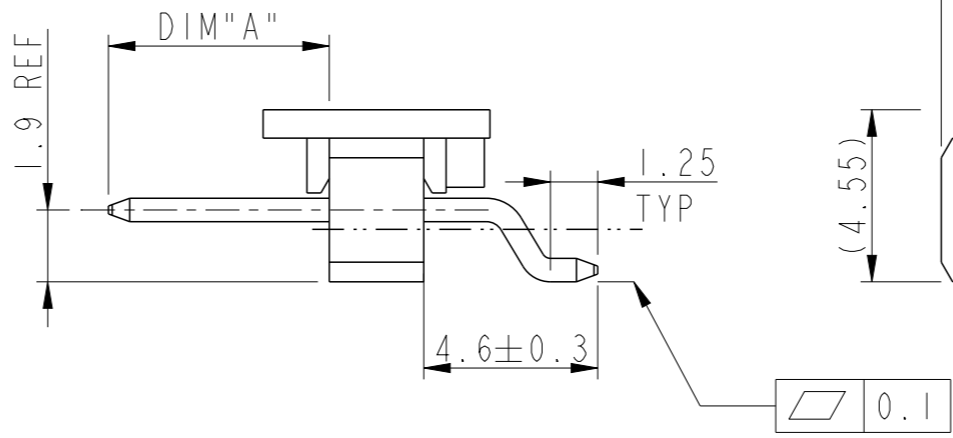
TOTAL NUMBER OF
POSITIONS :
02 TO 15 POS

PACKAGING, NOTE 3

STYLE	DIM "A" ±0.2
01	5.84
02	8.08
03	10.67
04	3.00



- NOTES:
- MATERIAL:
 - BODY: HIGH TEMPERATURE THERMOPLASTIC UL94V-0 COLOR BLACK
 - PIN: COPPER ALLOY
 - TO DETERMINATE DIMENSIONS:
 - N = NUMBER OF POSITIONS
 - EXAMPLE: 8 POS x 2.54=20.32
 - PACKAGING:
 - A = TAPE & REEL PACKAGING WITH PICK -UP CAP AS PER GS-14-2357
 - K = T&R PACKAGING WITHOUT PICK UP CAP, AS PER GS-14-2357
 - = POLYBAGS
 - RoHS COMPATIBLE PRODUCT SPECIFICATIONS:
 - PLATING:
 - "LF" MEANS THE PRODUCT IS LEAD FREE
 - 2µm MINIMUM MATTE TIN OVER 1.27µm MINIMUM NICKEL UNDERPLATED
 - MANUFACTURING PROCESS COMPATIBILITY:
 - THE HOUSING WILL WITHSTAND EXPOSURE TO 260°C PEAK TEMPERATURE FOR 30 SECONDS MAX IN CONVECTION, INFRA-RED OR VAPOR PHASE OR REFLOW OVEN
 - LABELLING:
 - MEETS PACKAGING SPECS AS PER GS-14-920
 - LEGAL STATEMENT: SEE GS-47-0004
 - PRODUCT SPECIFICATIONS AS PER BUS-12-114 EXCEPT PIN RETENTION FORCE 5N MIN.



SCALE 3:1

spec ref	dr	Aymeric Soudy	2014/02/21	projection	MM	size	A3	scale	5:1
tolerance std	eng	Laurent Mulin	2020/04/22			ecn no	ELX-F-36816-1	rel level	Released
ISO 406 ISO 1101	chr	-	-						
surface	linear	0.X	±0.3	product family		BSTIK		dwg no	10119333
		0.XX	±0.13	Amphenol FCI		rev	C		
ISO 1302	angular	0°	±2°	www.fci.com	cat. no.			-	Product - Customer Drw

© 2016 AFCI Amphenol FCI