

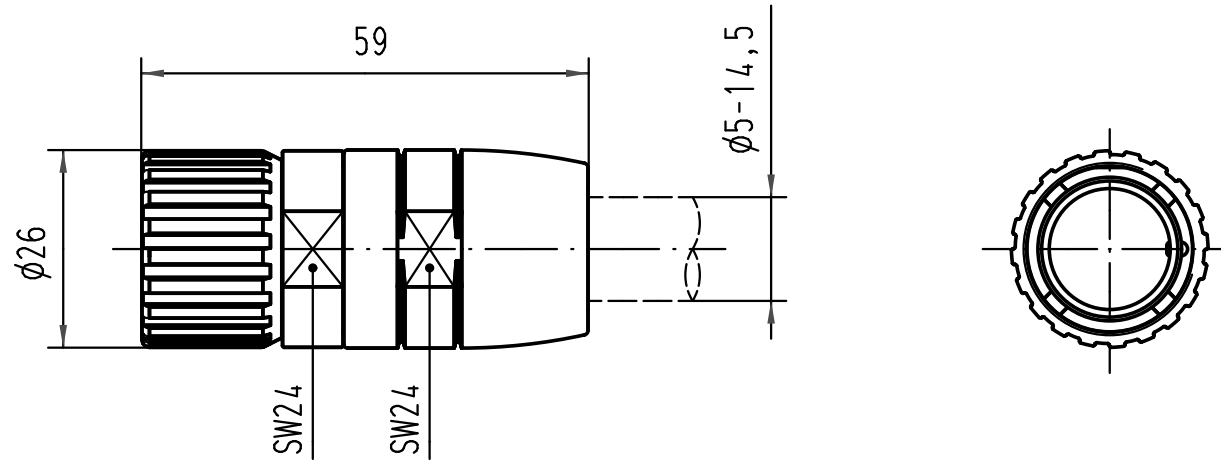
1 2 3 4 5 6

A

B

C

D



|   |          |      |                                |          |       |  |   |  |
|---|----------|------|--------------------------------|----------|-------|--|---|--|
| All Dimensions in mm<br>Original Size DIN A 4 |          |      | Techn. Character.              |          |       | Nicht tolerierte Maße/Free size tolerances |   |  |
|   |          |      |                                | Dat.     | Name  | Maßstab/Scale<br><b>1:1</b>                | <b>Han R23-gg-EMV</b><br>Tuellengehaeuse/hood top-entry |  |
|   |          |      | Detail.                        | 18.03.97 | Sper. |  |   |  |
|   |          |      | Insp.                          |          | Sdt.  |  |   |  |
|   |          |      | Stand.                         |          |       |  |   |  |
| 413155  | 27.08.07 | Ho   | HARTING Electric GmbH & Co. KG |          |       |  | <b>TB 09 15 200 0451</b>                                |  |
| Mod.  | Dat.     | Name | D-32339 Espelkamp              |          |       |  |   |  |