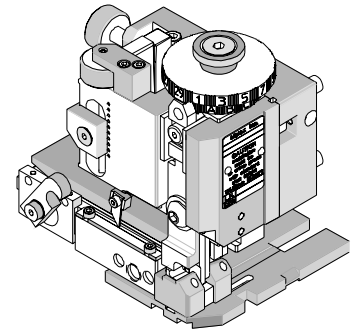




Mini-Mac Applicator Specification Sheet Order No. 63892-5000



FEATURES

- Directly adapts to most automatic wire processing machines
- Applicator designed to industry standard mounting and shut height 135.80mm (5.346")
- Quick set-up time; plus the crimp height, track and feed adjustments can be set without removing the applicator from the press
- Fine adjustment allows users to achieve target with little effort by adjusting in increments of .015mm (.0006") for barrel crimp height and .063mm (.0025") for insulation height. See notes on Page 2.
- Independent adjustment rings allow users to quickly adjust the conductor or insulation crimp height without affecting each other.

SCOPE

Products: Board-In Crimp Terminal Male, 22-26 AWG.

Terminal Series No.	Terminal Order No.	Wire Size		Insulation Diameter		Strip Length	
		AWG	mm ²	mm	In.	mm	In.
4811	16-02-0037	22-26	0.35-0.12	2.29-2.54	.090-.100	5.97-6.35	.235-.250
	16-02-0041						

DEFINITION OF TERMS

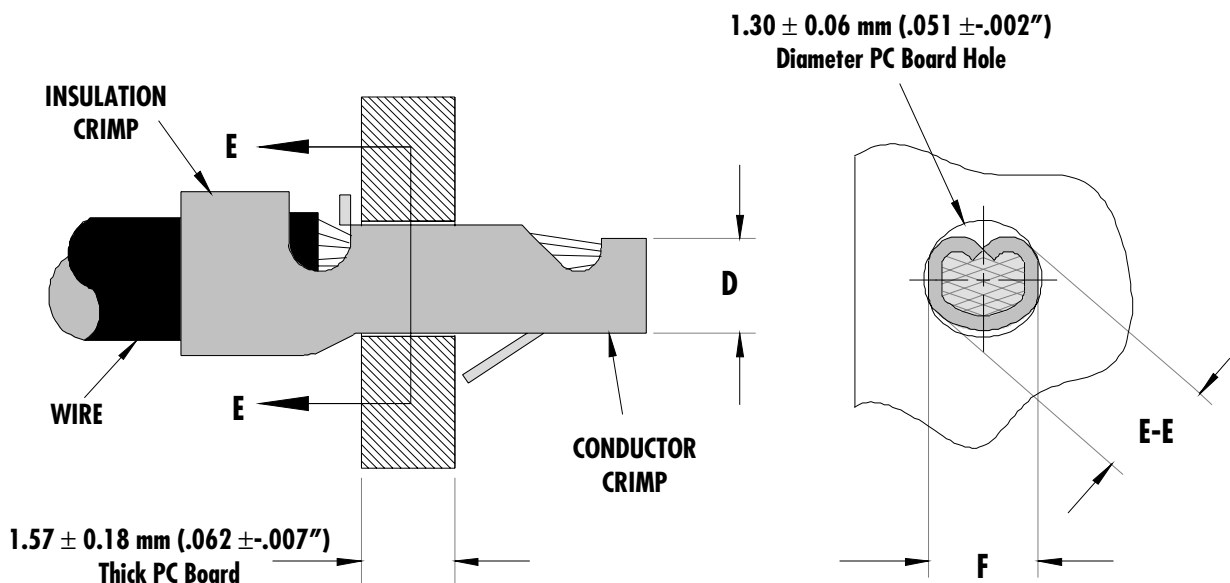



Figure 1

Section E-E

CRIMP SPECIFICATIONS

After crimping, the conductor profiles should measure the following (See Figure 1).

Terminal Series No.	Wire Size		Dimensions (Figure 1)						Pull Force Min.	
			D (Conductor)		E-E (Barrel)		F (Ref.)			
	AWG	mm ²	mm	In	mm	In..	mm	In.	N	Lb.
4811	22	0.35	0.88-0.97	.035-.038	1.19-1.24	.047-.049	0.97	.038	13.30	3.0
	24	0.20	0.88-0.97	.035-.038	1.19-1.24	.047-.049	0.97	.038	13.30	3.0
	26	0.12	0.84-0.91	.033-.036	1.19-1.24	.047-.049	0.97	.038	13.30	3.0

 The crimp on this terminal is not an electrical crimp; the final soldering operation is the electrical connection. This minimum force is what should be expected when pulling the terminal with both insulation and conductor crimped.

Notes:

- The Conductor crimp (D dimension on Figure 1) should be set at the maximum height to contain all wire strands, meet minimum pull, and fit into the PCB Hole. The insulation and barrel crimps are adjustable, by the cams (rings) on top of the Mini-Mac ram. The conductor crimp height is not adjustable. Shimming may be required of the conductor punch to optimize this for different wire types.

PARTS LIST

Mini-Mac Applicator 63892-5000				
Item	Order No	Engineering No.	Description	Quantity
Perishable Tooling				
	63892-5070	63892-5070	Tool Kit (All "Y" Items)	REF
1	11-18-4272	60702A103	Conductor Punch	1 Y
2	11-18-4274	60702A105	Combination Anvil	1 Y
3	11-18-4270	60702A101	Insulation Punch	1 Y
4	11-18-4271	60702A102	Barrel Form Punch	1 Y
5	11-18-4032	60705A106	Cut-Off Plunger	1 Y
6	11-18-4033	60705A107	Cut-off Plunger Retainer	1 Y
7	11-18-4276	60702A107	Rear Cut-Off Plunger and Wire Stop	1 Y
8	11-18-4277	60702A108	Rear Cut-off Plunger Retainer	1 Y
Other Components				
9	11-18-4034	60705A108	Front Plunger Striker	1
10	11-18-4083	60707-8	Feed Guide	1
11	11-18-4278	60702A109	Rear Plunger Striker	1
12	11-18-4279	60702A110	Tooling Washer	1
13	11-18-4282	60702A113	Rear Cover	1
14	11-24-1067	4996-4	Cut-off Plunger Spring	2
15	63803-5108	63803-5108	Conductor Bushing	1
Frame				
16	63801-3201	63801-3201	Top	1
17	63801-3282	63801-3282	Base	1
18	63801-6550	63801-6550	Track	1
Hardware				
19	N/A	N/A	M3 by 8 Long SHCS	2**
20	N/A	N/A	M4 by 8 Long SHCS	2**
21	N/A	N/A	M4 by 8 Long BHCS	2**
22	N/A	N/A	M8 by 20 Long BHCS	1**
23	N/A	N/A	#6-32 by 3/8" Long BHCS	1**
24	N/A	N/A	#6-32 by 3/8" Long SHCS	1**
25	N/A	N/A	#8-32 by 3/8" Long BHCS	4**
** Available from an industrial supply company such as MSC (1-800-645-7270).				

Assembly Drawing

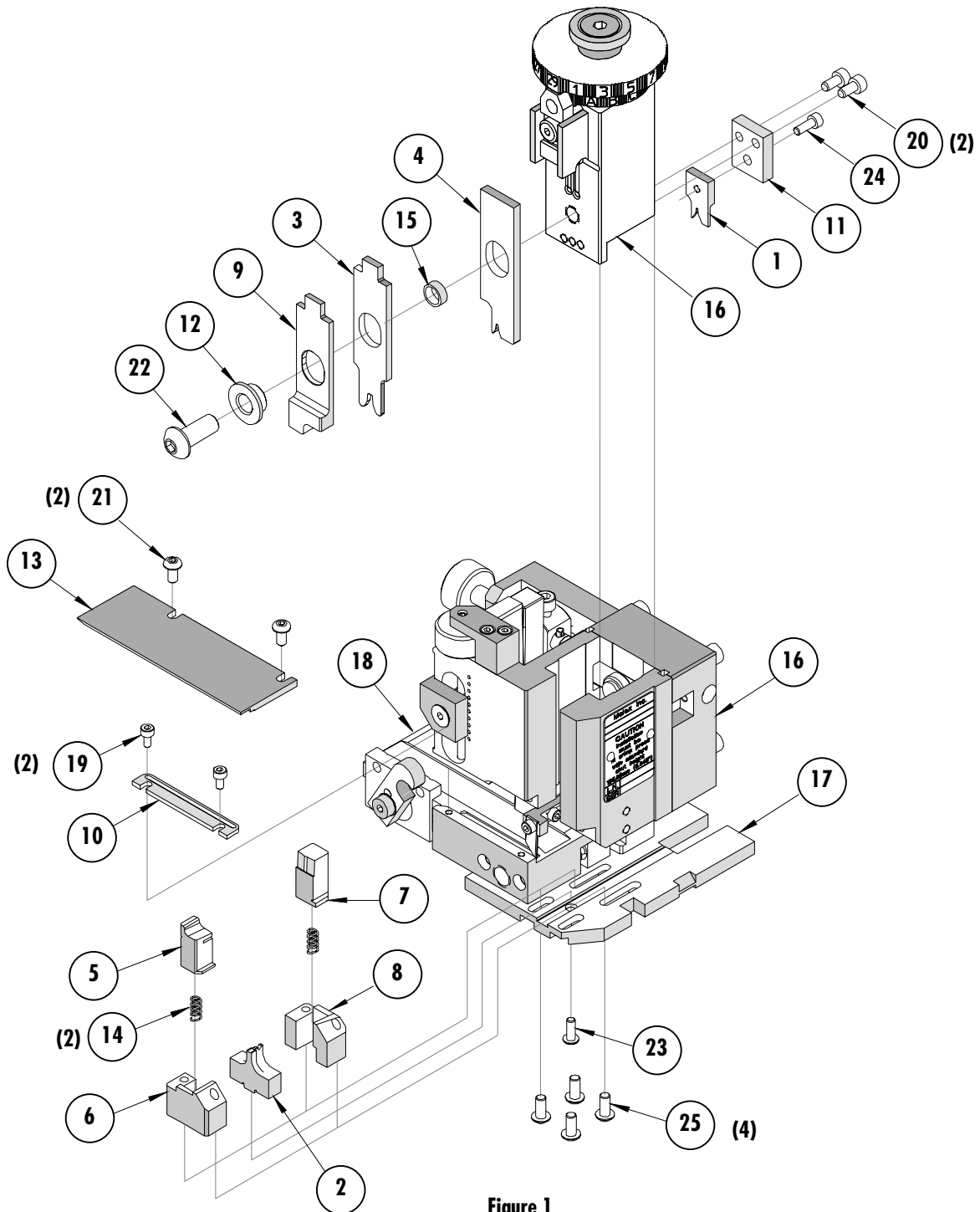


Figure 1

NOTES

1. Molex recommends an extra perishable tooling kit be maintained at your facility.
2. Verify tooling alignment by manually cycling the press and applicator before crimping under power. Check that all screws are tight.
3. Slugs, terminals, dirt, and oil should be kept clear of work area.
4. Wear safety glasses at all times.
5. For recommended maintenance refer to the Mini-Mac Manual.

CAUTION: This applicator should only be used in a press with a shut height of 135.80 mm (5.346"). Tooling damage could result at a lower setting

CAUTION: To prevent injury, never operate this applicator without the guards supplied with the press or wire-processing machine in place. Reference the press or wire processing manufacturer's instruction manual.

CAUTION: Molex crimp specifications are valid only when used with Molex terminals, applicators and tooling.

Contact Information

For more information on Molex application tooling please contact Molex at 1-800-786-6539.

Americas Headquarters

Lisle, Illinois 60532 U.S.A.
1-800-78MOLEX
amerinfo@molex.com

Far East North Headquarters

Yamato, Kanagawa, Japan
81-462-65-2324
feninfo@molex.com

Far East South Headquarters

Jurong, Singapore
65-6-268-6868
fesinfo@molex.com

European Headquarters

Munich, Germany
49-89-413092-0
eurinfo@molex.com

Corporate Headquarters

2222 Wellington Ct.
Lisle, IL 60532 U.S.A.
630-969-4550
Fax: 630-969-1352

Visit our Web site at <http://www.molex.com>