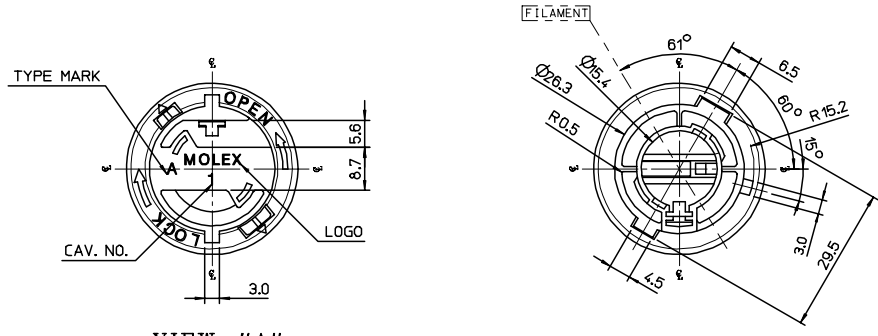
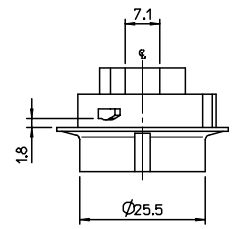
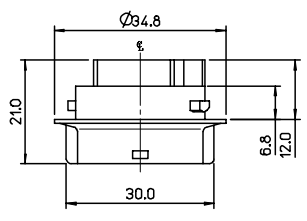


NOTES:

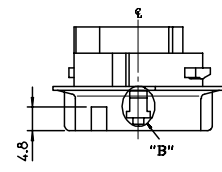
NO.	DESCRIPTION	MATERIAL	ENG. NO.	REMARK
1	SINGLE SOCKET- A TYPE	POLYAMIDE(PA66)	49504-020*	LCL=35mm
2	POSITIVE TERMINAL	PHOSPHOR BRONZE	35438-8000	UNPLATED
3	EARTH TERMINAL	PHOSPHOR BRONZE	35439-8000	UNPLATED



VIEW "A"



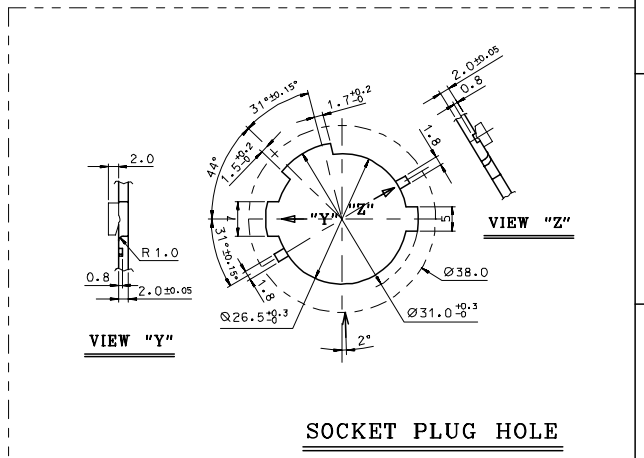
↑
"A"



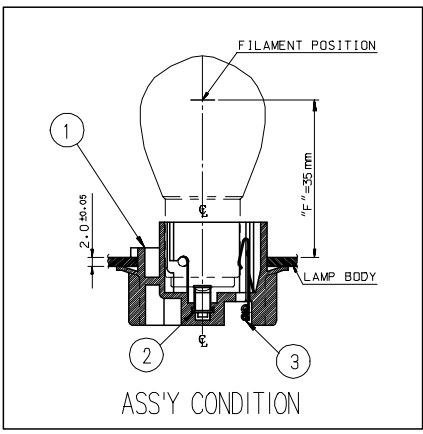
"B"

MXX SERIES NO. 49504 - * * * *
 SOCKET COLOR:
 0: NATURAL
 1: BLACK
 2: RED
 3: YELLOW
 4: BLUE
 5: GRAY
 6: WHITE
 7: BROWN
 ○: ON THE MARKET

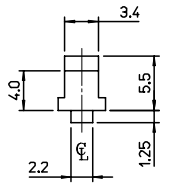
CIRCUIT NO. 0 : 'A' TYPE
1 : 'B' TYPE
2 : 'C' TYPE
3 : 'CC' TYPE
4 : 'D' TYPE



SOCKET PLUG HOLE



ASS'Y CONDITION



DETAIL "B"
SCALE 2:1

CHANGED OF NOTES	QUALITY SYMBOLS	GENERAL TOLERANCES (UNLESS SPECIFIED)		DIMENSION STYLE	SCALE	DESIGN UNITS	THIRD ANGLE PROJECTION	
		mm	INCH	MM ONLY	1:1	METRIC	⊙	□
EC NO: KOR2008-0095 DRWNER:KIM 2007/11/29 CHKD:BCYOON 2007/11/30 APPR:YUNSIKKIM 2007/11/30	▽=0 ∇=0	4 PLACES	± ---	± ---	DRAWN BY	DATE	TITLE	
		3 PLACES	± ---	± ---	SMK IM	2004/05/12	NON-SEALED BULB SOCKET SINGLE HOUSING-A TYPE (LCL=35MM)	
		2 PLACES	± 0.2	± ---	CHECKED BY	DATE	MOLEX INCORPORATED	
		1 PLACE	± 0.3	± ---	BCYOON	2004/05/12	DOCUMENT NO.	SD-49504-001
ANGULAR ± 1 °		DRAFT WHERE APPLICABLE MUST REMAIN WITHIN DIMENSIONS		MATERIAL NO.	DATE		SHEET NO.	
				49504020*	2004/05/12		1 OF 1	
				SIZE A3	THIS DRAWING CONTAINS INFORMATION THAT IS PROPRIETARY TO MOLEX INCORPORATED AND SHOULD NOT BE USED WITHOUT WRITTEN PERMISSION			