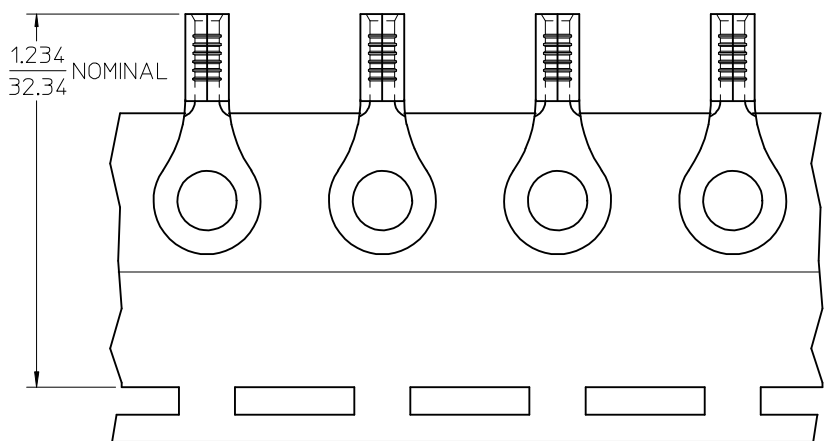
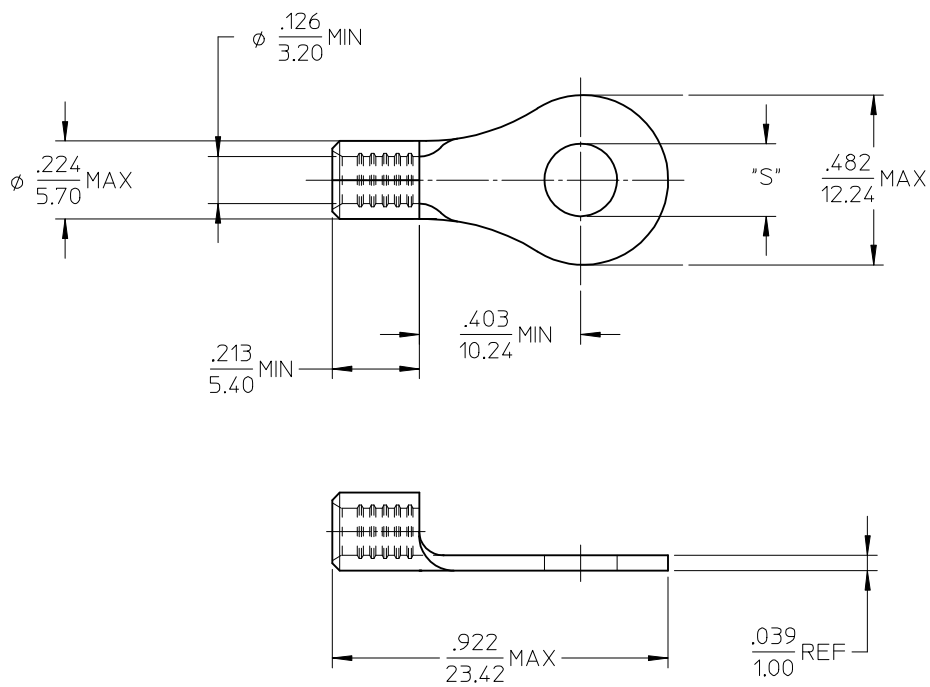


MATERIAL NO.	ENG. NO.	STUD SIZE	"S" MAX	DESCRIPTION
192030495	C-S-130-14	1/4	.259/6.58	LOOSE
192030095	C-S-130-14T	1/4	.259/6.58	TAPE



PARTS ON TAPE

NOTE(S):

- MATERIAL: STEEL
- WIRE SIZE: 12-10 AWG (4.0-6.0 MM²)
- FINISH: NICKEL PLATING
- PART IS ROHS COMPLIANT.
- AMBIENT OPERATING TEMPERATURE UP TO 900 °F (483 °C).

(B)

ADDED OPERATING TEMP EC NO: ETC2007-0297 DRW:EHILE 2007/03/13 CHKD:JMACNEIL 2007/03/13 APPR:JMACNEIL 2007/03/14	QUALITY SYMBOLS ▽=0 ▽=0	GENERAL TOLERANCES (UNLESS SPECIFIED)		DIMENSION STYLE	SCALE	DESIGN UNITS	THIRD ANGLE PROJECTION	
		mm	INCH	IN/MM	4:1	INCH		
		4 PLACES ± --- ± ---		DRAWN BY	DATE	RING TONGUE TERMINAL, 12-10 AWG, KRIMPTITE, 900 DEG F (483 DEG C)		
		3 PLACES ± --- ± ---		EHILE	2006/09/22			
2 PLACES ± --- ± ---		CHECKED BY	DATE	MOLEX INCORPORATED				
1 PLACE ± --- ± ---		JMACNEIL	2006/09/22					
ANGULAR ± ---°		APPROVED BY	DATE	MATERIAL NO.	DOCUMENT NO.	SHEET NO.		
DRAFT WHERE APPLICABLE MUST REMAIN WITHIN DIMENSIONS		JMACNEIL	2006/09/22	SEE CHART	SD-19203-033	1 OF 1		
		SIZE	THIS DRAWING CONTAINS INFORMATION THAT IS PROPRIETARY TO MOLEX INCORPORATED AND SHOULD NOT BE USED WITHOUT WRITTEN PERMISSION					
		B						