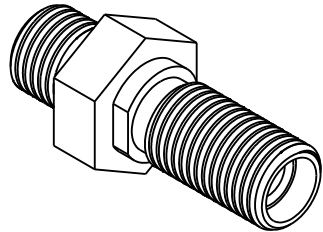
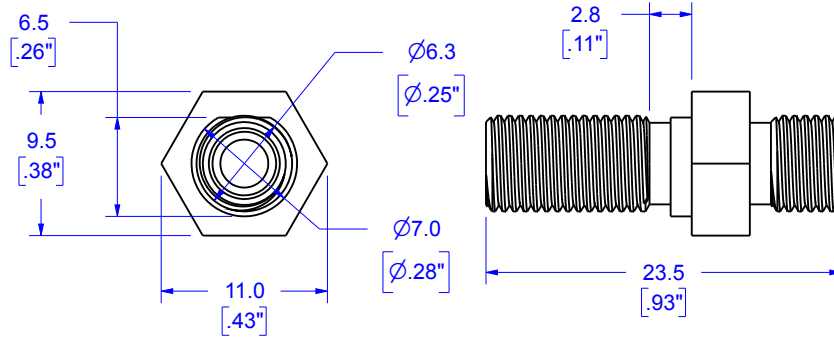


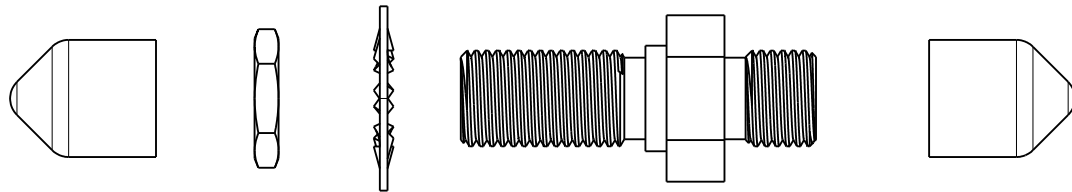
© COPYRIGHT 2012 BY INDUSTRIAL FIBER OPTICS, INC.
ALL RIGHTS RESERVED.



REVISIONS					
REV	DESCRIPTION	ECO	DATE	DWN	APVD
A	Initial release		2/17/2012	BB	AR

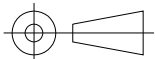


- NOTES:**
1. RoHS compliant.
 2. -40° C to 85° C operating temperature.
 3. Suitable for mating any FSMA II 905 terminations.
 4. Electropolished stainless steel body and nut for maximum corrosion resistance.
 5. Polyvinylchloride (PVC) dust caps.
 6. TIA 604.1 (FOCIS 1) compatible.



INCLUDES 8mm HEX NUT, LOCK WASHER AND TWO (2) POLYVINYLCHLORIDE DUST CAPS

UNLESS OTHERWISE SPECIFIED DIMENSIONS MILLIMETERS [IN.]	PRODUCT	Industrial Fiber Optics TEMPE, AZ 85281			
	MATERIAL				
DIMENSIONS SHOWN ARE FOR REFERENCE ONLY	FINISH	Electropolished	NAME		
	DRAWN BY	B. Bidwell	SMA Mating Sleeve		
	DATE	2/17/2012			
	CHECKED BY	A. Reyes	SIZE	SCALE	PART NUMBER
	DATE	2/20/2012	A	2:1	IF 820065
				REV	A
		DO NOT SCALE DRAWING		Sheet 1 of 1	



METRIC