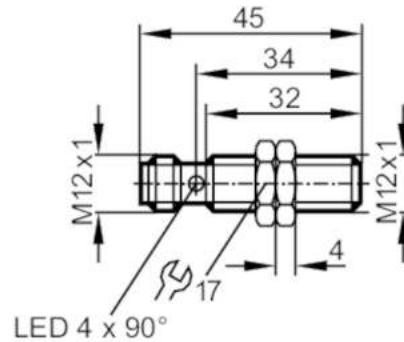


IFT203



Inductive sensor

IFB3004BBPKG/M/V4A/US-104-DPS



Product characteristics

Electrical design		PNP
Output function		normally open
Sensing range	[mm]	4
Housing		threaded type
Dimensions	[mm]	M12 x 1 / L = 45

Application

Special feature	Gold-plated contacts; Increased sensing range	
Application	regular cleaning processes	

Electrical data

Operating voltage	[V]	10...36 DC
Current consumption	[mA]	10; (24 V)
Protection class		II
Reverse polarity protection		yes

Outputs

Electrical design		PNP
Output function		normally open
Max. voltage drop switching output DC	[V]	2.5
Permanent current rating of switching output DC	[mA]	100
Switching frequency DC	[Hz]	800
Short-circuit protection		yes
Type of short-circuit protection		pulsed
Overload protection		yes

Detection zone

Sensing range	[mm]	4
Operating distance	[mm]	0...3.25
Increased sensing range		yes

Accuracy / deviations

Correction factor	steel: 1 / stainless steel: 0.7 / brass: 0.5 / aluminium: 0.4 / copper: 0.3	
-------------------	---	--

IFT203



Inductive sensor

IFB3004BBPKG/M/V4A/US-104-DPS

Hysteresis	[% of Sr]	1...20
------------	-----------	--------

Operating conditions

Ambient temperature	[°C]	0...100
Protection		IP 68; IP 69K; ("COP")

Tests / approvals

EMC	EN 61000-4-2 ESD	4 kV CD / 8 kV AD
	EN 61000-4-3 HF radiated	10 V/m
	EN 61000-4-4 Burst	2 kV
	EN 61000-4-6 HF conducted	10 V
	EN 55011	class B
MTTF	[years]	1676
UL approval	Ta	0...40 °C
	Enclosure type	Type 1
	power supply	Limited Voltage/Current
	File number UL	E174191

Mechanical data

Weight	[g]	27
Housing		threaded type
Mounting		flush mountable
Dimensions	[mm]	M12 x 1 / L = 45
Thread designation		M12 x 1
Materials		threaded sleeve: stainless steel (1.4404 / 316L); sensing face: PEEK; lock nuts: stainless steel

Displays / operating elements

Display	switching status	4 x 90° LED, yellow
---------	------------------	---------------------

Accessories

Items supplied		lock nuts: 2
----------------	--	--------------

Remarks

Pack quantity		1 pcs.
---------------	--	--------

Electrical connection - plug

Connector: 1 x M12; coding: A; Contacts: gold-plated



IFT203



Inductive sensor

IFB3004BBPKG/M/V4A/US-104-DPS

Connection

