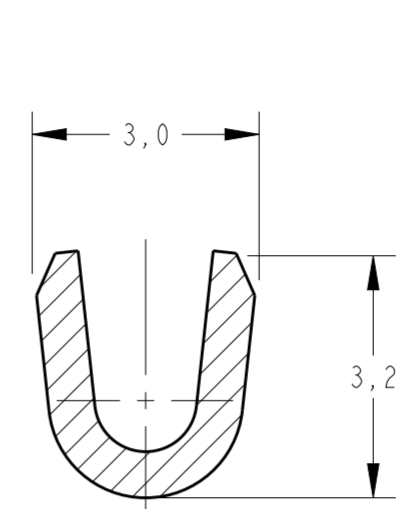
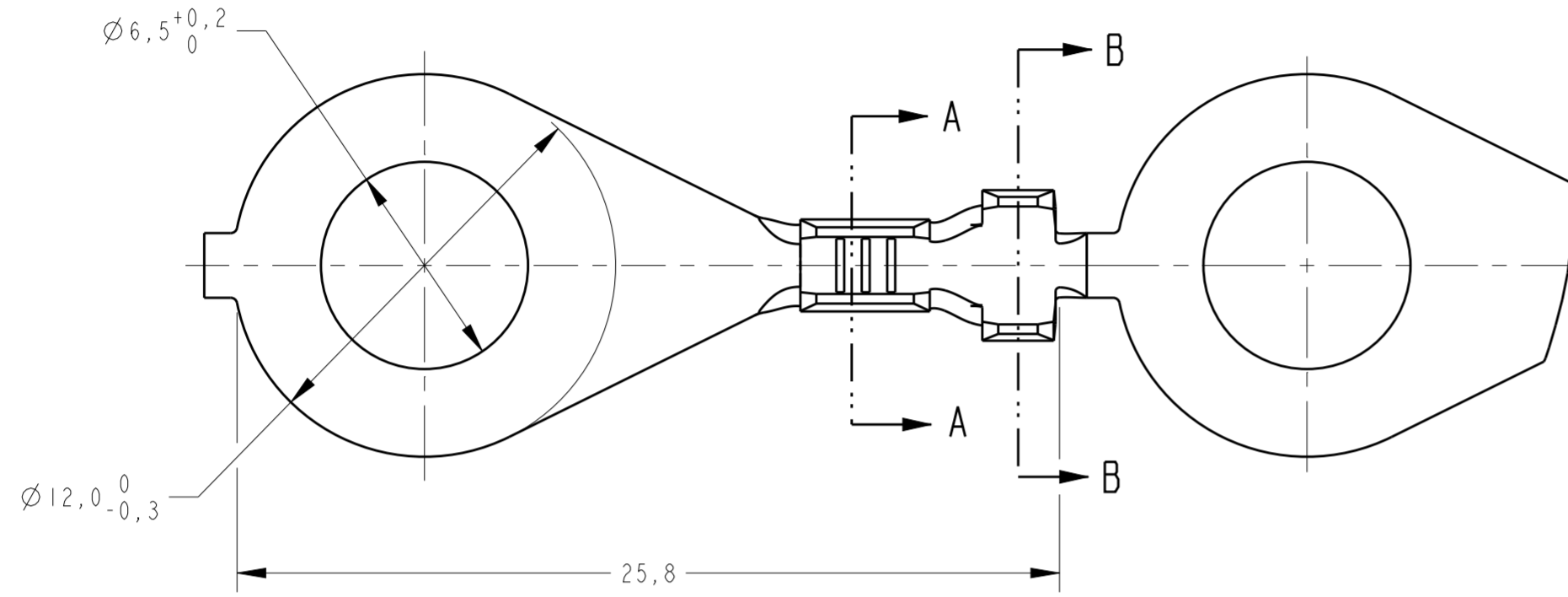


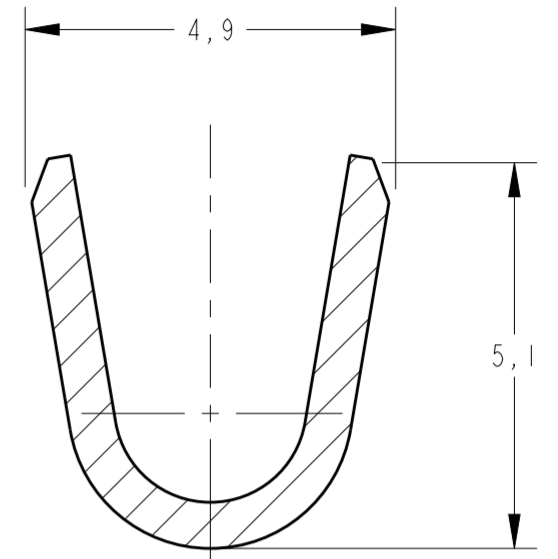
THIS DRAWING IS UNPUBLISHED. RELEASED FOR PUBLICATION 20
 © COPYRIGHT 20 BY - ALL RIGHTS RESERVED.

creo
 Creo Parametric 2.0
DO NOT REVISE
EXCEPT BY CAD

REVISIONS				
P	LTR	DESCRIPTION	DATE	APVD
B3		REV. BY ECO 17-005073	29MAY2017	HC WLS
B4		REVISED BY ECO-17-008235	09JUN2017	LAA JMM

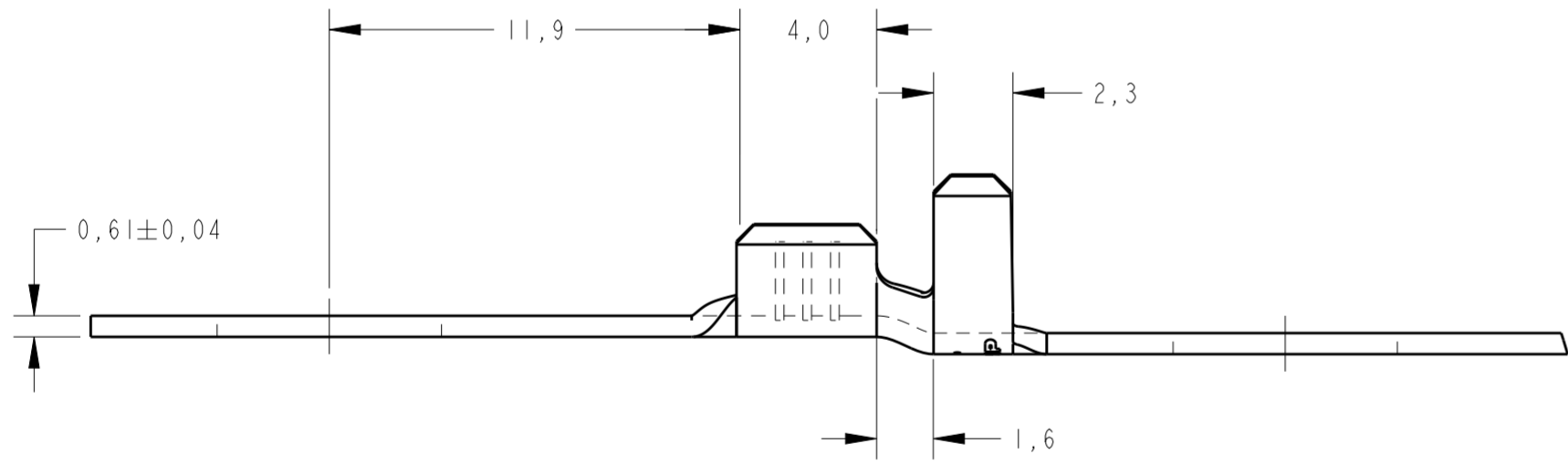
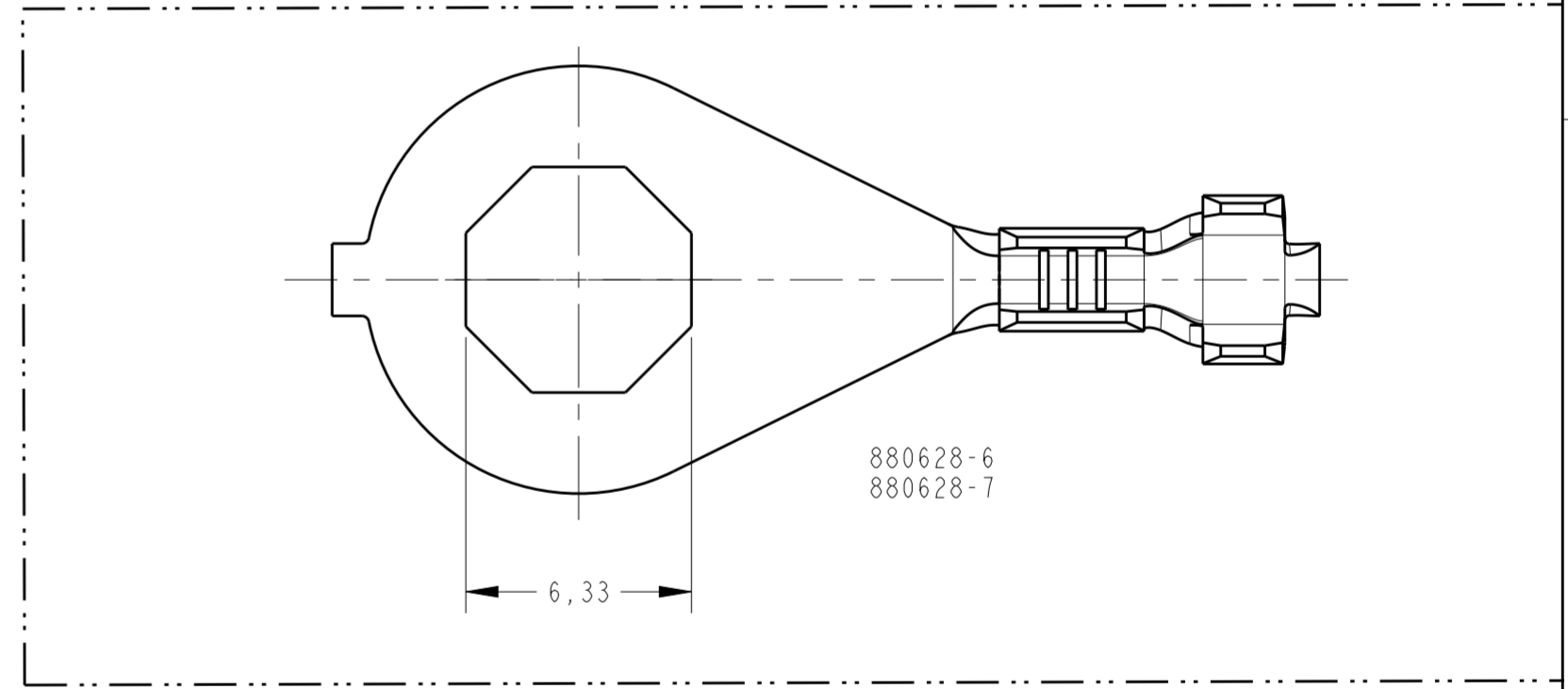


SECTION A-A
 SCALE 10:1

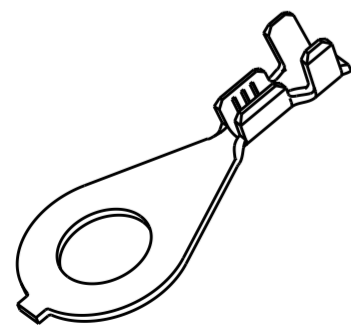


SECTION B-B
 SCALE 10:1

- ① - C.A 272
- ② - REBOBINAR INTERCALANDO COM PAPEL
 - REREELING WITH PAPER INTERLEAVE



	ESTANHADO / TINNED	LATÃO / BRASS	880628-7
	PLAIN	LATÃO / BRASS	880628-6
OBSOLETE	ESTANHADO / TINNED	LATÃO / BRASS ②	880628-5
OBSOLETE	ESTANHADO / TINNED	BRONZE FOSF. / PHOS. BRONZE	880628-4
OBSOLETE		BRONZE FOSF. / PHOS. BRONZE	880628-3
	ESTANHADO / TINNED	LATÃO / BRASS	880628-2
		LATÃO / BRASS	880628-1
	FINISH	MATERIAL ①	PART NUMBER



PERSPECTIVE VIEW
 SCALE 2:1

INS.DIA.RANGE	WIRE RANGE
2,0-3,3mm	0,5-1,0mm ²

THIS DRAWING IS A CONTROLLED DOCUMENT.

DIMENSIONS: mm	TOLERANCES UNLESS OTHERWISE SPECIFIED: 0 PLC ± 1 PLC ±0,3 2 PLC ± 3 PLC ± 4 PLC ± ANGLES ±° FINISH	DWN: NCLAPRESA 26MAY2015 CHK: FFORTUNATO 26MAY2015 APVD: 26MAY2015	TE Connectivity	
MATERIAL: SEE TABLE	SEE TABLE	PRODUCT SPEC: -	NAME: RING TONGUE	
		APPLICATION SPEC: -	SIZE: A2	CAGE CODE: -
		WEIGHT: -	DRAWING NO: C-880628	RESTRICTED TO: -
		Customer Drawing	SCALE: 5:1	SHEET: 1 OF 1 REV: B4