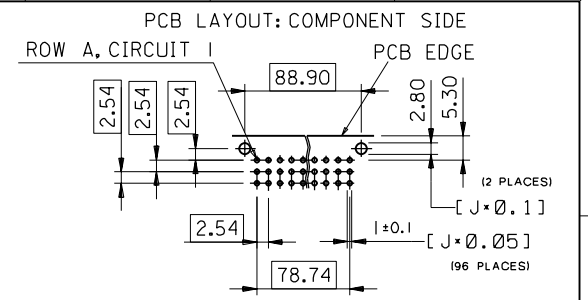
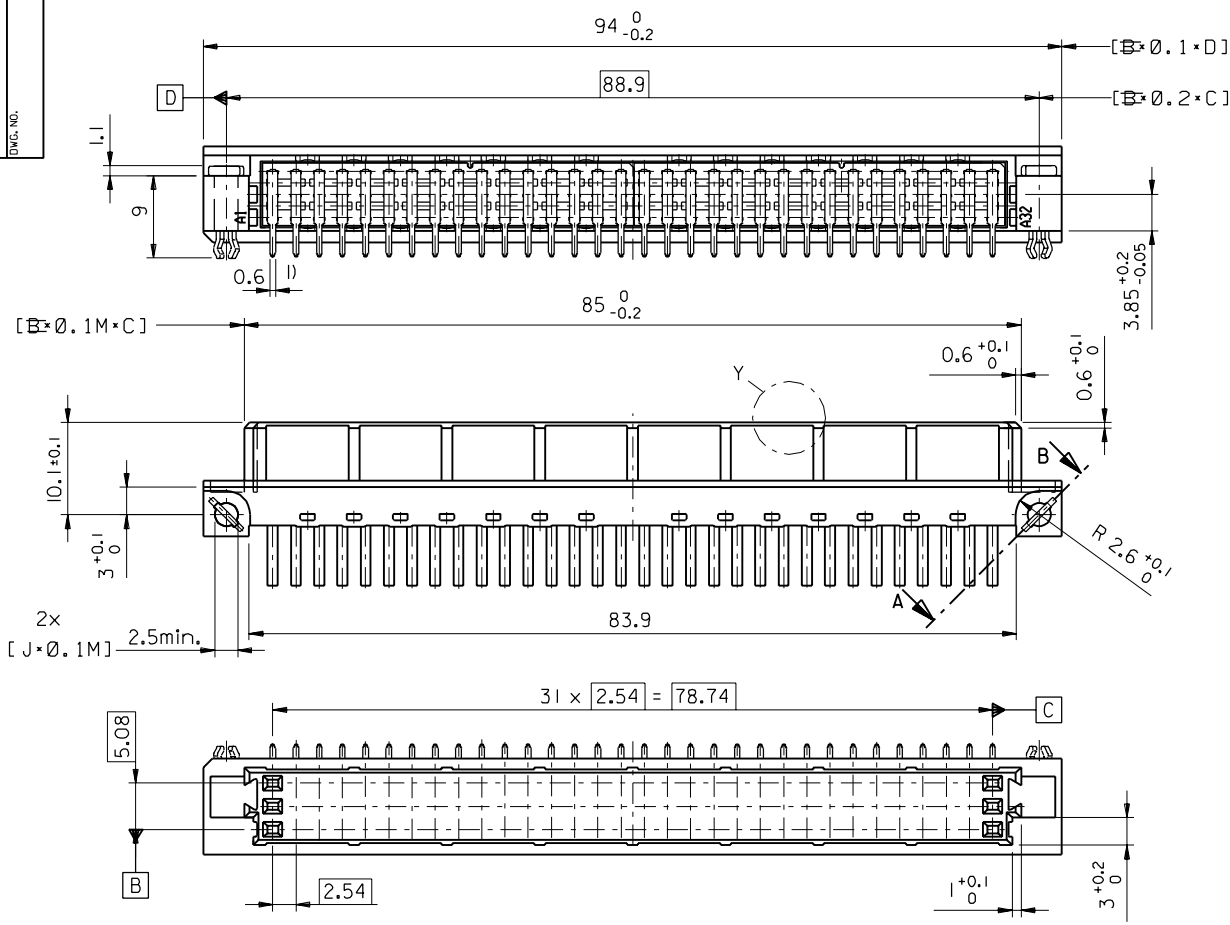
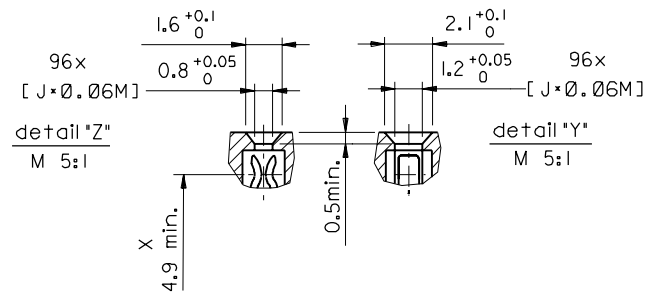
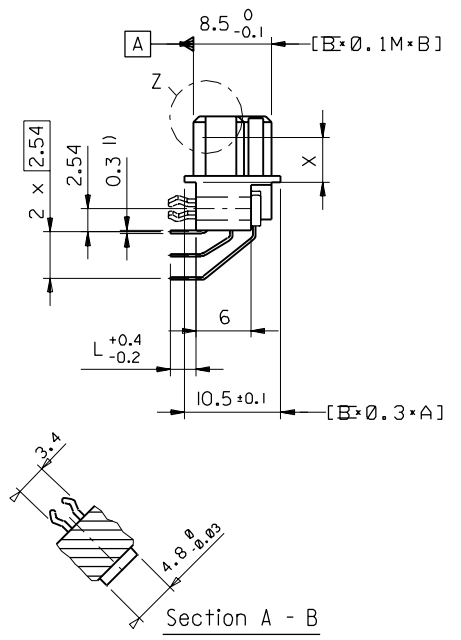


PART NO.
DWG. NO.



1) tails to fit in PC-board layout



FIRST ANGLE PROJECTION

DRWG BY	KN
SIGN	
CHK'D BY	Ca
SIGN	
APP'D BY	JB
SIGN	
SCALE	2:1

REVISE ONLY ON CAD SYSTEM		2	B1
CAD/CAM PROJECT NAME 85052000 611		SH.	REV.
TITLE 96 pos. female connector DIN 41612 style R + clip Dimensions			
MOLEX EUROPE		SHEET NO.	DATE
PART NO.		1 OF 2	96/04/25
DWG NO. SDA-85052-0001		SIZE B	

ECN MG1998-2586
hole pattern/L+0.4-0.2
97-09-15 KN

REVISIONS

NO.	DESCRIPTION
1	3 PLACE ±
2	2 PLACE ±
3	1 PLACE ±

LTR

IF TWO DIMENSIONS ARE SHOWN THE UPPER IS THE DESIGN DIMENSION, LOWER IS SECONDARY

