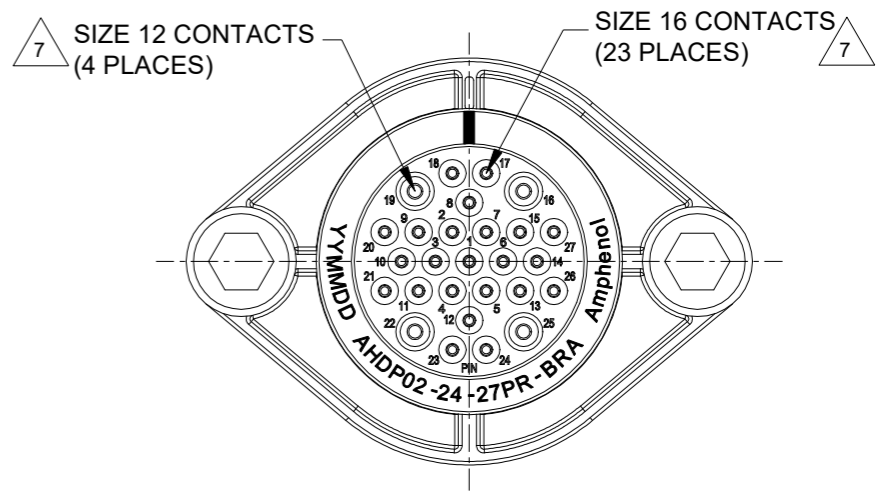
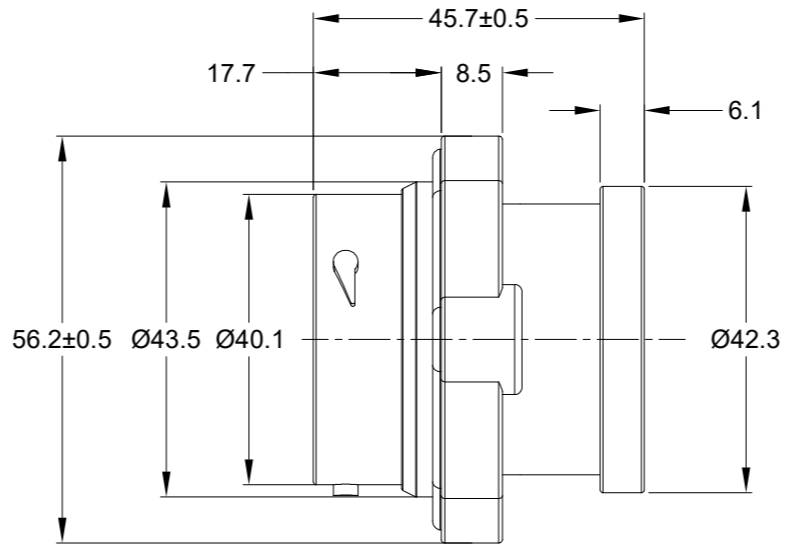
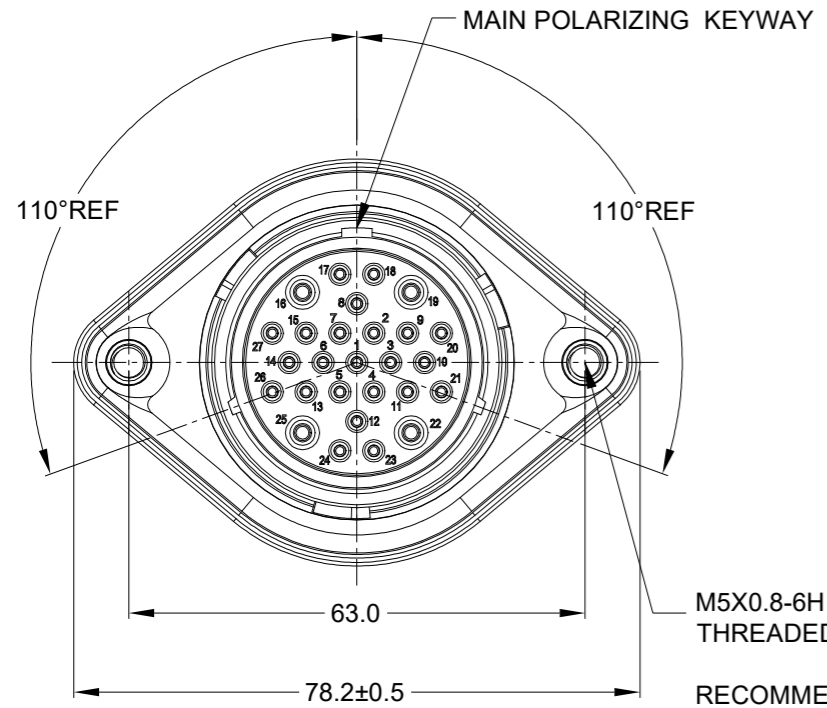
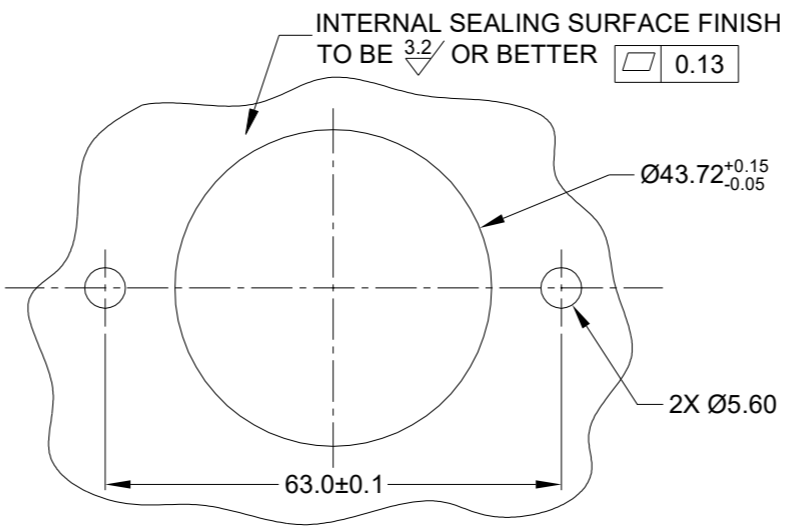


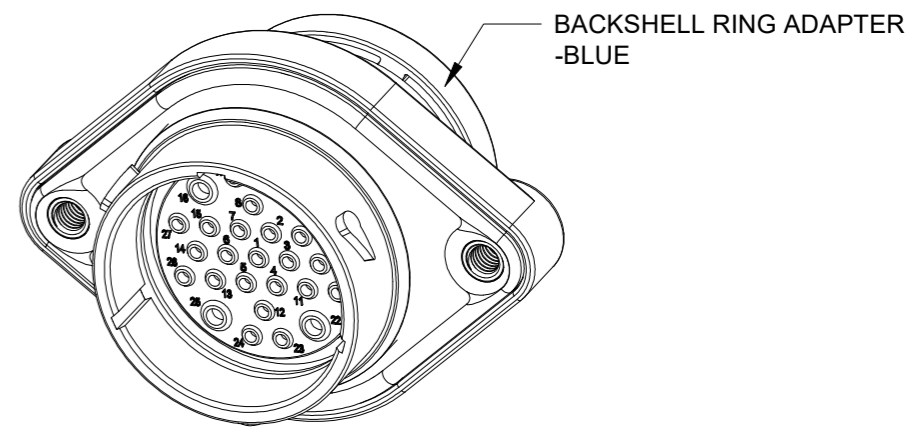
REVISIONS					
REV	ECO	DESCRIPTION	DATE	BY	APPR
A1	-	RELEASE NEW DRAWING	01/APR/22	IAN	TOMMY



M5X0.8-6H 8mm(2X) DEEP THREADED INSERT  
 RECOMMENDED TORQUE VALUES: 1.9-2.2 N.m



RECOMMENDED PANEL MOUNTING HOLE  
 RECOMMENDED PANEL THICKNESS: 1.6 TO 4.7MM



NOTES: UNLESS OTHERWISE SPECIFIED

- MATERIAL:  
 HOUSING: THERMOPLASTIC; BLACK  
 SEAL: SILICONE RUBBER  
 THREADED INSERT: STAINLESS STEEL
- MODIFICATIONS: BACKSHELL RING ADAPTER (BRA);  
 REDUCED DIA. WIRE SEAL;  
 SEALED PANEL MOUNT
- SPECIFICATIONS:  
 3.1 OPERATING TEMPERATURE: -55°C TO +125°C.  
 3.2 DIELECTRIC WITHSTANDING VOLTAGE: LESS THAN 2 MILLIAMPS CURRENT LEAKAGE @ 1500 VOLTS AC.  
 3.3 INSULATION RESISTANCE: 1000 MEGOHM MIN @ 25°C.  
 3.4 MOISTURE RESISTANCE:  
 IP68(IM OF WATER FOR A PERIOD OF 24 HOURS, MATED CONDITION);  
 IP69K(MATED CONDITION)  
 3.5 MATING CYCLE DURABILITY: 100 CYCLES  
 3.6 RoHS COMPLIANT
- MATING PART: AHDP06-24-27S\* (\* = SEAL TYPE)
- ALL DIMENSIONS ARE FOR REFERENCE USE ONLY.
- RECEPTACLE IS SUPPLIED WITH DUST CAP (NOT SHOW)

CONTACT SIZE AND WIRE RANGE:

CONTACT SIZE	MIN. INSUL O.D.	MAX. INSUL O.D.	TYPICAL WIRE RANGE	CURRENT RATING
16	1.35 mm (.053 in)	2.62 mm (.103 in)	14-20 AWG (2.0-0.5mm <sup>2</sup> )	13 AMPS
12	2.46 mm (.097 in)	4.01 mm (.158 in)	10-14 AWG (6.0-2.0mm <sup>2</sup> )	25 AMPS

QUANTITY	AHDP02-24-27PR-BRA	DESCRIPTION	ITEM

MATERIALS LIST		
SIGNATURES	DATE	
DRAWN: IAN.XIAO	01/APR/22	<h1>Amphenol</h1> <p>Sine Systems - www.amphenol-sine.com            44724 Morley Drive            Clinton Township, MI 48036</p> <p>27POS,RECEPTACLE,PIN,24SZ,            RD SEAL,BRA,PANELMATE AHDP</p>
CHECKED: SULLEN.ZAHNG	02/APR/22	
ENGINEER:		
APPROVAL: TOMMY.XIE	06/APR/22	
MATERIAL SPECIFICATIONS:		
WEIGHT: 63.5g		
PROCESS SPECIFICATIONS:		
NEXT ASSY:		

SIZE	TYPE	DWG NO.	REVISION
B	C-	AHDP02-24-27PR-BRA	A1
SCALE:	NONE	DURAMATE	SHEET 1 OF 1

TITLE: 27POS,RECEPTACLE,PIN,24SZ,RD SEAL,BRA,PANELMATE AHDP  
 DWG NO: AHDP02-24-27PR-BRA  
 REV: A1  
 SH: 1  
 OF: 1