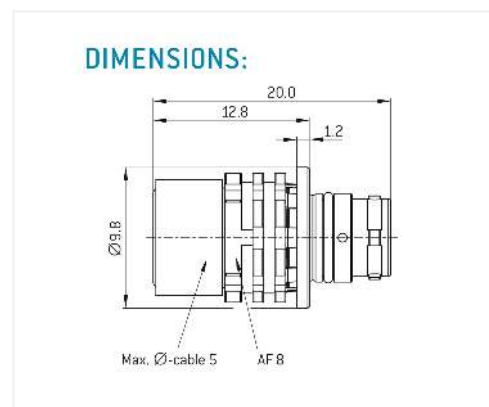
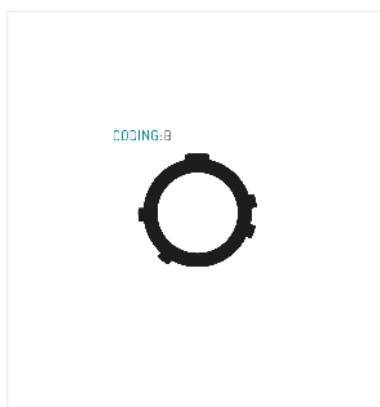


### General information

Part number	A1CWBM-PU4XBMO-0000
Termination	solder
Size	00
Locking principle	break
Coding	b_key_amc
Cable Diameter	cable_amchd_C
Cable outlet	overmolding



### Contact insert description

Number of contacts	4
Contact type	pins
Contact diameter	03mm
Insulator material	peek
Wire cross section	24_awg_28_awg
Termination	solder
Data transmission	usb_2

reverse\_gender\_on\_request

### Technical information

Nominal current single contact	03_a	iec_60512_5_2
Nominal current insert	3 A	vde_0298_4
Test voltage	175_kv_dc	eia_364_20f

safety\_text

## Mechanical and environmental data

Degree of protection*	ipsk8_ip6k9k
Operating temperature	51_125_c
Mating cycles	5000

mated

## Material and surface treatments

Housing	ruthenium
Contact	cu_alloy_gold

data\_text

safety\_text\_2

data\_text

ul\_text

illustrative\_text