

Data sheet

E-DAT modul IP20 surface mounted housing

Page 1/5

P/N

1309450003-E

EAN 4250184112990

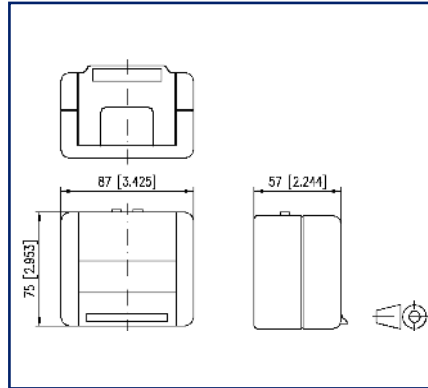
2023/04/24

Version: N

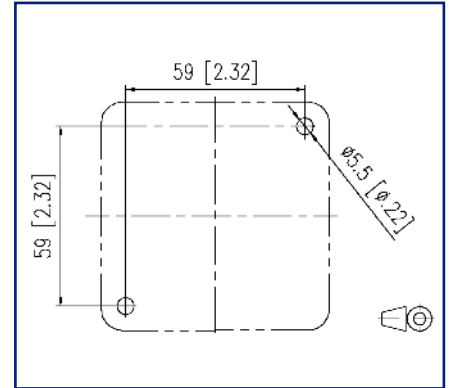
Illustrations



Dimensional drawing



Drill pattern



See enlarged drawings at the end of document

Product specification

- IP20 surface-mounted housing for two individual modules in Modul design
- identical to E-DAT modul IP44 AP but, due to the opening in the housing cover, it remains closed when patch cables are plugged in
- cable feed for one or two cables from the top
- break-proof
- gray color



E-DAT modul IP20 surface mounted housing

P/N

1309450003-E

EAN 4250184112990

2023/04/24

Version: N

Technical Data

General Data

Fields of application	office areas
Mechanical measurement according to MICE	M1
Ingress measurement according to MICE	I1
Climatic measurement according to MICE	C1
Electromagnetic measurement according to MICE	E3
Design	wall outlet
Mounting style	AP
Color	gray
Dimensions	
Dimension (L x W x H)	57 mm x 87 mm x 75 mm
Dimension (L x W x H)	2.244 in. x 3.425 in. x 2.953 in.
Modularity	yes
Labeling option	on housing

Connections/interfaces

Number of ports interface 2	2
Number of ports interface 2 equipped	0
Cable access/outlet	90° from the top

Mechanical data

Cut-out	module
---------	--------

Materials and material properties

Material - Housing	Thermoplastic
Halogen free	yes
RoHS	compliant

Environmental conditions

Particulate ingress	IP2X
Liquid ingress/immersion	IPX0

E-DAT modul IP20 surface mounted housing

P/N

1309450003-E

EAN 4250184112990

2023/04/24

Version: N

Technical Data**Classifications**

ETIM 5.0	EC001264
ETIM 6.0	EC001264
ETIM 7.0	EC001264
ETIM 8.0	EC001264
ETIM 9.0	EC001264

Packing details

Type of packaging	1 pc(s) / box
Packaging unit - Weight (gram)	130 g
Packaging unit - Weight (pound)	0.29 lb
Packaging dimension	115 mm x 93 mm x 90 mm
Packaging dimension	4.528 in. x 3.661 in. x 3.543 in.



P | Cabling

Data sheet

Page 4/5

E-DAT modul IP20 surface mounted housing

P/N

1309450003-E

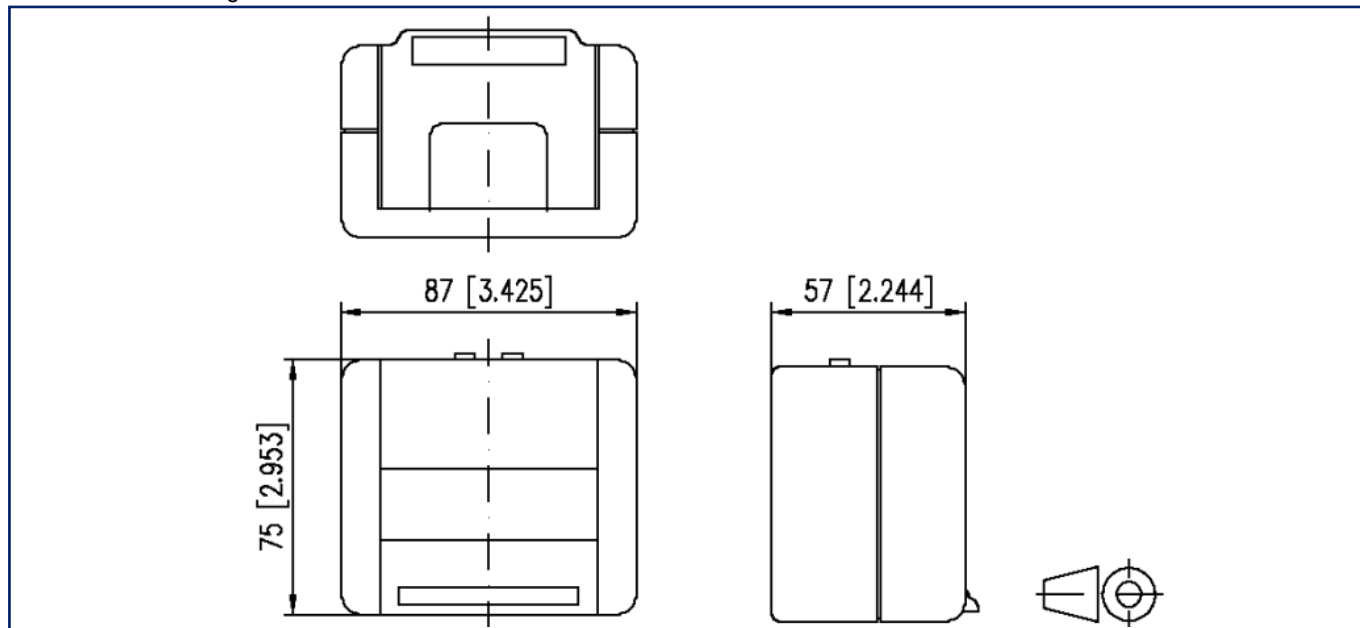
EAN 4250184112990

2023/04/24

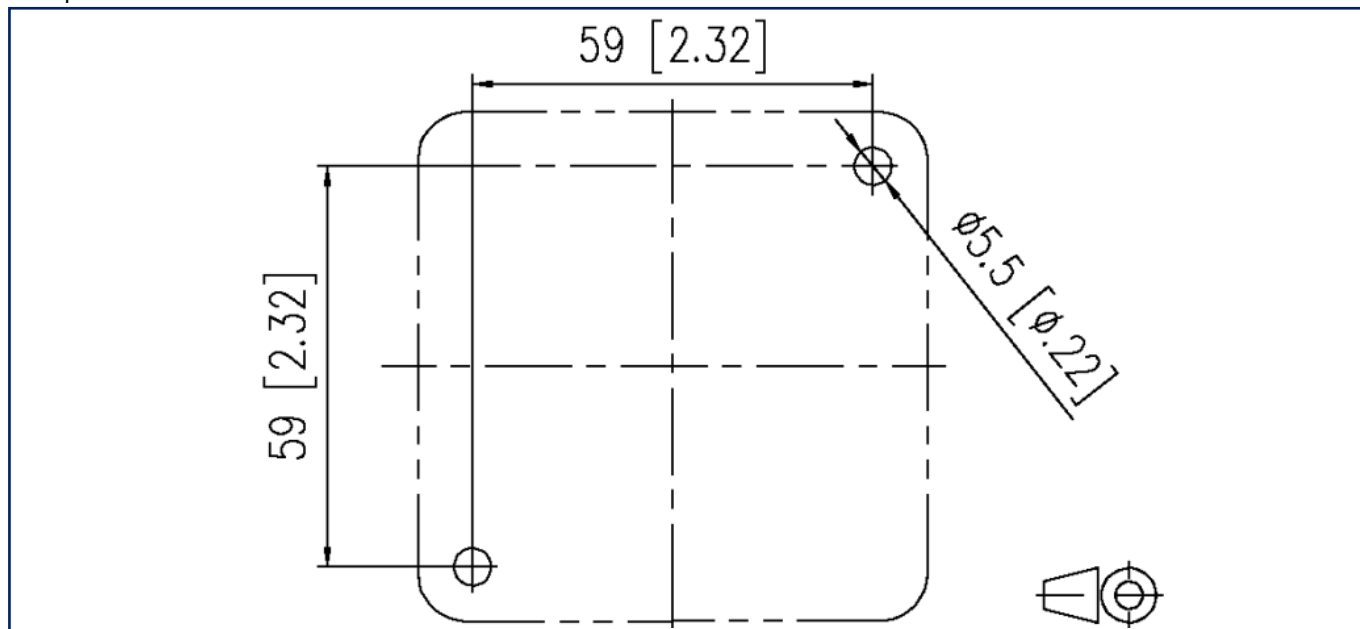
Version: N

Illustrations

Dimensional drawing



Drill pattern



P | Cabling

Data sheet

Page 5/5

E-DAT modul IP20 surface mounted housing

P/N

1309450003-E

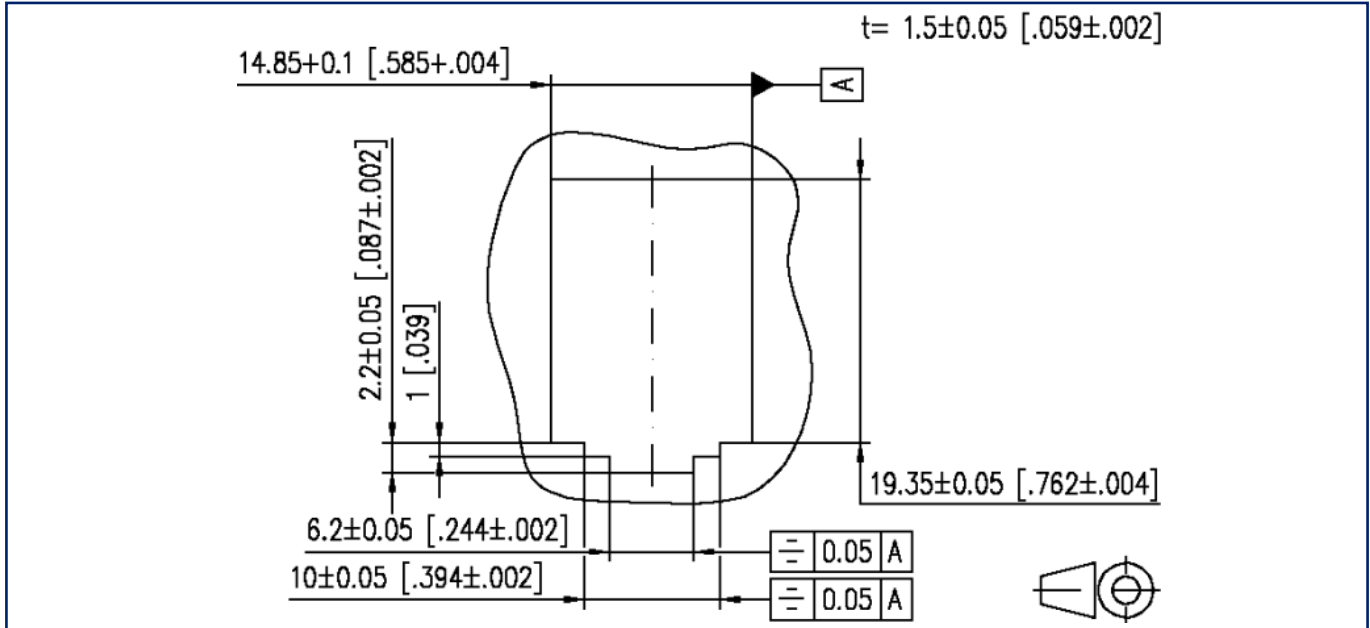
EAN 4250184112990

2023/04/24

Version: N

Illustrations

Cut-out



© 2023 METZ CONNECT - Technische Änderungen vorbehalten! Subject to modifications! Sous réserve de modifications techniques!

