

TECHNICAL SPECIFICATIONS

Material: Plastic (PA), UL94-HB
 Colour: Yellow
 Operating Temperature: -55°C to +110°C
 Thumbscrews: UNC 4-40

No. of contacts: 09-15-25-37-50

Item	QTY	Part description
1	1	Plastic Cover
2	2	EPS 3x8 Self Tapping Screw
3	1	Cable Clamp
4	1	Plastic Insert
5	2	Jackscrews UNC4-40x51mm

RoHS compliant
 Unit: mm

Scale	Free	Date	Name	Customer-No.
TOLERANCE		Drawn	17.08.2017	S.Bölling
0~6	±0.10	Approved	17.08.2017	S.Bölling
6~30	±0.20			
30~120	±0.30			
120~400	±0.50			
DIM	Tol	1	Update Dimension (page 5)	01.04.2019
Angle	±1°	©	Drawn	17.08.2017
Angle	Tol	Id.	Modification	Date



Customer-No.		ASSMANN WSW-No. ACOV-SUB-09NB17
Drawing-No. ASS_5258_CO		
Replace	rev01	Sheet 1/5

1

2

3

4

5

6

7

A

A

B

B

C

C

D

D

E

E

F

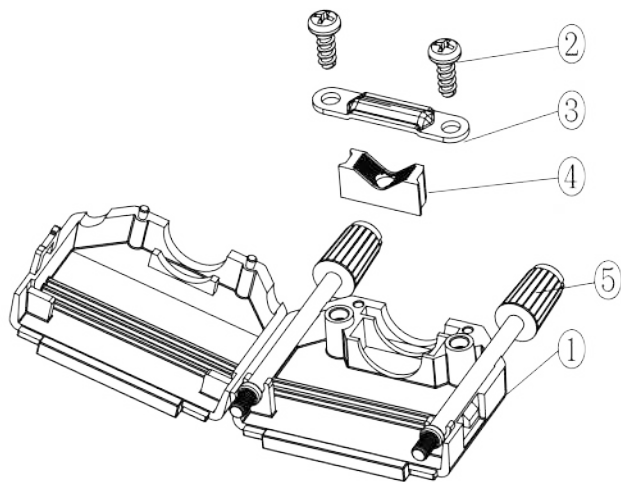
F

G

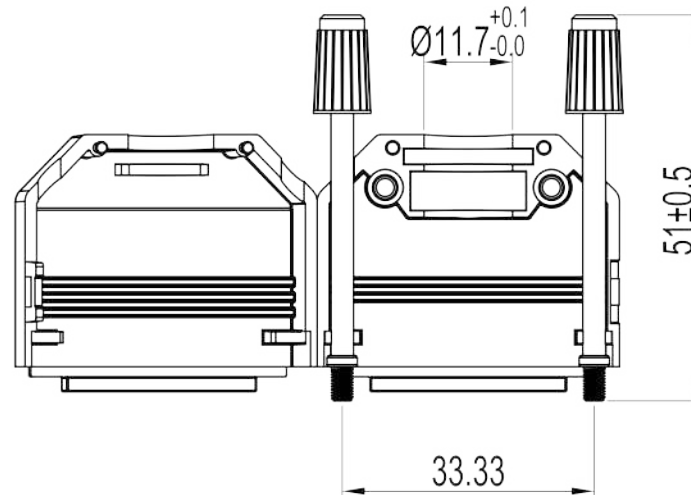
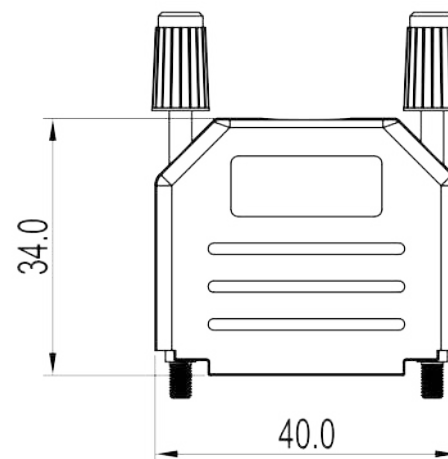
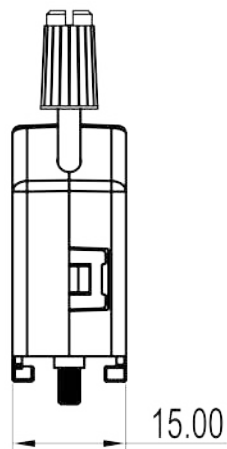
G

H

H



Item	QTY	Part description
1	1	Plastic Cover
2	2	EPS 3x8 Self Tapping Screw
3	1	Cable Clamp
4	1	Plastic Insert
5	2	Jackscrews UNC4-40x51mm



TECHNICAL SPECIFICATIONS

Material: Plastic (PA), UL94-HB
 Colour: Yellow
 Operating Temperature: -55°C to +110°C
 Thumbscrews: UNC 4-40

No. of contacts: 09-15-25-37-50

RoHS compliant
 Unit: mm

Scale	Free				Date	Name	Customer-No.
TOLERANCE					Drawn	17.08.2017	S. Bölling
0~6	±0.10				Approved	17.08.2017	S. Bölling
6~30	±0.20						
30~120	±0.30						
120~400	±0.50	1	Update Dimension (page 5)	01.04.2019	M. Rosander		
DIM	Tol	Ⓞ	Drawn	17.08.2017	S. Bölling		
Angle	±1°						
Angle	Tol	Id.	Modification	Date	Name		

ASSMANN
 WSW components

ASSMANN WSW-No.
ACOV-SUB-15NB17

Drawing-No.
ASS_5258_CO rev01

Replace
 Sheet 2/5

1

2

3

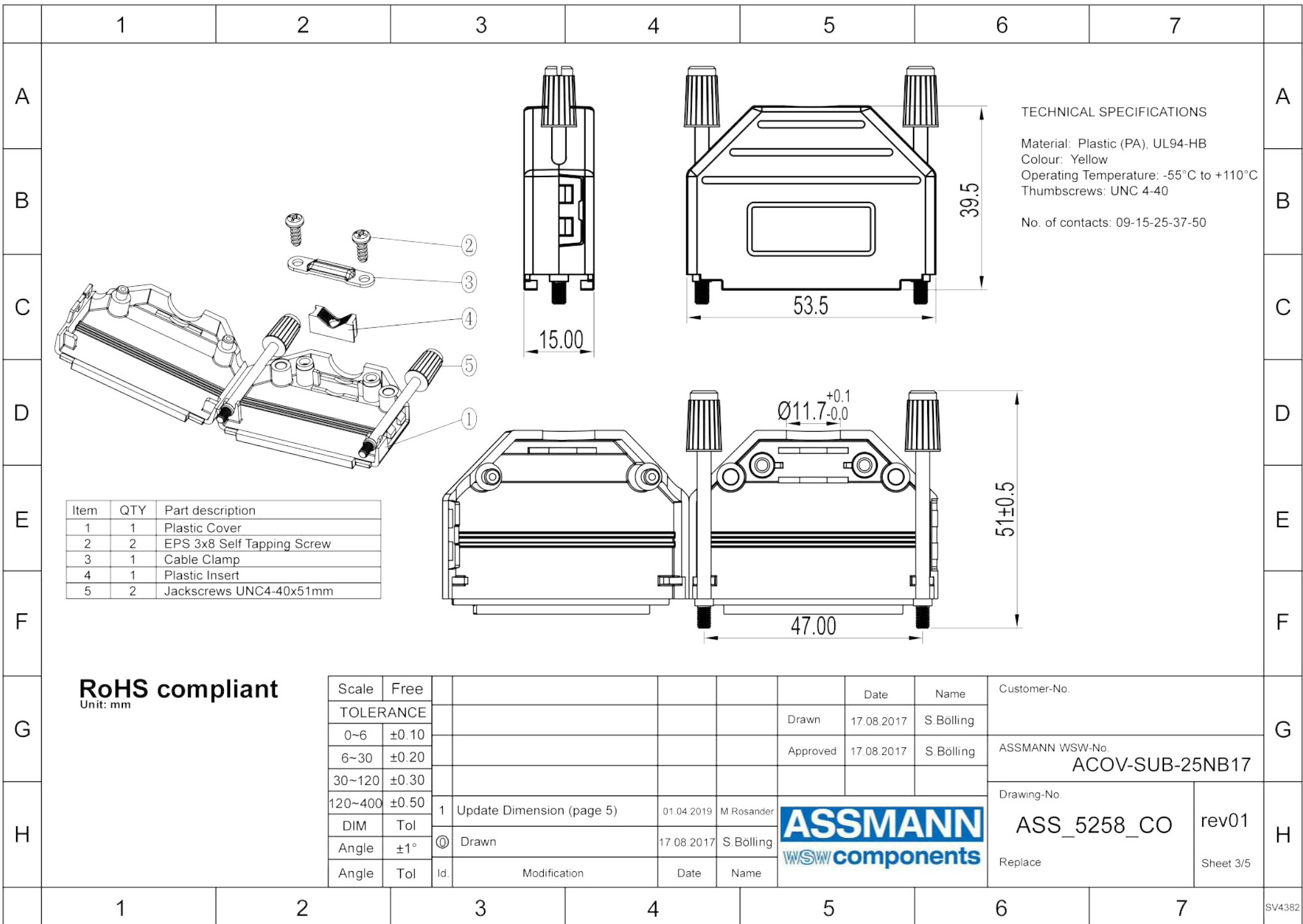
4

5

6

7

SV4382



1

2

3

4

5

6

7

A

B

C

D

E

F

G

H

A

B

C

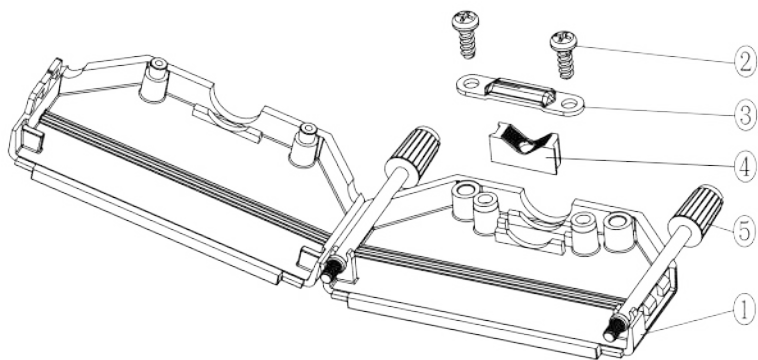
D

E

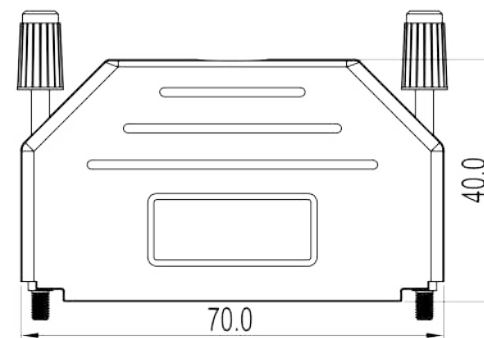
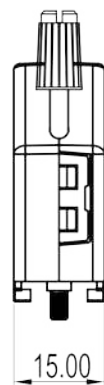
F

G

H



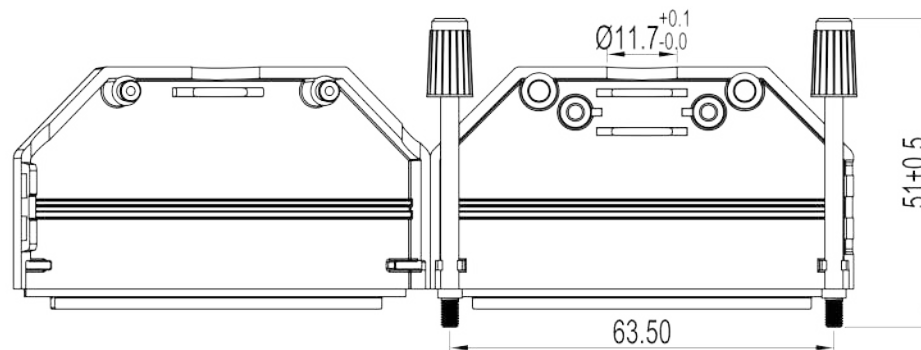
Item	QTY	Part description
1	1	Plastic Cover
2	2	EPS 3x8 Self Tapping Screw
3	1	Cable Clamp
4	1	Plastic Insert
5	2	Jackscrews UNC4-40x51mm




TECHNICAL SPECIFICATIONS

Material: Plastic (PA), UL94-HB
 Colour: Yellow
 Operating Temperature: -55°C to +110°C
 Thumbscrews: UNC 4-40

No. of contacts: 09-15-25-37-50



RoHS compliant
 Unit: mm

Scale	Free					Date	Name	Customer-No.
TOLERANCE						Drawn	17.08.2017	S.Bölling
0~6	±0.10					Approved	17.08.2017	S.Bölling
6~30	±0.20							
30~120	±0.30							
120~400	±0.50	1	Update Dimension (page 5)	01.04.2019	M.Rosander			
DIM	Tol	Ⓞ	Drawn	17.08.2017	S.Bölling			
Angle	±1°							
Angle	Tol	Id.	Modification	Date	Name			

Customer-No.

Drawn

17.08.2017

S.Bölling

Approved

17.08.2017

S.Bölling

ASSMANN WSW-No.

ACOV-SUB-37NB17

Drawing-No.

ASS_5258_CO

rev01

Replace

Sheet 4/5

1

2

3

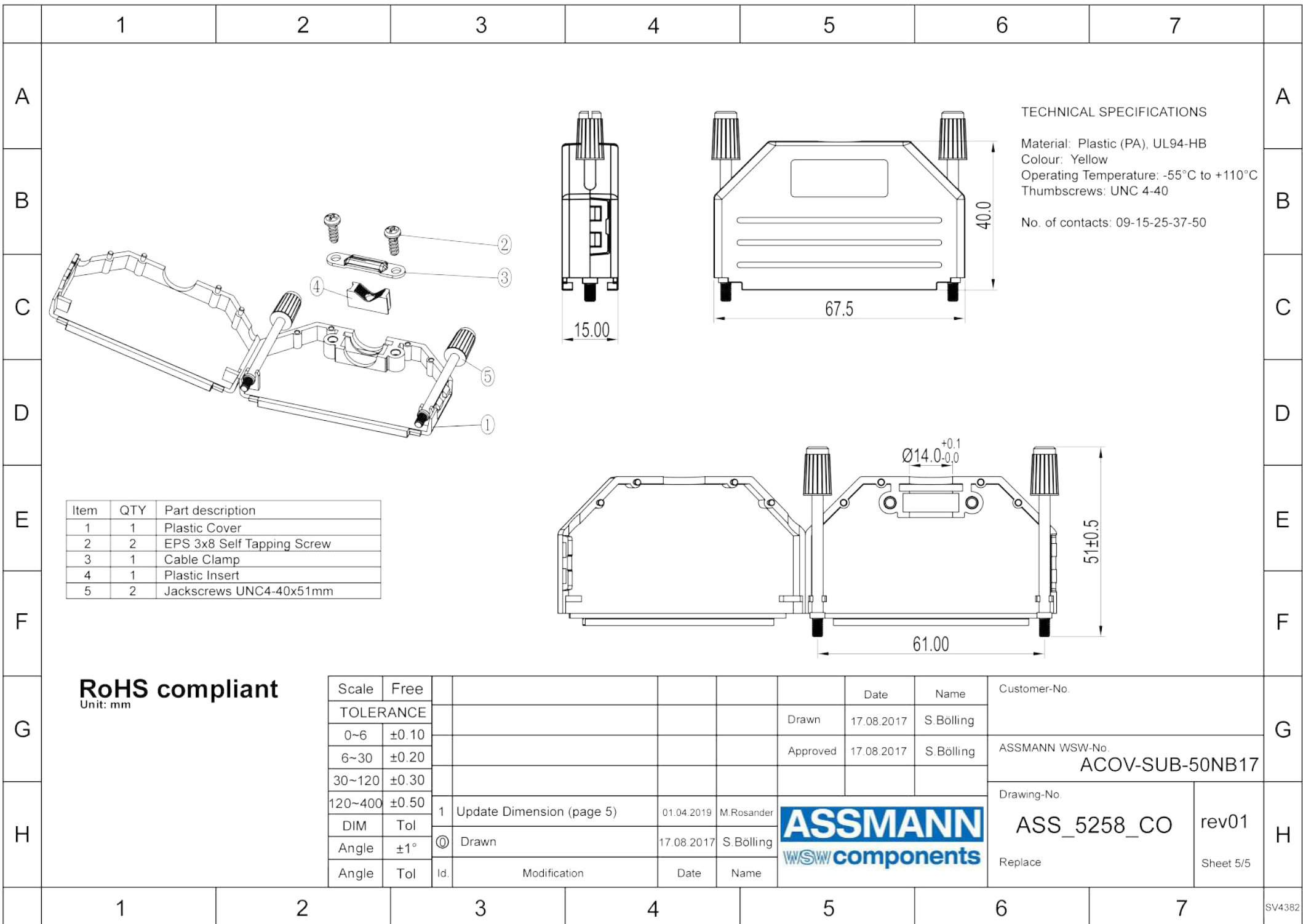
4

5

6

7

SV4382



TECHNICAL SPECIFICATIONS

Material: Plastic (PA), UL94-HB
 Colour: Yellow
 Operating Temperature: -55°C to +110°C
 Thumbscrews: UNC 4-40
 No. of contacts: 09-15-25-37-50

Item	QTY	Part description
1	1	Plastic Cover
2	2	EPS 3x8 Self Tapping Screw
3	1	Cable Clamp
4	1	Plastic Insert
5	2	Jackscrews UNC4-40x51mm

RoHS compliant
 Unit: mm

Scale	Free				Date	Name	Customer-No.
TOLERANCE					Drawn	17.08.2017	S. Bölling
0~6	±0.10				Approved	17.08.2017	S. Bölling
6~30	±0.20						
30~120	±0.30						
120~400	±0.50	1	Update Dimension (page 5)	01.04.2019	M. Rosander		
DIM	Tol	Ⓞ	Drawn	17.08.2017	S. Bölling	ASSMANN WSW components ASS_5258_CO rev01 Replace Sheet 5/5	
Angle	±1°						
Angle	Tol	Id.	Modification	Date	Name		