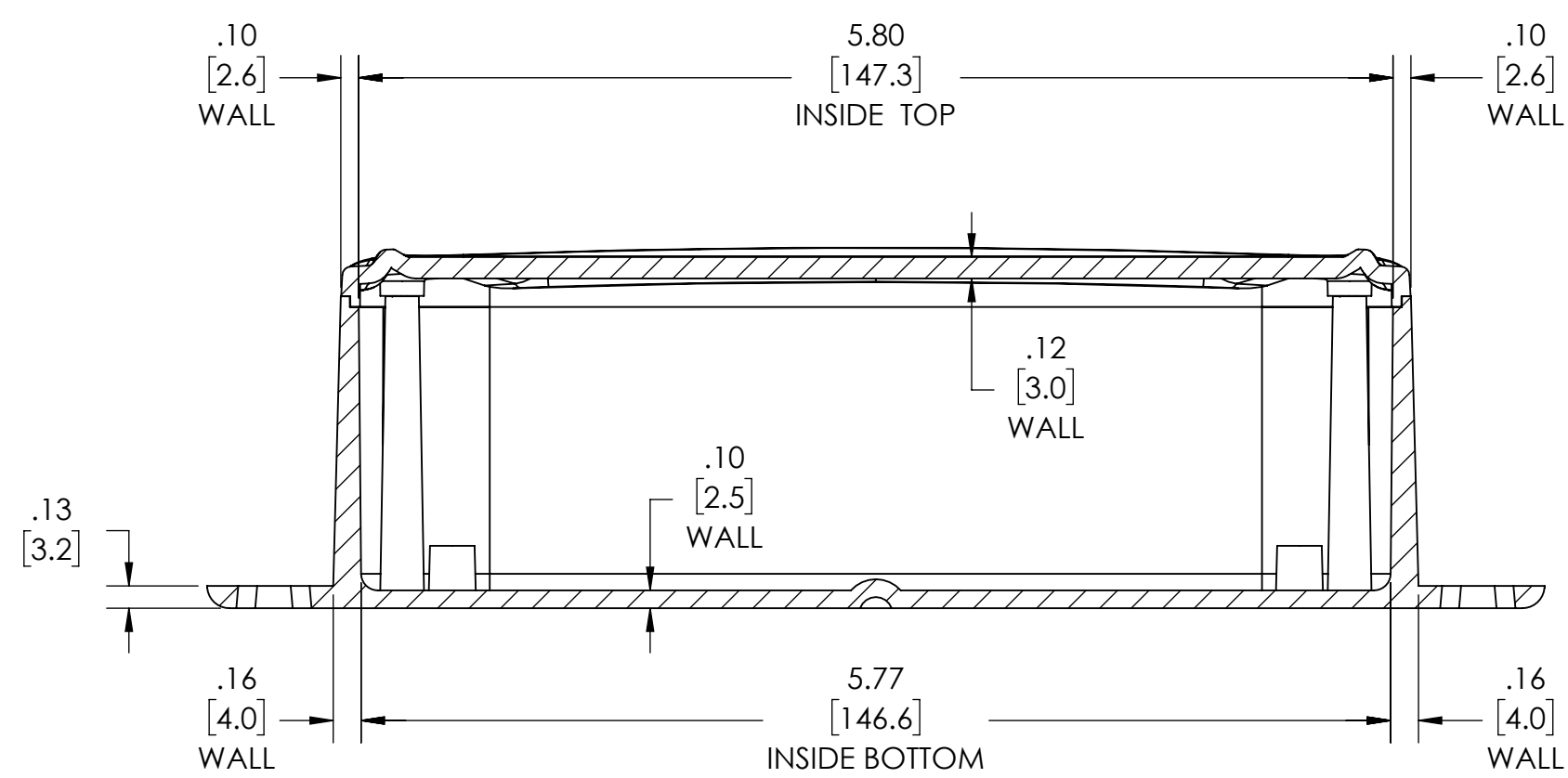
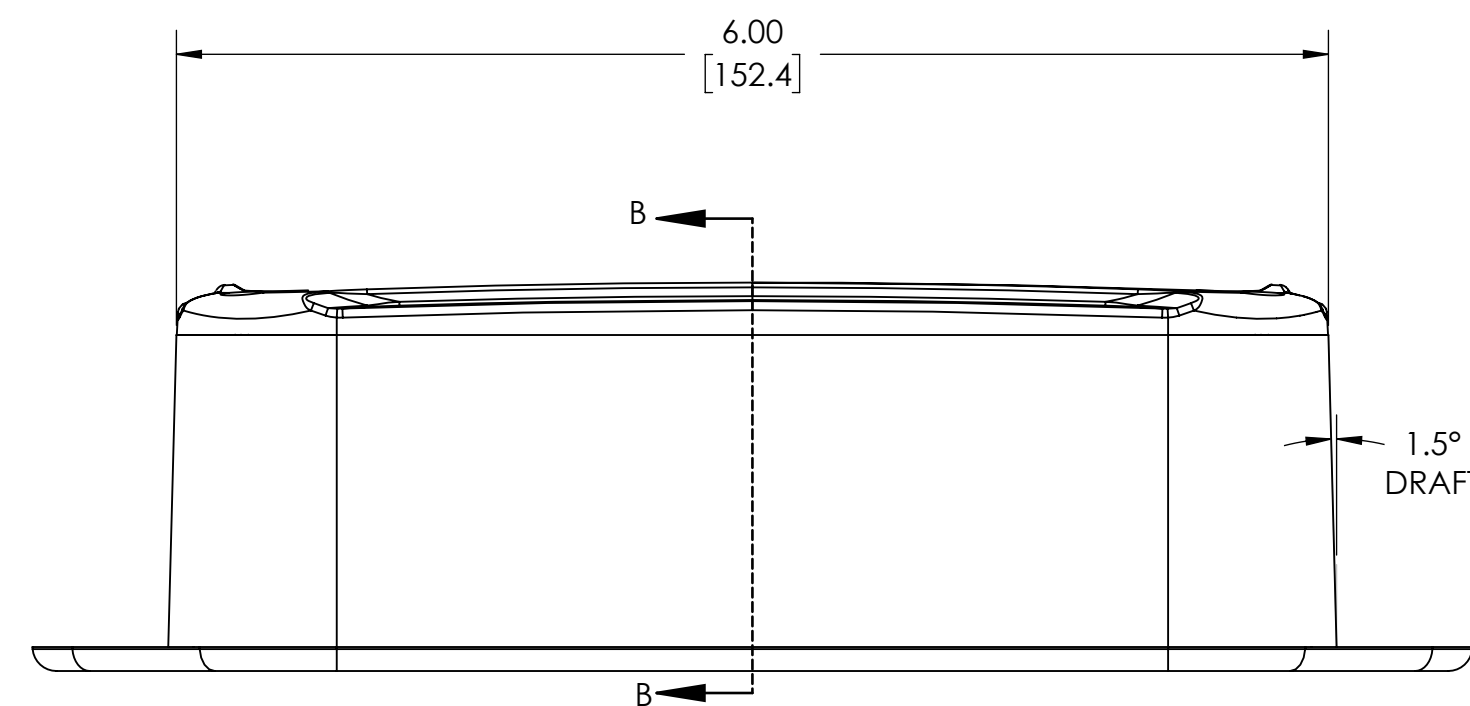
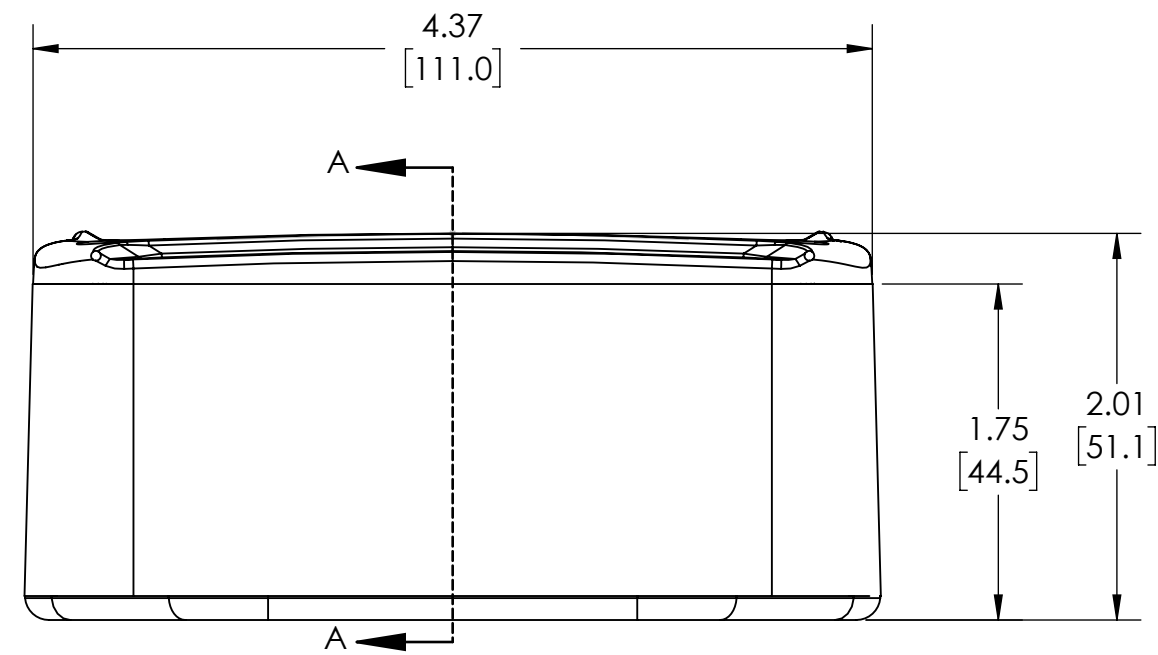
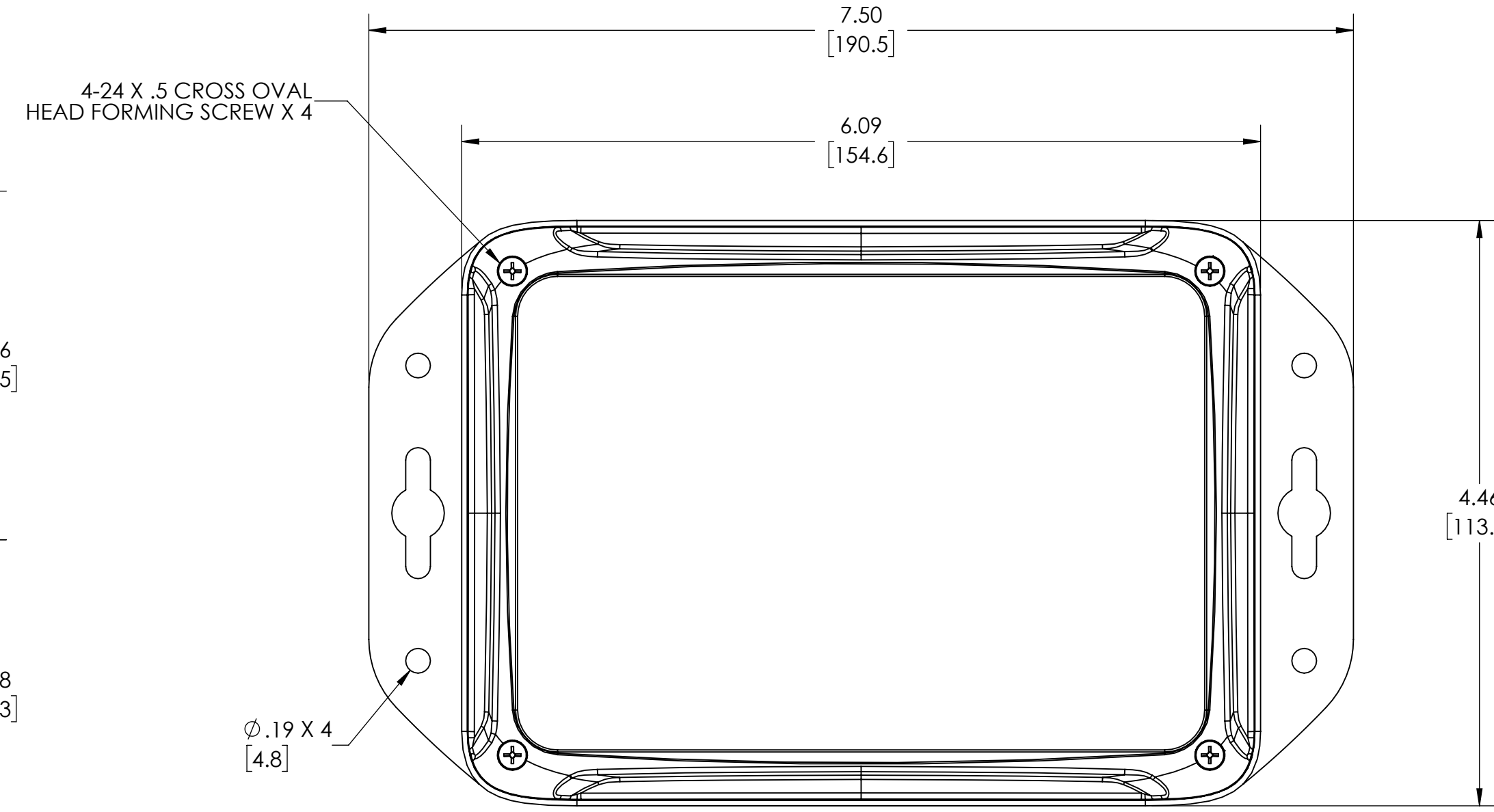
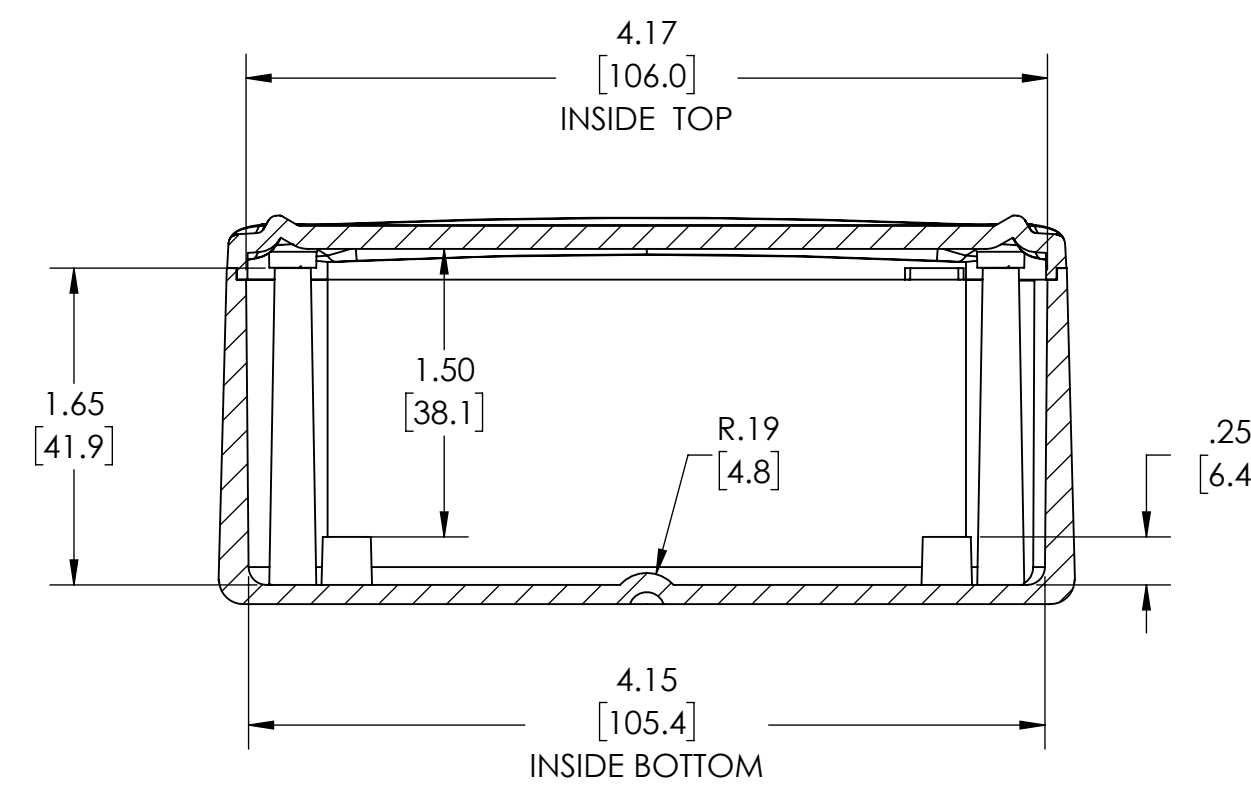


INSIDE VIEW OF BODY  
COVER NOT SHOWN



SECTION A-A

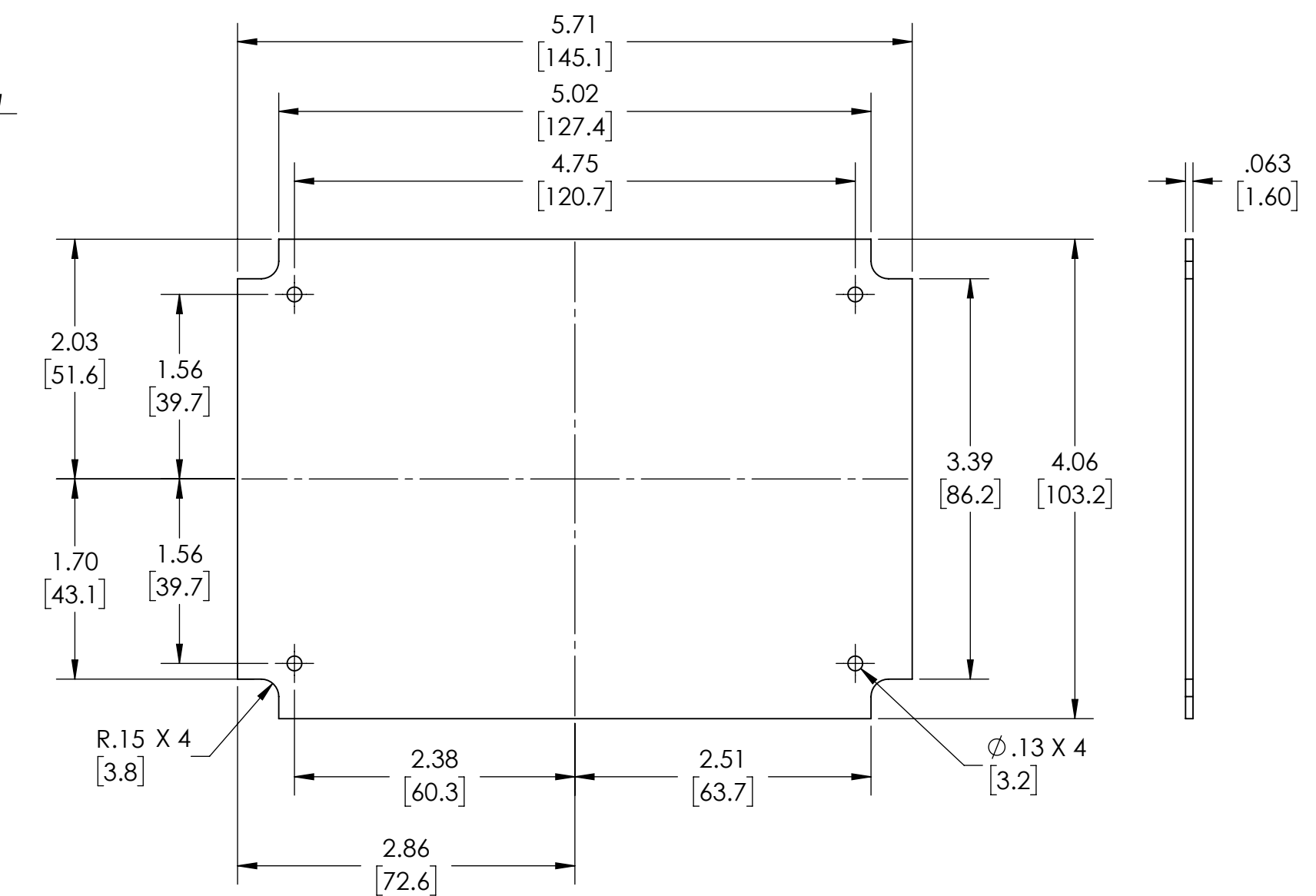


SECTION B-B

NOTES:

1. MATERIAL:  
BODY- BLACK ABS POLYAC PA-765  
COVER- BLACK ABS POLYAC PA-765  
TEXTURED/FLUSH OR RECESSED SMOOTH
2. UL94 VO(1.5mm) AND 5VA (3mm) FLAMMABILITY RATING.
3. COVER IS REMOVABLE
4. DIMENSIONS ARE INCH [MM]

**DRAWING FOR REFERENCE**  
WE RESERVE THE RIGHT TO MAKE CHANGES TO OUR STANDARD PRODUCTS. PLEASE CONSULT WITH BUD INDUSTRIES PRIOR TO USING THIS DRAWING FOR DESIGN PURPOSE.



SUGGESTED PCB LAYOUT

