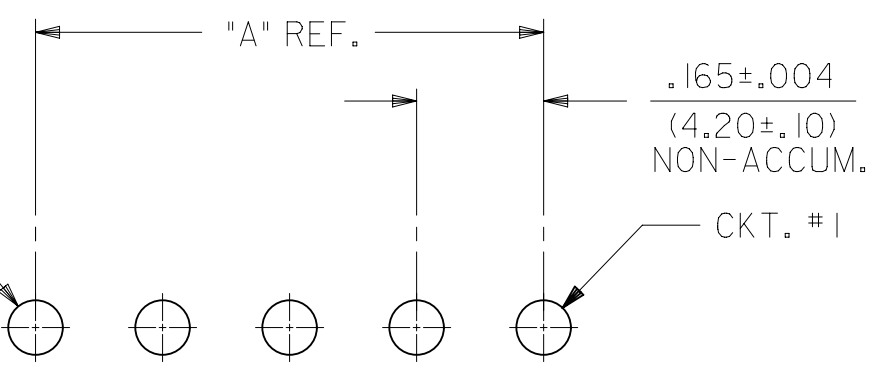
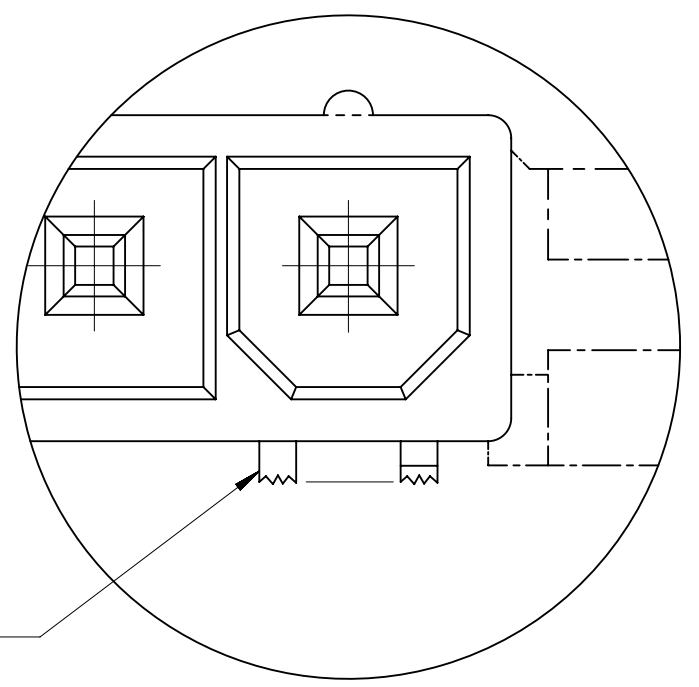
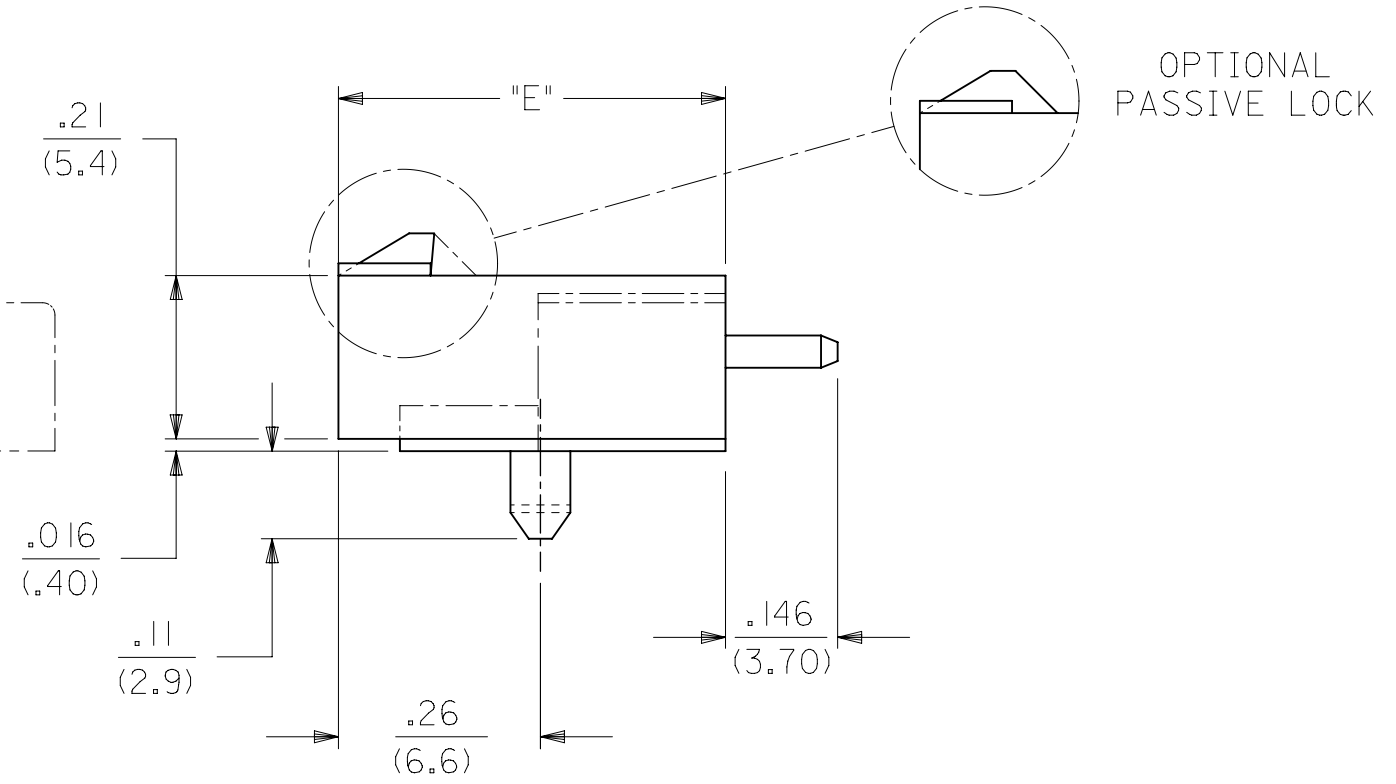
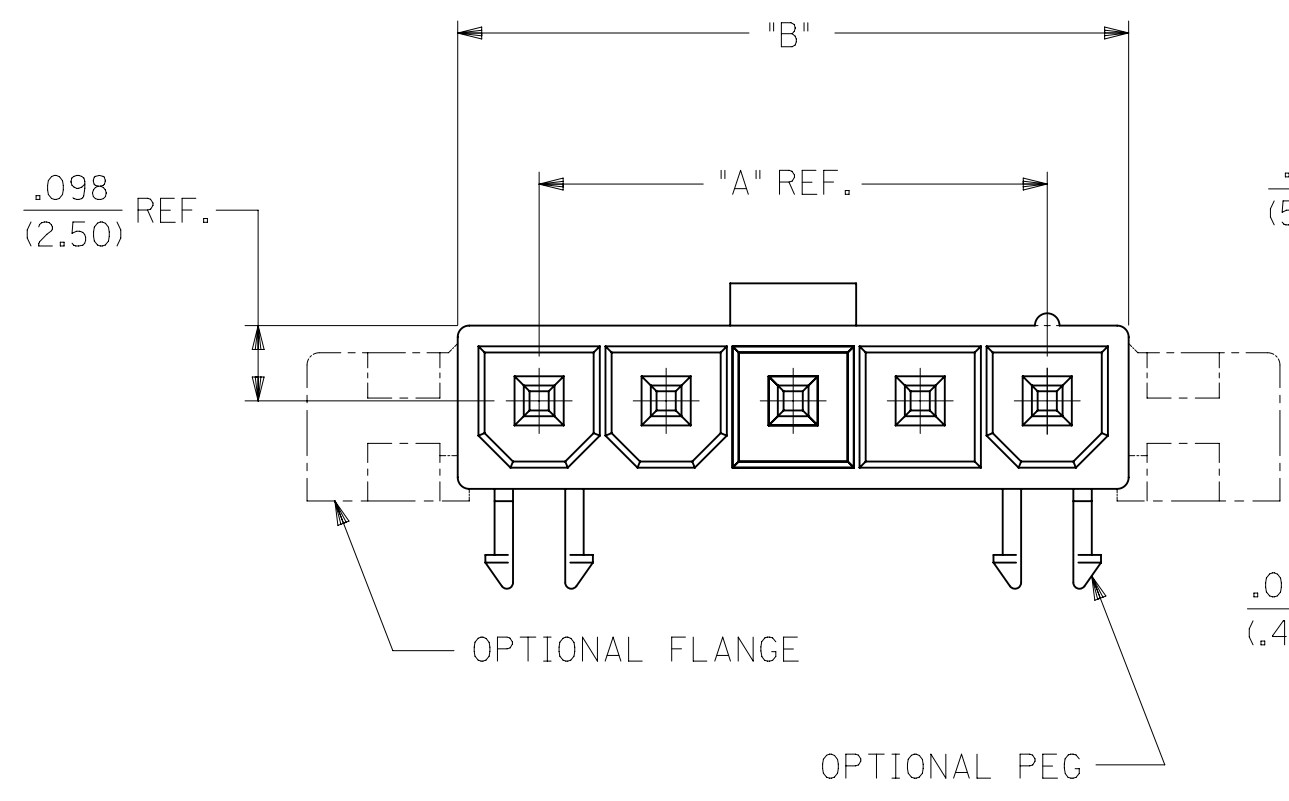


$\frac{.071 \pm .002}{(1.80 \pm .05)}$ DIA.



RECOMMENDED HOLE LAYOUT

RIB INDICATES CIRCUIT #1.



DETAIL A

SHOWING PEG REMOVED OPTION (TYPICAL)

CUT-OFF BURR

CIRCUIT SIZE	DIM. "A"	DIM. "B"	DIM. "C"	DIM. "D"	DIM. "E"
3	$\frac{.331}{(8.40)}$	$\frac{.543}{(13.80)}$	$\frac{.685}{(17.40)}$	$\frac{.937}{(23.80)}$	$\frac{.490}{(12.45)}$
4	$\frac{.496}{(12.60)}$	$\frac{.709}{(18.00)}$	$\frac{.850}{(21.60)}$	$\frac{1.102}{(28.00)}$	$\frac{.504}{(12.80)}$
5	$\frac{.661}{(16.80)}$	$\frac{.874}{(22.20)}$	$\frac{1.016}{(25.80)}$	$\frac{1.268}{(32.20)}$	$\frac{.504}{(12.80)}$
6	$\frac{.827}{(21.00)}$	$\frac{1.039}{(26.40)}$	$\frac{1.181}{(30.00)}$	$\frac{1.433}{(36.40)}$	$\frac{.504}{(12.80)}$
7	$\frac{.992}{(25.20)}$	$\frac{1.205}{(30.60)}$	$\frac{1.346}{(34.20)}$	$\frac{1.598}{(40.60)}$	$\frac{.504}{(12.80)}$
8	$\frac{1.157}{(29.40)}$	$\frac{1.370}{(34.80)}$	$\frac{1.512}{(38.40)}$	$\frac{1.764}{(44.80)}$	$\frac{.504}{(12.80)}$
9	$\frac{1.323}{(33.60)}$	$\frac{1.535}{(39.00)}$	$\frac{1.677}{(42.60)}$	$\frac{1.929}{(49.00)}$	$\frac{.504}{(12.80)}$
10	$\frac{1.488}{(37.80)}$	$\frac{1.701}{(43.20)}$	$\frac{1.843}{(46.80)}$	$\frac{2.094}{(53.20)}$	$\frac{.504}{(12.80)}$
11	$\frac{1.654}{(42.00)}$	$\frac{1.866}{(47.40)}$	$\frac{2.008}{(51.00)}$	$\frac{2.260}{(57.40)}$	$\frac{.504}{(12.80)}$
12	$\frac{1.819}{(46.20)}$	$\frac{2.031}{(51.60)}$	$\frac{2.173}{(55.20)}$	$\frac{2.425}{(61.60)}$	$\frac{.504}{(12.80)}$

NOTES:

- HOUSING MATERIAL:
 - "A" - NYLON 6/6, U.L. 94V-2, COLOR: NATURAL.
 - "B" - NYLON 6/6, U.L. 94V-0, COLOR: NATURAL.
- TERMINAL MATERIAL: BRASS, ALLOY
- TERMINAL PLATING:
 - "A" - .000100/(0.00254) MIN. MATTE TIN OVER .000050/(0.00127) MIN. NICKEL
 - "B" - .000030/(0.00076) MIN. SELECT GOLD AND .000100/(0.00254) MIN. SELECT MATTE TIN OVER .000050/(0.00127) MIN. NICKEL OVERALL
- PRODUCT SPECIFICATION: PS-5556-001
- PACKAGING SPECIFICATION: 432420000-PK
- PART MATES WITH MINI-FIT JR. RECEPTACLE #5557.
- MOUNTING OPTIONS:
 - "1" - PEGS
 - "2" - FLANGES
 - "3" - PEGS REMOVED
- LOCK RAMP STYLES:
 - "1" - POSITIVE LOCK
 - "2" - PASSIVE LOCK
- ITEM NUMBERS PRECEDED BY AN "X" ARE NOT AVAILABLE.
- DISCOLORATION IN THE BANDOLIER CARRIER AREA OF THE PIN IS INHERENT TO THE PLATING PROCESS AND IS DUE TO THE MASKING EFFECT OF THE CARRIER. THIS DISCOLORATION IS IN A NON-FUNCTIONAL AREA OF THE PIN AND WILL NOT AFFECT THE PERFORMANCE OF THE HEADER ASSEMBLY.
- PART CONFORMS TO CLASS "B" REQUIREMENTS OF COSMETIC SPECIFICATION PS-45499-002.

SYMBOLS		THIS DRAWING CONTAINS INFORMATION THAT IS PROPRIETARY TO MOLEX ELECTRONIC TECHNOLOGIES, LLC AND SHOULD NOT BE USED WITHOUT WRITTEN PERMISSION	
$\nabla = 0$	IN/MM	SCALE	CURRENT REV DESC: CHG PK IN NOTE 4
$\nabla = 0$	4 PLACES	4:1	
$\nabla = 0$	3 PLACES		
$\nabla = 0$	2 PLACES		
$\nabla = 0$	1 PLACE		
$\nabla = 0$	0 PLACES		
$\nabla = 0$	ANGULAR TOL		
$\nabla = 0$	DRAFT WHERE APPLICABLE		
$\nabla = 0$	MUST REMAIN WITHIN DIMENSIONS		
GENERAL TOLERANCES (UNLESS SPECIFIED)		EC NO: 167199	
		DRWN: AZAHIROVIC 2018/02/09	
		CHK'D: JBELL 2018/02/27	
		APPR: FSMITH 2018/03/09	
		INITIAL REVISION:	
		DRWN: NNGUYEN 2012/01/24	
		APPR: FSMITH 2012/02/02	
		THIRD ANGLE PROJECTION	DRAWING SERIES
			C-SIZE 43242
		MATERIAL NUMBER	CUSTOMER
		SEE SHEET 2	GENERAL MARKET
		DOCUMENT NUMBER	DOC TYPE DOC PART REVISION
		432420000-SD	PSD 000 A
		SHEET NUMBER	1 OF 2

ITEM NO.	CKT. SIZE	CHARACTERISTIC DESCRIPTION	MOUNTING OPTION	PLATING	LETTER INDICATES PLATING AT EACH CKT., SEE NOTE 5											
					1	2	3	4	5	6	7	8	9	10	11	12
43242-0005	03	03B3A1	PEGS REMOVED	A	A	A	A	-	-	-	-	-	-	-	-	-
43242-0006	04	04B3A1	PEG REMOVED	A	A	A	A	A	-	-	-	-	-	-	-	-

CHARACTERISTICS LEGEND:

CIRCUIT SIZE (03-12) ***

HOUSING MATERIAL **

"A" = NYLON 6/6, U.L. 94V-2, COLOR: NATURAL
 "B" = NYLON 6/6, U.L. 94V-0, COLOR: NATURAL *

MOUNTING OPTION *

1 = PEGS
 2 = FLANGES
 3 = PEGS REMOVED

PLATING COMBINATION *

"A" = MATTE TIN
 "B" = SELECT GOLD

LOCK RAMP STYLE *

1 = POSITIVE LOCK
 2 = PASSIVE LOCK

SYMBOLS	THIS DRAWING CONTAINS INFORMATION THAT IS PROPRIETARY TO MOLEX ELECTRONIC TECHNOLOGIES, LLC AND SHOULD NOT BE USED WITHOUT WRITTEN PERMISSION											
	DIMENSION UNITS	SCALE		CURRENT REV DESC: CHG PK IN NOTE 4								
= 0	IN/MM	1:1		EC NO: 167199 DRWN: AZAHIROVIC 2018/02/09 CHK'D: JBELL 2018/02/27 APPR: FSMITH 2018/03/09								
= 0	GENERAL TOLERANCES (UNLESS SPECIFIED)											
= 0		MM	INCH	INITIAL REVISION: DRWN: NNGUYEN 2012/01/24 APPR: FSMITH 2012/02/02								
= 0	4 PLACES	±	±									
= 0	3 PLACES	±	± 0.015	PRODUCT CUSTOMER DRAWING DOCUMENT NUMBER: 432420000-SD DOC TYPE: PSD DOC PART: 000 REVISION: A								
= 0	2 PLACES	± 0.38	±									
= 0	1 PLACE	±	±	MATERIAL NUMBER: SEE SHEET 2 CUSTOMER: GENERAL MARKET SHEET NUMBER: 2 OF 2								
= 0	0 PLACES	±	±									
= 0	ANGULAR TOL	± 0.5 °		THIRD ANGLE PROJECTION DRAWING: C-SIZE SERIES: 43242								
= 0	DRAFT WHERE APPLICABLE MUST REMAIN WITHIN DIMENSIONS											