

THIS DRAWING IS UNPUBLISHED.

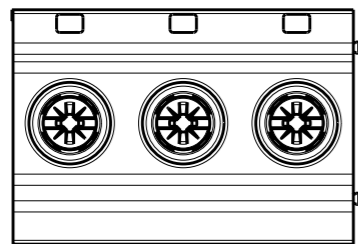
RELEASED FOR PUBLICATION

2011

© COPYRIGHT 2011

ALL RIGHTS RESERVED.

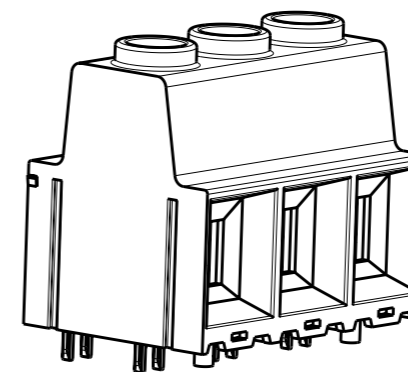
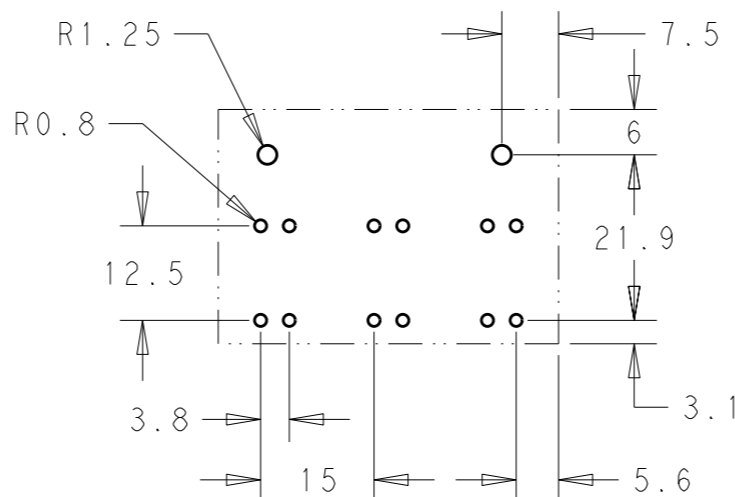
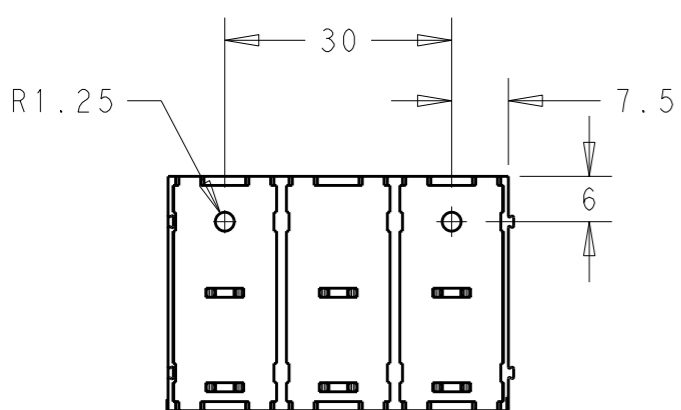
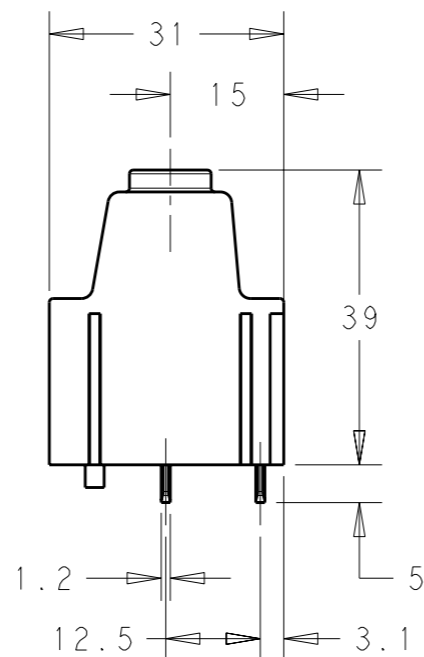
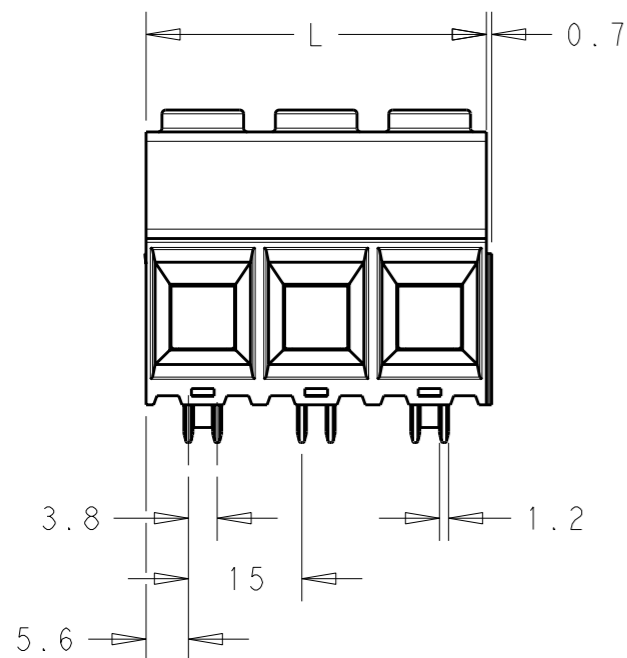
LOC	DIST	REVISIONS					
		P	LTR	DESCRIPTION	DATE	DWN	APVD
AI	-		B	REVISED PER ECO-12-005569	22MAR2012	HRY	MS



MATERIALS:
 HOUSING-POLYAMIDE, COLOR-GREEN
 SCREW- M5,NICKEL PLATED STEEL.
 CLAMP- TIN PLATED STEEL.
 PIN-TIN OVER NICKEL PLATED COPPER ALLOY.

MECHANICAL:
 PCB THICKNESS-2.40 MAX
 PCB HOLE DIAMETER-1.60 MIN
 STRIP LENGTH-18 MM
 OPERATING TEMPERATURE--40°C TO +110°C
 TORQUE-2.1~2.5 Nm.

ELECTRICAL:
 WIRE RANGE- 20 TO 1 AWG
 VOLTAGE RATING- 600 VOLTS
 CURRENT RATING-130 AMP FIELD WIRING; 135 AMP FACTORY WIRING
 CONTACT RESISTANCE-15 MILLOHM MAX
 INSULATION RESISTANCE-10⁹ OHMS MIN (500V DC)

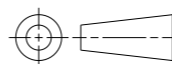


SCALE 1:1
 -3 AS SHOWN

180.00	12	1-1986714-2
165.00	11	1-1986714-1
150.00	10	1-1986714-0
135.00	9	1986714-9
120.00	8	1986714-8
105.00	7	1986714-7
90.00	6	1986714-6
75.00	5	1986714-5
60.00	4	1986714-4
45.00	3	1986714-3
30.00	2	1986714-2
DIM L	POLE	PART NUMBER

THIS DRAWING IS A CONTROLLED DOCUMENT.

DIMENSIONS:
mm



TOLERANCES UNLESS OTHERWISE SPECIFIED:

0 PLC	±
1 PLC	±0.40
2 PLC	±0.20
3 PLC	±
4 PLC	±
ANGLES	±1°

MATERIAL

FINISH

DWN 05SEP2011 RAGHAVENDRA

CHK 05SEP2011 SARVER MICHAEL

APVD 05SEP2011 SARVER MICHAEL

PRODUCT SPEC

APPLICATION SPEC

WEIGHT

CUSTOMER DRAWING



NAME
 POWER TERMINAL BLOCK, SOLDERABLE
 UP TO 275DEG C DOUBLE PIN MODULAR 02 - 12 POLES
 PITCH 15.00mm WITH PEG

SIZE	CAGE CODE	DRAWING NO	RESTRICTED TO
A3	00779	C-1986714	-

SCALE	SHEET	OF	REV
1:1	1	1	B