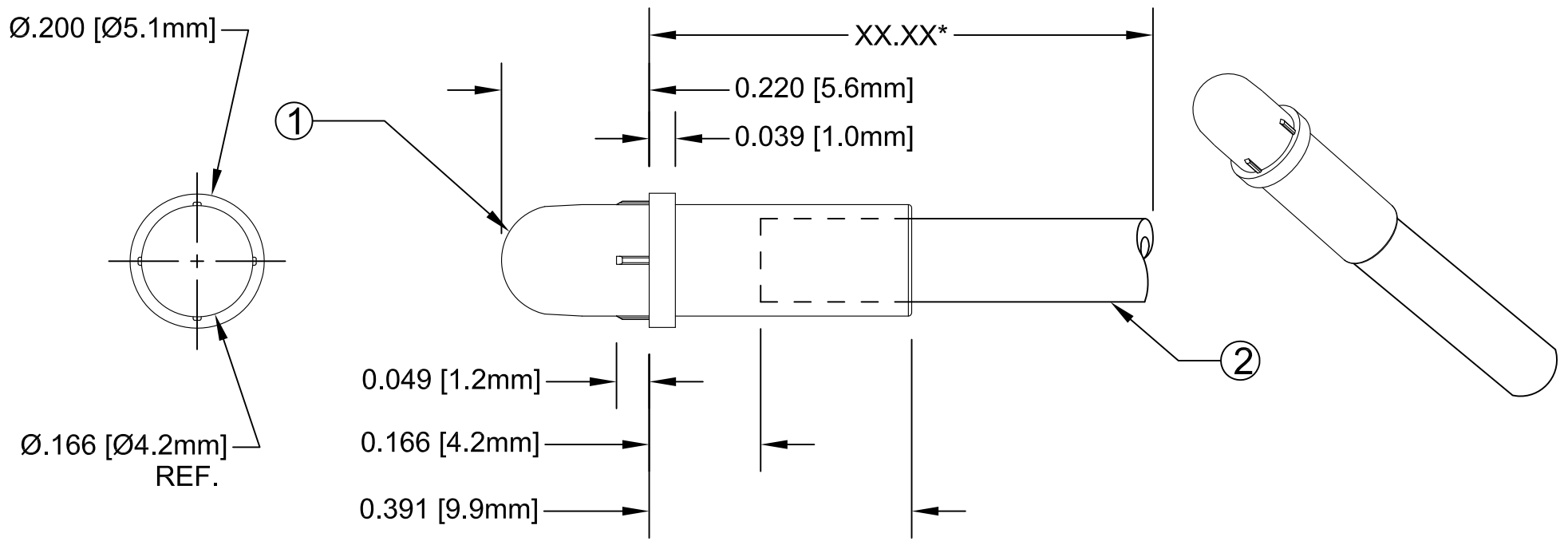


| ITEM | Q'TY | PART NUMBER | PART DESCRIPTION |
|------|------|---------------|--|
| 1 | 1 | FLP-P4-D | LENS CAP, FLEXIBLE LIGHT-PIPE, DOME |
| 2 | 1 | FLPS2031-XX.X | 2mm LIGHT PIPE CABLE, CUT LENGTH IN INCHES |

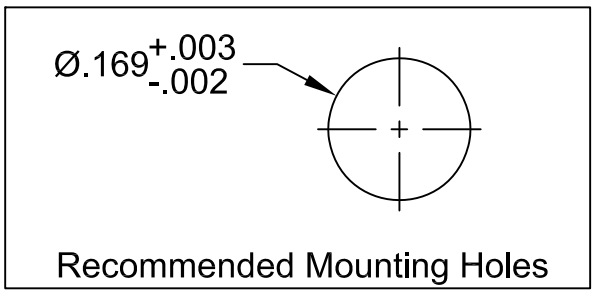
| REV. | DESCRIPTION | DATE | APPROVED |
|------|---------------------|----------|----------|
| A | Engineering Release | 04/20/12 | T. Y. |
| | | | |
| | | | |
| | | | |
| | | | |



| *Length "XX.XX" | Tolerance |
|-----------------|-----------|
| 2.50" ~ 16.00" | ±0.050" |
| 16.25" ~ 40.00" | ±0.15" |
| 40.25" ~ 80.00" | ±0.30" |
| 80.25" ~ 500.0" | ±0.5% |

EXAMPLE:
PM4-D2031-6.50

Series ————— Fiber Length in
0.25" Increments



| | | | |
|--|--------------------------|--|-----------------------|
| STANDARD TOLERANCE (UNLESS OTHERWISE SPECIFIED) | | BIVAR ® | |
| DECIMALS | ANGULAR | 4 THOMAS, IRVINE, CA. 92618 | |
| .X ±.1 | X° ± 1° | TEL: (949) 951-8808 FAX: (949) 951-3974 | |
| .XX ±.02 | | TITLE: 4mm Domed Lens Flexible Light Pipe FLPS2031 Indicators | |
| .XXX ±.010 | | REVISION: A | |
| DESIGNED: Ty Yin | DATE: 04/20/12 | PART NO: PM4-D2031-XX.XX | REVISION: A |
| CHECKED: B. Ollver | DATE: 04/20/12 | CAGE CODE : 32559 | SHEET # 1 OF 1 |
| CAD GENERATED DOCUMENT. DO NOT MEASURE DRAWING. | | | |