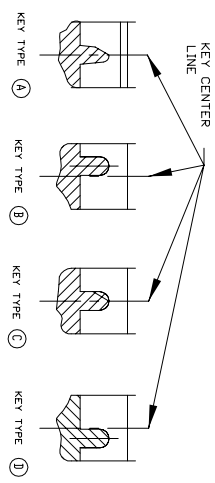
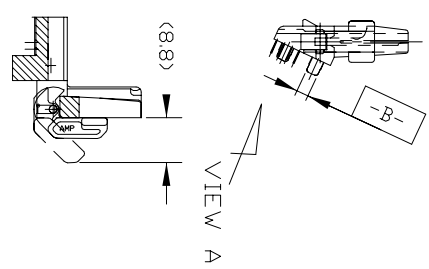


- NOTES:
- △ MATERIAL/HOUSING & EJECTOR LEVER: L.C.P.HIGH TEMP THERMO PLASTIC) UL 94V-0/NATURAL (LEVER/BLACK) CONTACT:PHOS-BRZ
 - △ FINISH:CONTACT AREA:0.0003 MIN GOLD ON 0.0013 MIN ALL OVER NICKEL. SOLDERING AREA:0.001 MIN TIN.
 - 3. MODULE KEY POSITION OF CONNECTOR SEE TABLE.



KEYING TYPE
SECT W-W & SECT V-V
(SCALE 2-1)

NO.	REMARKS	CIRCUIT	POSITION	PART NO.	
3	RESERVED 5.0V	CIRCUIT NO.84,168 SIDE	(D)	168	2-5353476-1
	RESERVED 3.3V	CIRCUIT NO.84,168 SIDE	(D)		1-5353476-1
	RESERVED 5.0V	CIRCUIT NO.84,168 SIDE	(D)		1-5353476-1
	RESERVED 3.3V	CIRCUIT NO.84,168 SIDE	(D)		1-5353476-1
2.6	RESERVED 5.0V	CIRCUIT NO.185 SIDE	(D)	168	5353476-1
	RESERVED 3.3V	CIRCUIT NO.185 SIDE	(D)		5353476-1
	RESERVED 5.0V	CIRCUIT NO.185 SIDE	(D)		5353476-1
	RESERVED 3.3V	CIRCUIT NO.185 SIDE	(D)		5353476-1

Copyright © 1996 Tyco Electronics AMP KK. ALL RIGHTS RESERVED.

tyco Electronics Tyco Electronics AMP KK. Kawasaki, Japan

(WIRE RANGES) (INSULATION DIA) (NAME)

(MATERIAL) (FINISH) (GENERAL TOLERANCES)

LDW PROFILE M64 CARD EDGE CONNECTOR, SLANT(25°) TYPE, (FOR 8 BYTE DIMM RESERVED TYPE)

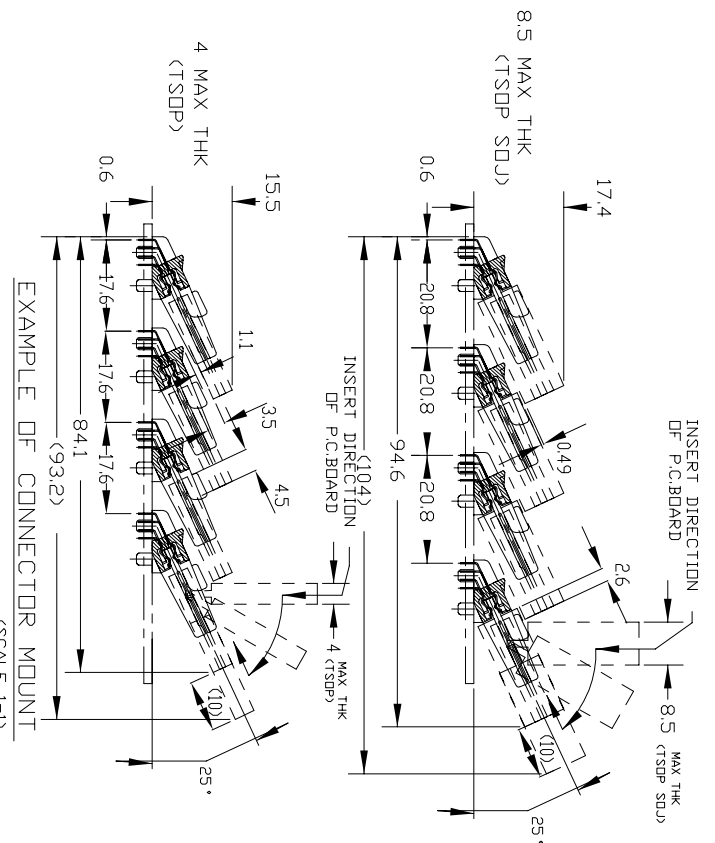
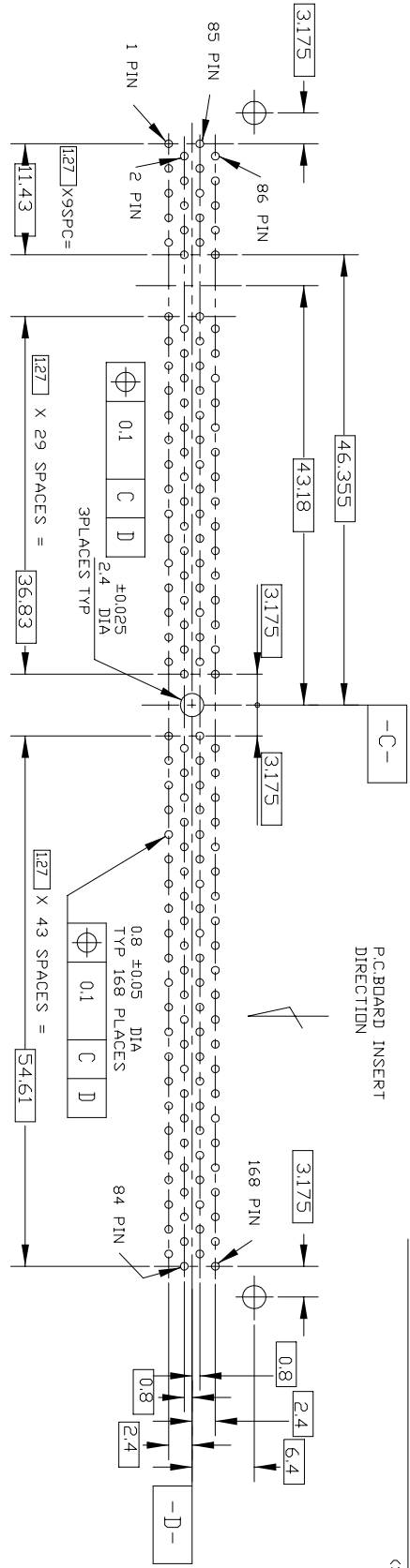
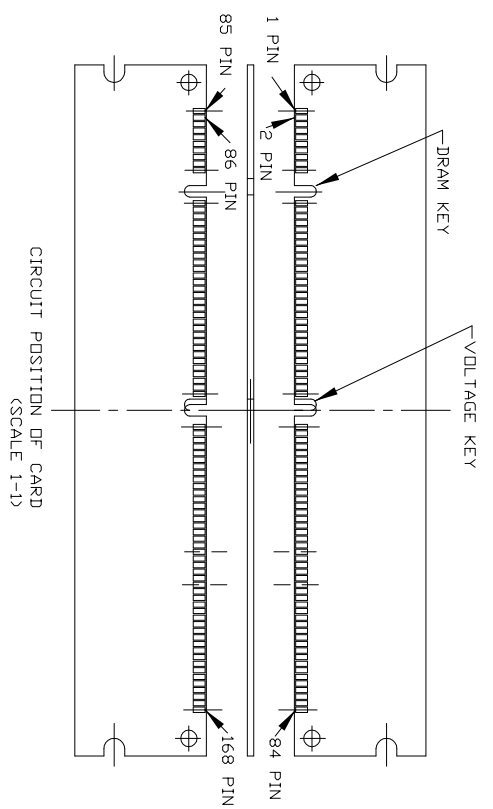
(GENERAL TOLERANCES) (SCALED) (REV) (SHEET)

0.10 ±0.2 1-1 (NO) C-5353476

0.20 ±0.3 0 (REV) 1 OF 3

0.30 ±0.3 0 (REV) 1 OF 3

LTR	DR	CHK	DATE	CHK	DATE	CHK	DATE
0	RELEASED	ECR-05-001352	20-APR-05	LEO ZHOU	20-APR-05	STEVEN YAO	20-APR-05



RECOMMENDED P.C. BOARD HOLE LAYOUT
(CONNECTOR MOUNTING SIDE)

P.C. BOARD THK 1.6 ±0.1

SEE SHEET 1 OF 3

LTR	(REVISION RECORDED)	DR	CHK	DATE	CHK

(MATERIAL)	(WIRE RANGES)	(INSULATION DIA)	(NAME)
			LDW PROFILE M64 CARD EDGE CONNECTOR, SLANT(25°) TYPE. (FOR 8 BYTE DIMM RESERVED TYPE)

(GENERAL TOLERANCES)	(SCALE)	(REV.)	(SHEET)
±0.1 ±0.2 ±0.25 ±0.3 ±0.5	B J 2-1	0	2 OF 3

Copyright © 1996
Tyco Electronics AMP KK.
ALL RIGHTS RESERVED.

tyco
Electronics
Tyco Electronics AMP KK.
Kawasaki, Japan

